

1967

TRIUMPH

**REPLACEMENT
PARTS**

CATALOGUE No. 5

UNIT CONSTRUCTION 650 c.c. TWINS

TR6 TROPHY

T120 BONNEVILLE 120

From engine No. DU 44394

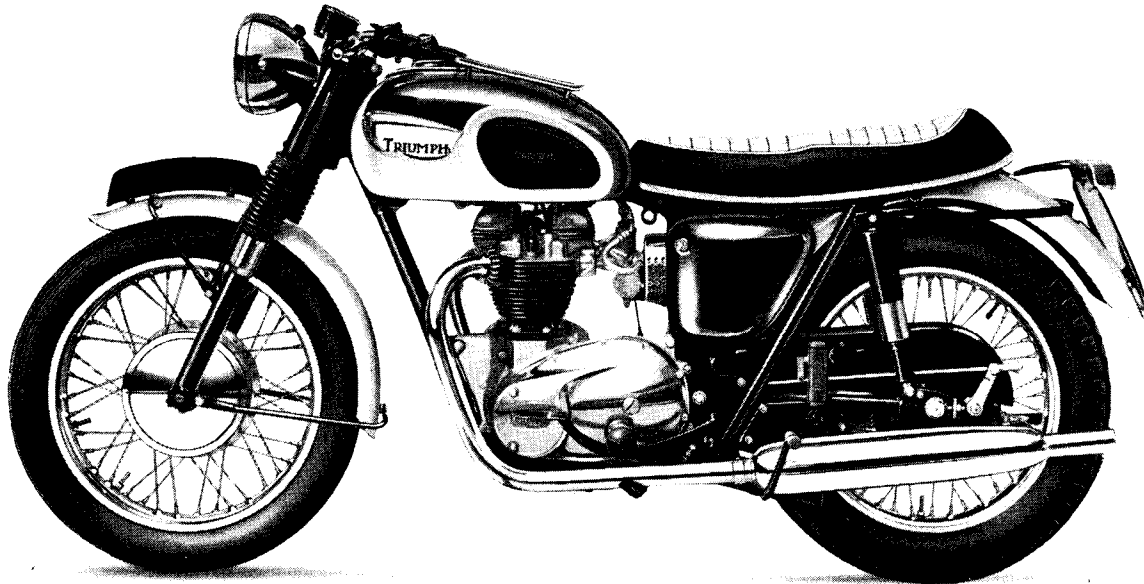
TRIUMPH ENGINEERING COMPANY LIMITED
MERIDEN WORKS · ALLESLEY · COVENTRY · ENGLAND
TELEPHONE MERIDEN 331 **TELEGRAMS "TRUSTY COVENTRY"**

ILLUSTRATION INDEX

Fig. No.	Description	Page No.
1	CRANKSHAFT AND CONNECTING RODS	16
2	CRANKCASE	18
3	OIL PUMP, RELEASE VALVE, MANIFOLD AND TAPPETS	20
4	CYLINDER BLOCK AND HEAD, TR6	22
5	CYLINDER BLOCK AND HEAD, T120	24
6	TIMING COVER AND CONTACT BREAKER	26
7	GEARBOX INNER COVER AND SELECTORS	28
8	GEARBOX SHAFTS AND GEARS	30
9	GEARBOX OUTER COVER	32
10	CLUTCH	34
11	CHAINCASE AND CHAINS	36
12	FRAME	38
13	SWINGING FORK AND SUSPENSION UNITS	40
14	ENGINE UNIT FITTINGS AND FOOTRESTS	42
15	EXHAUST PIPES AND SILENCERS	44
16	EXHAUST PIPES AND MUFFLERS (U.S.A.)	46
17	TELESCOPIC FRONT FORK	48
18	TELESCOPIC FRONT FORK, U.S.A. TR6C AND T120TT	50
19	FRONT WHEEL, TR6 AND U.S.A. T120	52
20	REAR WHEEL	54
21	QUICKLY DETACHABLE REAR WHEEL	56
22	PETROL (GAS) TANKS	58
23	OIL TANK	60
24	BATTERY CARRIER AND AIR FILTERS	62
25	PANEL AND TWINSEAT	64
26	MUDGUARDS (FENDERS U.S.A.)	66
27	HANDLEBARS AND CONTROL LEVERS	68
28	CONTROL CABLES AND AMERICAN HANDLEBARS	70
29	TOOLKIT, FRAME LOCK, PILLION FOOTRESTS AND LICENCE HOLDER	72
30	AMAL CARBURETTER TR6	74
31	AMAL CARBURETTER, T120	76
32	AMAL CARBURETTER, T120TT, T120R	78
33	SPEEDOMETER AND TACHOMETER	80
34	A.C. MAGNETO IGNITION COILS AND DIRECT LIGHTING	82
35	D.C. IGNITION COILS, HORN, RECTIFIER AND ZENER DIODE	84
36	HEADLAMP, WIRING HARNESS, SWITCHES AND TAIL LAMP	86

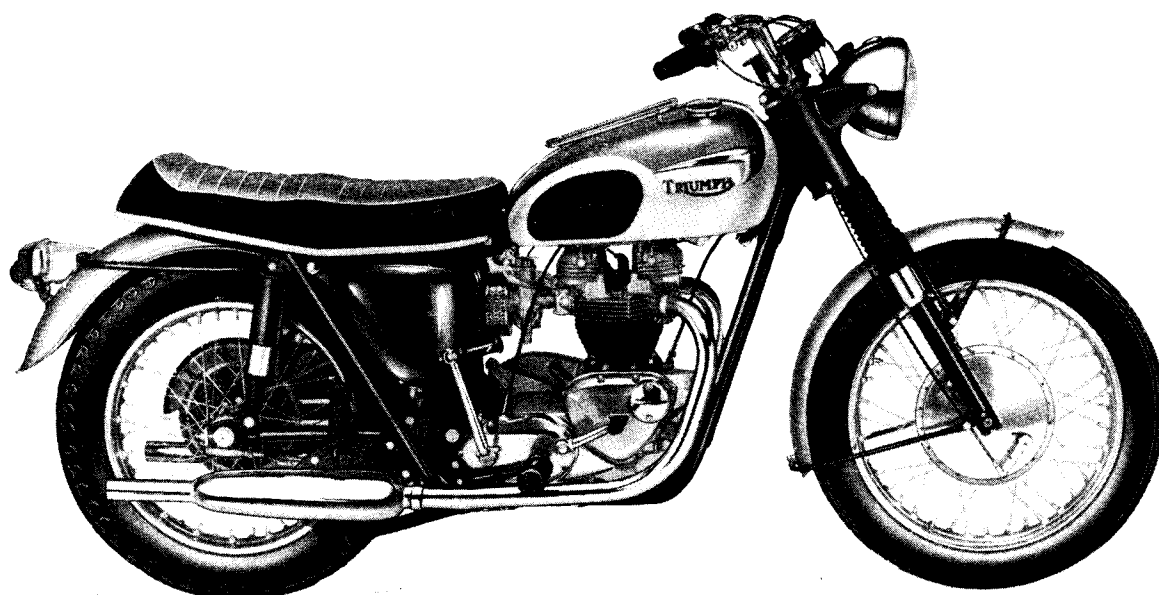
INDEX

	<i>Page</i>		<i>Page</i>
AIR FILTER	63	MANIFOLD	21
ALTERNATOR	17, 37	MUDGUARDS	67
BATTERY CARRIER	63	MUFFLERS	47
CARBURETTER	75, 77, 79	OIL PUMP	21
CARTON PACKS	12, 13	OIL TANK	61
CENTRE STAND	39	PETROL TANK	59
CHAINCASE	37	PILLION FOOTRESTS	73
CHAINS	37	PISTONS	17
CLUTCH	35	PROP STAND	39
COIL	83, 85	Q.D. REAR WHEEL	57
CONTACT BREAKER	27	REAR PANEL	65
CONTROL CABLES	71	REAR WHEEL	55
CONTROL LEVERS	69	RECTIFIER	83
CRANKCASE	19	SILENCERS	45
CRANKSHAFT	17	SPARK PLUGS	83
CYLINDER HEAD	23, 25	SPEEDOMETER	81
ENGINE PLATES	43	STEERING RACES	39
EXHAUST PIPES	45, 47	SUSPENSION UNITS	41
FENDERS	43	SWITCHES	85
FOOTRESTS	43	TIMING GEARS	17
FRONT FORKS	48, 50	TOOLKIT	73
FRONT WHEEL	53	TWINSEAT	65
GAS TANKS	59	VALVES	23, 25
GASKET SETS	13	WIRING HARNESS	83, 87
GEARBOX	29, 31, 33	ZENER DIODE	83
HANDLEBARS	69, 71		
HORN	82, 83		



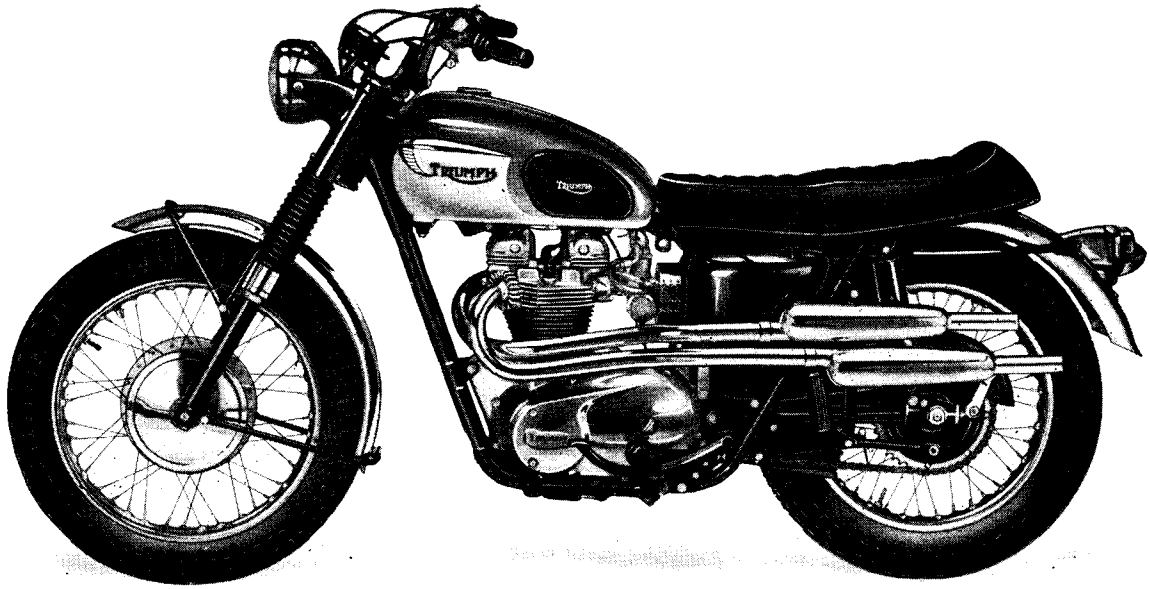
TROPHY (TR6) TECHNICAL DATA

Bore and stroke	71 x 82 mm. 2.79 x 3.23 ins.
Capacity	649 c.c. (40 cu. ins.)
Compression ratio	9 : 1
Sparking plugs	Champion N4
Carburetter	Amal Monobloc 389
				Main jet	330
				Needle jet	106T
				Needle	Type D
				Throttle valve	389/4
				Pilot jet	25
Gearbox sprocket	19 teeth
Chains	Front	$\frac{3}{8}$ " Duplex x 84 links
				Rear	$\frac{5}{8}$ " x $\frac{3}{8}$ " x 104 links
Capacities	Fuel Tank	4 galls. (18 litres)
				Oil Tank	5 pints (2.8 litres)
				Gearbox	$\frac{7}{8}$ pint (500 c.c.)
				Primary Chaincase	$\frac{5}{8}$ pint (350 c.c.)
				Front Forks (each leg)	$\frac{1}{3}$ pint (190 c.c.)
Brakes	Front, diameter...	8 in. (20.32 cm.)
				Rear, diameter	7 in. (17.78 cm.)
Tyre size	Front	3.25 x 19
				Rear	3.50 x 18



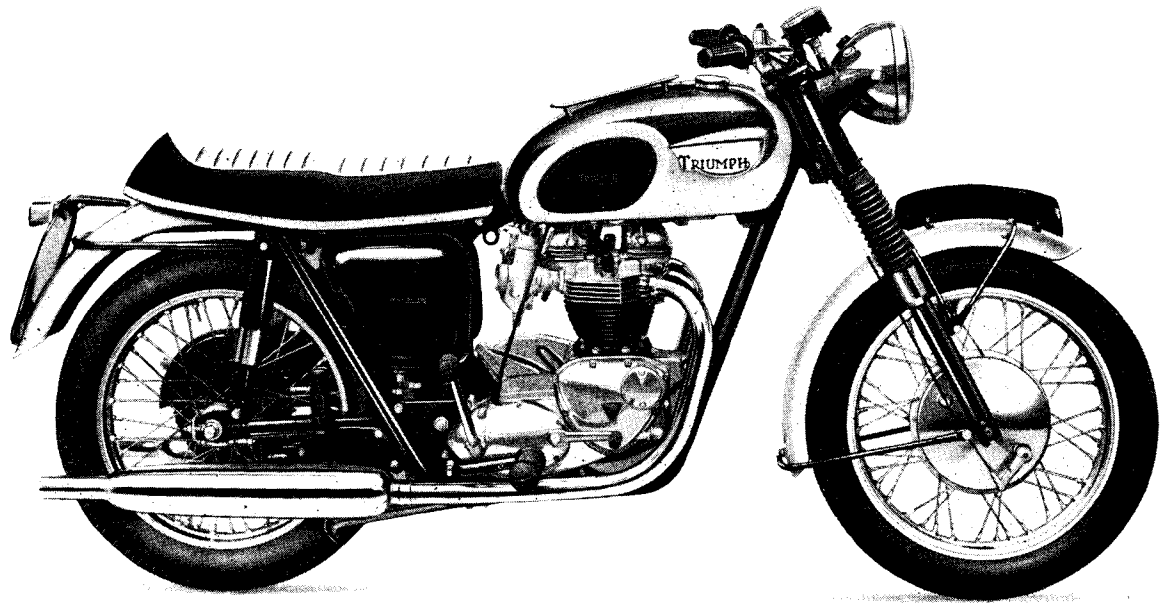
U.S.A. TROPHY (TR6R) TECHNICAL DATA

Bore and stroke...	71 x 82 mm. 2.79 x 3.23 ins.
Capacity	649 c.c. (40 cu. ins.)
Compression ratio	9 : 1
Spark plugs	Champion N4
Carburetter	Amal Monobloc 389
										Main jet 330
										Needle jet106T
										Needle Type D
										Throttle valve 389/4
										Pilot jet 25
Gearbox sprocket	19 teeth
Chains	Front $\frac{3}{8}$ " Duplex x 84 links
										Rear $\frac{5}{8}$ " x $\frac{3}{8}$ " x 104 links
Capacities	Gas Tank $3\frac{3}{4}$ U.S. galls. (16 litres)
										Oil Tank 6 U.S. pints (2.8 litres)
										Gearbox $\frac{7}{8}$ pint (500 c.c.)
										Primary Chaincase $\frac{5}{8}$ pint (350 c.c.)
										Front Forks (each leg) $\frac{1}{3}$ pint (190 c.c.)
Brakes	Front, diameter... .. 8" (20.32 cm.)
										Rear, diameter 7" (17.78 cm.)
Tire size	Front 3.25 x 19
										Rear 4.00 x 18



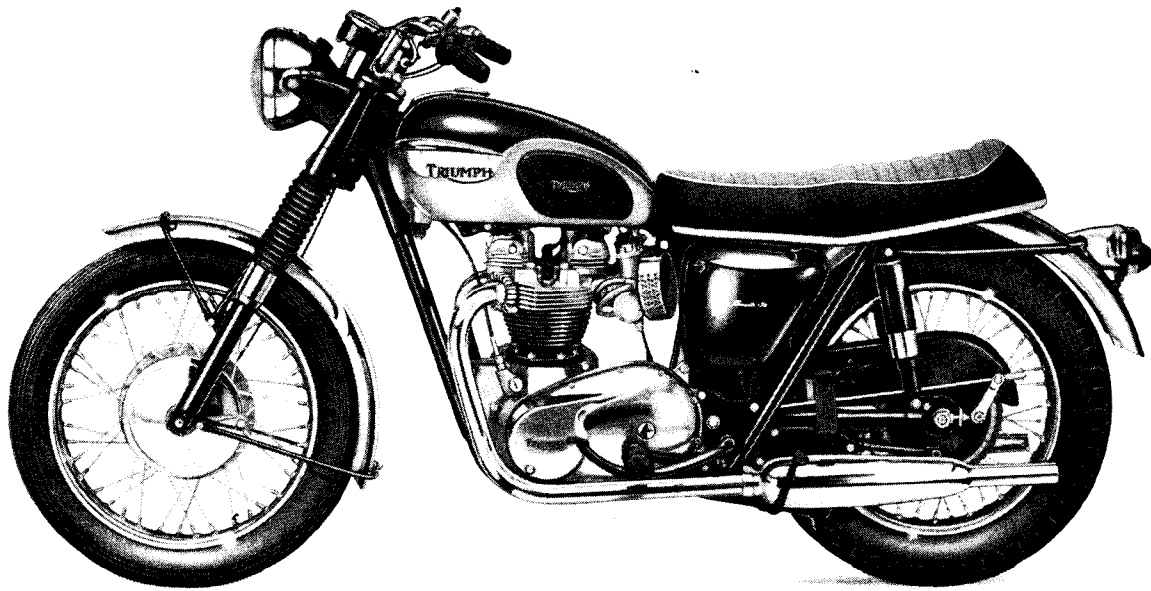
U.S.A. TROPHY (TR6C) TECHNICAL DATA

Bore and stroke...	71 x 82 mm. 2.79 x 3.23 ins.
Capacity	649 c.c. (40 cu. ins.)
Compression ratio	9 : 1
Spark plugs	Champion N4
Carbureter	Amal Monobloc 389
				Main jet	330
				Needle jet106T
				Needle	Type D
				Throttle valve	389/4
				Pilot jet	25
Gearbox sprocket	18 teeth
Chains	Front	$\frac{3}{8}$ " Duplex x 84 links
				Rear	$\frac{5}{8}$ " x $\frac{3}{8}$ " x 104 links
Capacities	Gas Tank	2 $\frac{3}{4}$ U.S. galls. (11 litres)
				Oil Tank	6 U.S. pints (1.8 litres)
				Gearbox	$\frac{7}{8}$ pint (500 c.c.)
				Primary Chaincase	$\frac{5}{8}$ pint (350 c.c.)
				Front Forks (each leg)	$\frac{1}{3}$ pint (190 c.c.)
Brakes	Front, diameter...	8" (20.32 cm.)
				Rear, diameter	7" (17.78 cm.)
Tire size	Front	3.50 x 19
				Rear	4.00 x 18



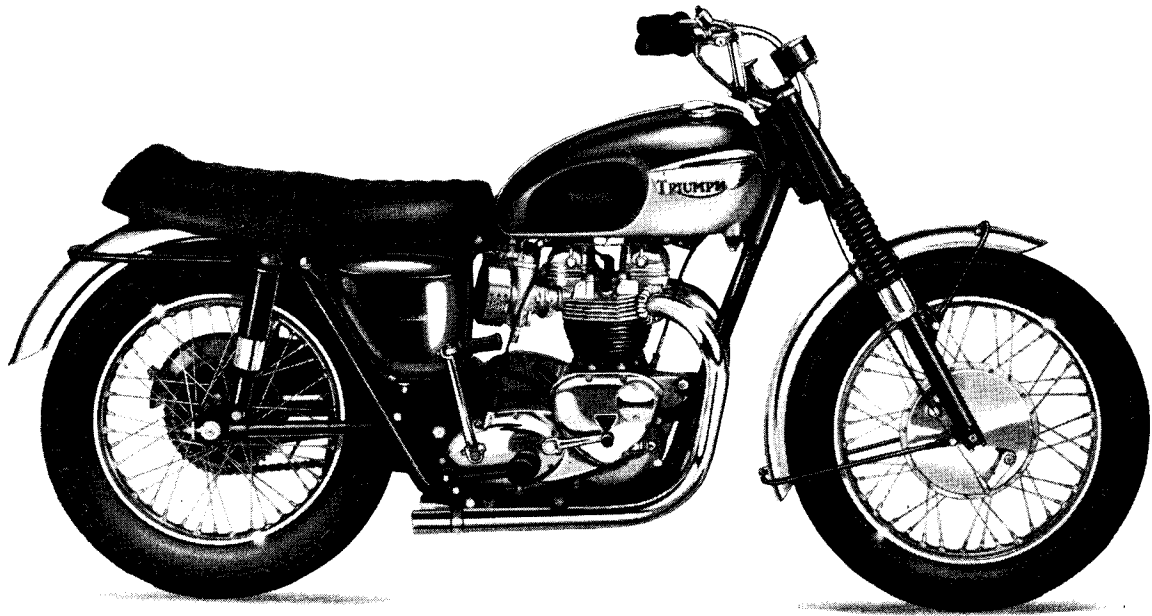
BONNEVILLE 120 (T120) TECHNICAL DATA

Bore and stroke	71 x 82 mm. 2.79 x 3.23 ins.
Capacity	649 c.c. (40 cu. ins.)
Compression ratio	9 : 1
Sparking plugs	Champion N4
Carburetters	2 Amal Monobloc 389
					Main jet	260
					Needle jet106
					Needle	Type D
					Throttle valve	389/3
					Pilot jet	25
Gearbox sprocket	19 teeth
Chains	Front	$\frac{3}{8}$ " Duplex x 84 links
					Rear	$\frac{5}{8}$ " x $\frac{3}{8}$ " x 104 links
Capacities	Fuel Tank	4 galls. (18 litres)
					Oil Tank	5 pints (2.8 litres)
					Gearbox	$\frac{7}{8}$ pint (500 c.c.)
					Primary Chaincase	$\frac{5}{8}$ pint (350 c.c.)
					Front Forks (each leg)	$\frac{1}{2}$ pint (190 c.c.)
Brakes	Front, diameter...	8 in. (20.32 cm.)
					Rear, diameter	7 in. (17.78 cm.)
Tyre size	Front	3.00 x 19
					Rear	3.50 x 18



U.S.A. BONNEVILLE 120 (T120R) TECHNICAL DATA

Bore and stroke...	71 x 82 mm. 2.79 x 3.23 ins.
Capacity	649 c.c. (40 cu. ins.)
Compression ratio	9 : 1
Spark plugs	Champion N4
Carburetters	2 Amal Monobloc 389
				Main jet	330
				Needle jet106
				Needle	Type D
				Throttle valve	389/3½
				Pilot jet	25
Gearbox sprocket	19 teeth
Chains	Front	¾" Duplex x 84 links
				Rear	⅝" x ⅜" x 104 links
Capacities	Gas Tank	2¾ U.S. galls. (11 litres)
				Oil Tank	5 U.S. pints (2.8 litres)
				Gearbox	⅞ pint (500 c.c.)
				Primary Chaincase	⅝ pint (350 c.c.)
				Front Forks (each leg)	⅓ pint (190 c.c.)
Brakes	Front, diameter...	8" (20.32 cm.)
				Rear, diameter	7" (17.78 cm.)
Tire size	Front	3.25 x 19
				Rear	4.00 x 18



U.S.A. BONNEVILLE 120 (T120TT) TECHNICAL DATA

Bore and stroke...	71 x 82 mm. 2.79 x 3.23 ins.
Capacity	649 c.c. (40 cu. ins.)
Compression ratio	11 : 1
Spark plugs	Champion N58R
Carburettors	2 Amal Monobloc 389
				Main jet	330
				Needle jet106
				Needle	Type D
				Throttle valve	389/3½
				Pilot jet	25
Gearbox sprocket	17 teeth
Chains	Front	¾" Duplex x 84 links
				Rear	⅝" x ⅜" x 103 links
Capacities	Gas Tank	2¾ U.S. galls. (11 litres)
				Oil Tank	6 U.S. pints (2.8 litres)
				Gearbox	⅞ pint (500 c.c.)
				Primary Chaincase	⅝ pint (350 c.c.)
				Front Forks (each leg)	⅓ pint (190 c.c.)
Brakes	Front, diameter...	8" (20.32 cm.)
				Rear, diameter	7" (17.78 cm.)
Tire size	Front	3.50 x 19
				Rear	4.00 x 18

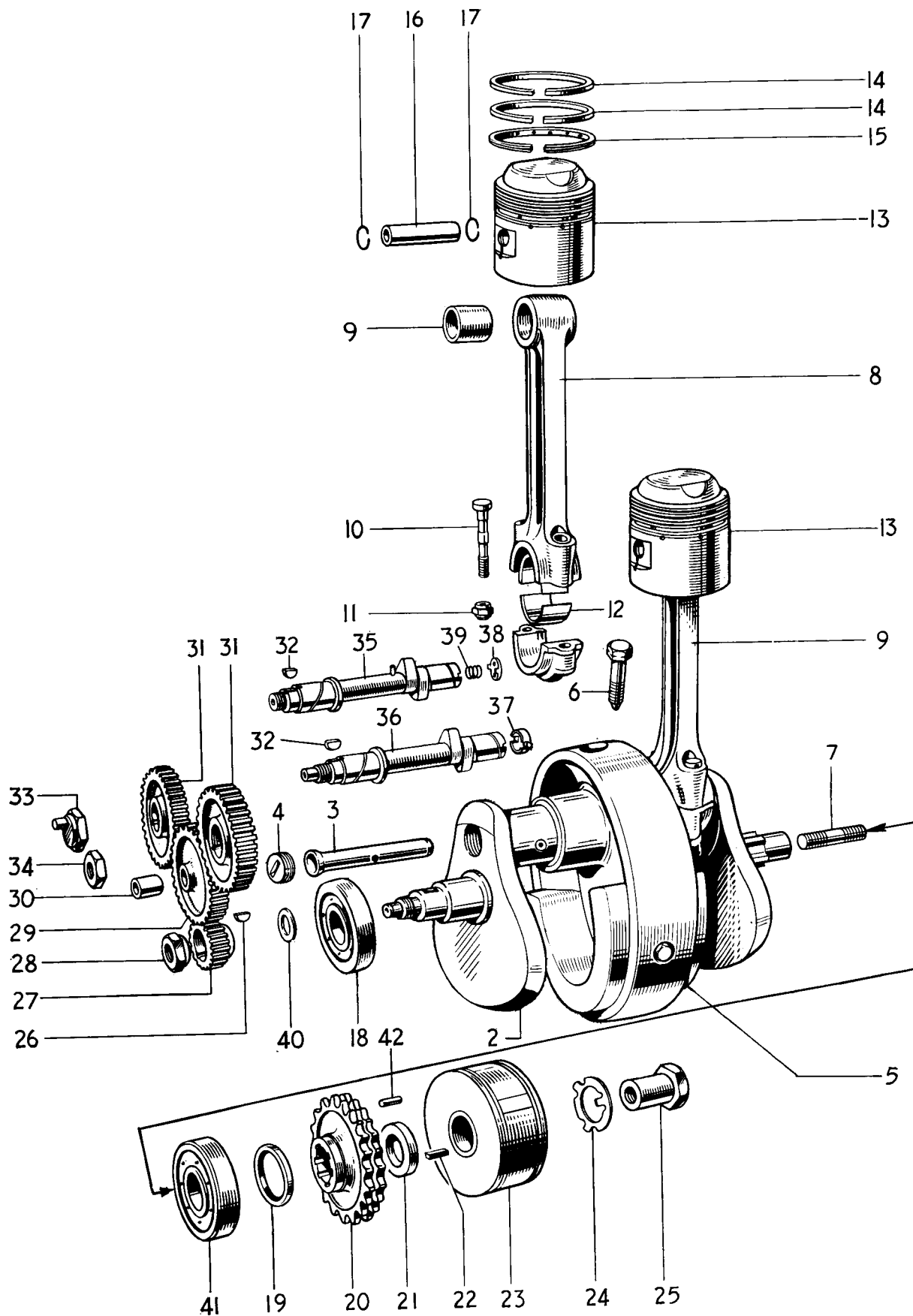


Fig. 1. CRANKSHAFT AND CONNECTING RODS

CRANKSHAFT AND CONNECTING RODS

1	E6326	CRANKSHAFT AND FLYWHEEL ASSEMBLY	1	
2	E4643	CRANKSHAFT C/W. OIL TUBE	1	
3	E3903	Oil tube	1	
4	E3905	Screwed plug	1	
5	E6327	Flywheel	1	
6	*E6328	Flywheel bolt	3	
7	E3114	Crankshaft stud (1 $\frac{3}{8}$ " O.A.)	1	
8	E3606T	CONNECTING ROD	2	
9	E1511	Small end bush	2	
10	E2490A	Connecting rod bolt	4	
11	E2922	Self locking nut	4	
12	E3586	Big end bearing	4	
13	E6868	PISTON COMPLETE 9 : 1 C.R.	2	TR6, T120 & T120R
13	E6867	PISTON COMPLETE 11 : 1 C.R.	2	T120TT
14	E6864	Taper compression ring	4	
15	E6865	Oil control ring	2	
16	E6863	Gudgeon pin (long)	2	TR6, T120 & T120R
16	E6861	Gudgeon pin (short)	2	T120TT
17	E6869	Circlip	4	
18	E1591	Main bearing, right	1	
19	E3876	Oil seal	1	
20	E5446	Engine sprocket, 29 teeth Duplex	1	
20	E5450	Engine sprocket, 29 teeth Duplex	1	A.C. Ignition
21	E4573	Distance piece	1	
21	E4912	Distance piece	1	A.C. Ignition
22	E3974	Rotor key	1	
23	54213901	Rotor, type RM19	1	
23	54215824	Rotor, type RM19	1	A.C. Ignition
24	E3975	Tab washer	1	
25	E3977	Nut	1	
26	E1580	Key	1	
27	E4564	Timing pinion	1	
28	E4565	Nut	1	
29	E6159	INTERMEDIATE WHEEL	1	
30	E400	Intermediate wheel bush...	1	
31	E4562	Camshaft wheel...	2	
32	E1558	Camshaft key	2	
33	E1463	Inlet camshaft nut	1	
34	E4563	Exhaust camshaft nut	1	
35	E4819	Inlet camshaft	1	
36	E5047	EXHAUST CAMSHAFT	1	
37	†E4700	Tachometer drive thimble	1	
38	E5316	Rotary breather valve	1	
39	E2256	Breather valve spring	1	
40	E3300	Clamping washer	1	
41	E2879	Main bearing, left	1	
42	E4913	Dowel	1	A.C. Ignition

* Use D524 Loctite Sealant

† Use E7050 to replace without dismantling motor

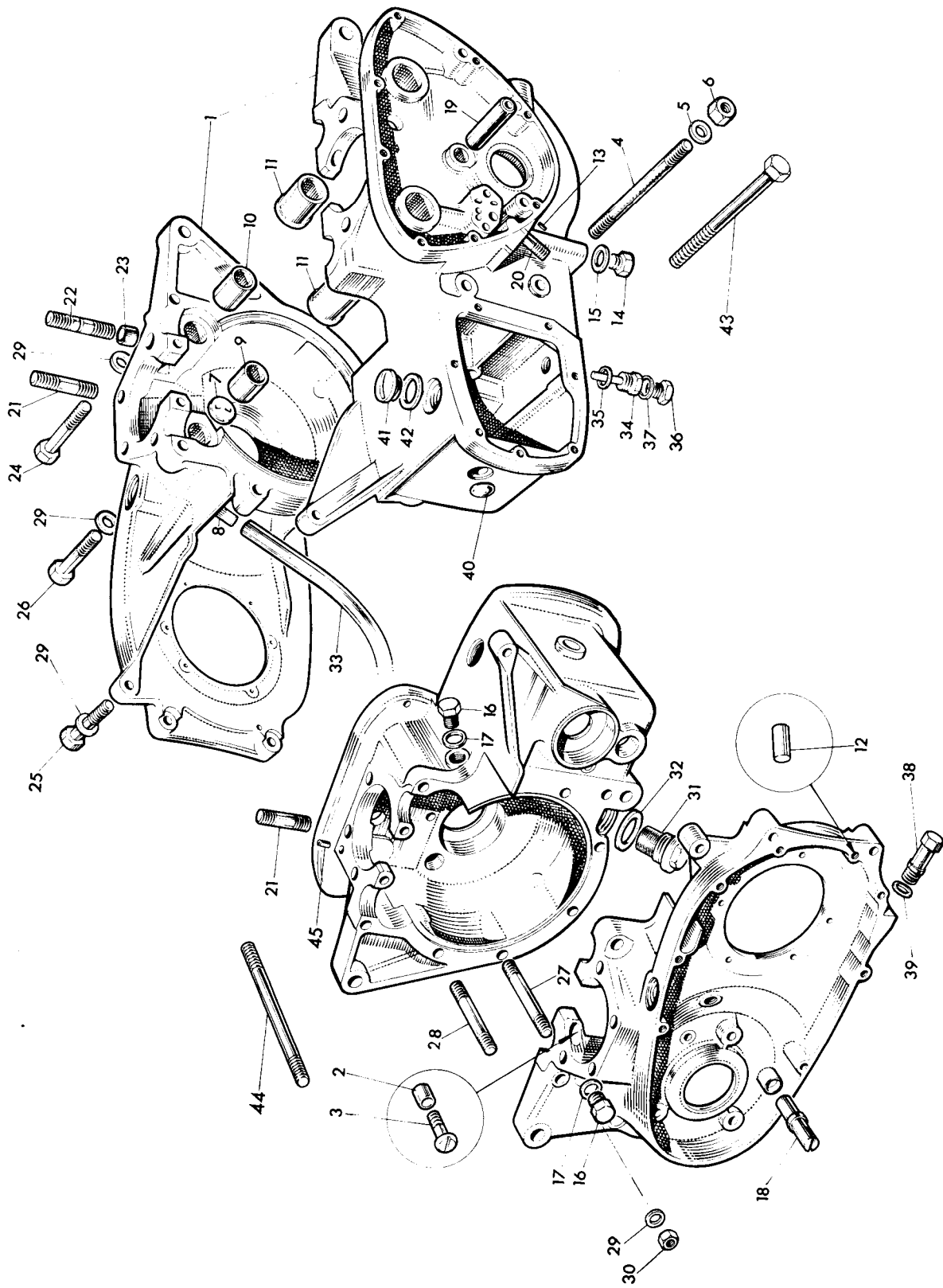


FIG. 2. CRANKCASE

Ref. No.	Part No.	DESCRIPTION	QUANTITY	REMARKS
CRANKCASE				
1	E5871/6303	CRANKCASE	1	
2	E3716	Hollow Dowel	1	
3	E5232	Screw ($\frac{21}{32}$ in. U.H.)	2	
4	E4542	Stud ($4\frac{1}{2}$ in. O.A.)	1	
5	S25-2	Plain washer	2	
6	P0172A	Nut	2	
7	GS87	Breather disc	1	
8	E2724	Breather pipe	1	
9	E2260	Inlet camshaft bush	1	
10	E1516	Exhaust camshaft bush	1	
11	E1479	Camshaft bush	2	
12	E5616	Blanking plug	1	
13	E6386	Locating peg	1	Not serviced
14	E4539	Oilway plug	1	
15	F1880	Copper washer	1	
16	E4706	Tachometer drive plug	2	
17	E697	Fibre washer	2	
18	E5976	Chain tensioner abutment	1	
19	E375	Intermediate wheel spindle	1	
20	E3717	Oil pipe stud ($1\frac{1}{2}$ in. O.A.)	1	
21	E672	Cylinder stud ($1\frac{5}{8}$ in. O.A.)	6	
22	E3523	Cylinder stud ($1\frac{5}{8}$ in. O.A.)	2	
23	E1534A	Hollow dowel	2	
24	E4541	Bolt ($2\frac{1}{2}$ in. U.H.)	1	
25	E4540	Bolt ($1\frac{3}{4}$ in. U.H.)	1	
26	E4098	Bolt ($1\frac{7}{8}$ in. U.H.)	1	
27	E4856	Stud ($5\frac{1}{6}$ in. O.A.)	1	
28	E2888	Stud ($3\frac{7}{8}$ in. O.A.)	2	(TR6C 3 off)
29	S25-3	Plain washer	11	
30	S1-51	Nut	8	
31	E5312	Crankcase filter... ..	1	
32	E5315	Copper washer	1	
33	E5375	Breather extension pipe	1	
34	T1112	Drain plug (with level tube)	1	
35	T1257	Fibre washer	1	
36	T361	Level plug	1	
37	E2441	Copper washer	1	
38	E6347	Drain and adjuster plug	1	
39	T1738	Fibre washer	1	
40	T1920	Blanking plug	1	
41	E732	Filler plug	2	
42	NE507	Fibre washer	2	
43	E6929	Bolt (4 in. U.H.)	1	
44	E5963	Stud ($4\frac{3}{4}$ in. O.A.)	1	(except TR6C)
45	E1532	Hollow dowel, tappet oil feed	1	

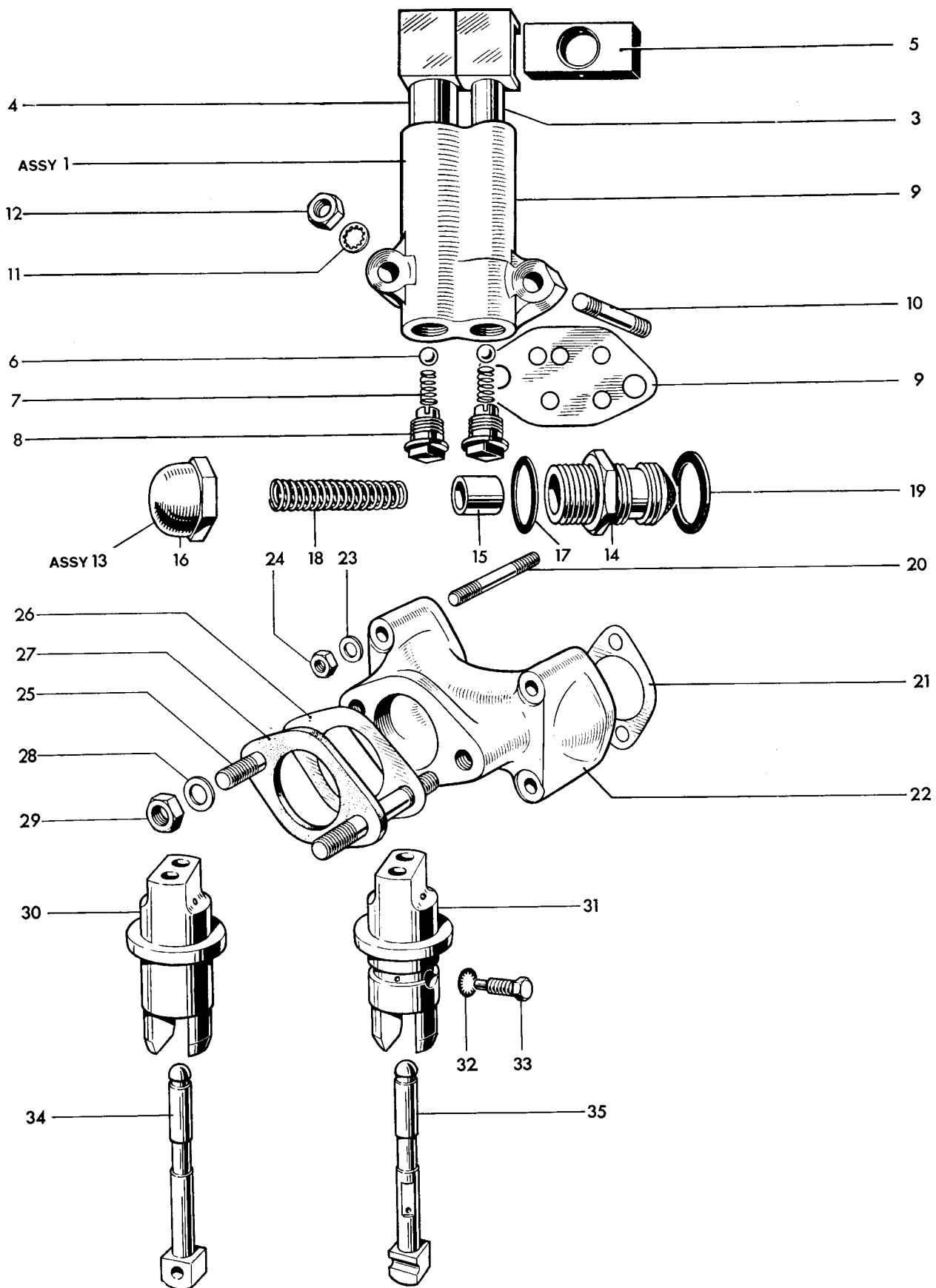


Fig. 3. OIL PUMP, RELEASE VALVE, MANIFOLD AND TAPPETS

OIL PUMP, RELEASE VALVE, MANIFOLD AND TAPPETS

1	E6928	OIL PUMP	1	
2	E6680	Pump body...	1	
3	GS153	Feed plunger	1	
4	E6681	Scavenge plunger	1	
5	E495	Drive block	1	
6	S70-7	Valve ball ($\frac{7}{32}$ in. dia.)	2	
7	E403	Valve spring	2	
8	E2360	Screwed plug	2	
9	E3730	Joint washer	1	
10	E3718	Oil pump stud ($1\frac{5}{16}$ in. U.H.)	2	
11	E3887	Serrated washer	2	
12	E3732	Nut	2	
13	E5896	OIL RELEASE VALVE	1	
14	E2794	Valve body	1	
15	GS251	Piston	1	
16	E2304	Cap	1	
17	GS254	Fibre washer	1	
18	E6062	Main spring	1	
19	E1670	Fibre washer	1	
20	E2973	Stud ($1\frac{5}{16}$ in. O.A.)	4	
21	E5660	Joint washer	2	TR6
22	E5512	Inlet manifold	1	TR6
23	S25-13	Plain washer	4	TR6
24	W103	Nut	4	TR6
25	E2962	Stud ($1\frac{7}{32}$ in. O.A.)	2	TR6
26	NA43A	Joint washer	1	TR6
27	E4918	Insulating block	1	TR6
28	S25-3	Plain washer	2	TR6
29	S1-51	Nut	2	TR6
30	E4676	Inlet tappet guide	1	
31	E5861	Exhaust tappet guide	1	
32	E1612	Serrated washer	2	
33	H200	Set bolt	2	
34	E3059R	Inlet tappet	2	
35	E6490	Exhaust tappet	2	

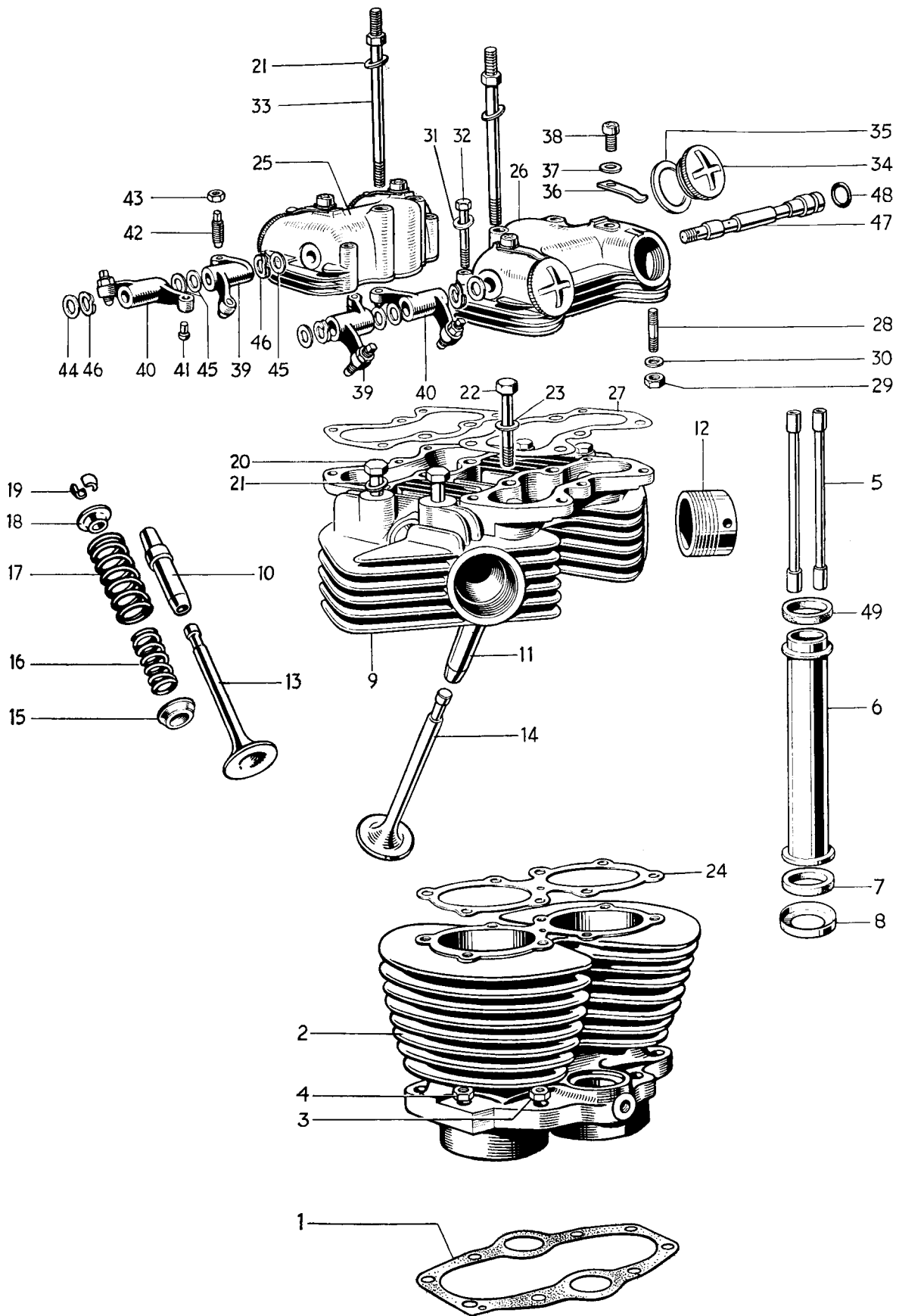


Fig. 4. CYLINDER BLOCK AND HEAD, TR6

Ref. No.	Part No.	DESCRIPTION	QUANTITY	REMARKS
CYLINDER BLOCK AND HEAD, TR6				
1	E6309	Cylinder base washer	1	
2	E6304	Cylinder block	1	
3	W76	Inner cylinder base nut	4	
4	P0172A	Outer cylinder base nut	4	
5	E2620	Push rod	4	
6	E6000	Cover tube	2	
7	E4752	Rubber washer	2	
8	E4746	Bottom cup	2	
9	E7031	CYLINDER HEAD c/w GUIDES	1	
10	E2899	Inlet valve guide	2	
11	E2900	Exhaust valve guide	2	
12	E3583	Exhaust pipe adaptor	2	
13	E4603	Inlet valve	2	
14	E2904	Exhaust valve	2	
15	E6439	Bottom cup	4	
16	E4221	Inner valve spring (red spot)	4	
17	E4222	Outer valve spring (red spot)	4	
18	E1543	Top collar	4	
19	WE259A	Split cotter	8	
20	E327	Cylinder head bolt (3 $\frac{3}{8}$ in. U.H.)	4	
21	F2184	Plain washer	8	
22	E4771	Bolt (3 in. U.H.)	1	
23	S25-3	Plain washer	1	
24	E4547	Cylinder head gasket	1	
25	E4550	Inlet rocker box	1	
26	E4551	Exhaust rocker box	1	
27	E4549	Joint washer	2	
28	E2980	Rocker box stud ($1\frac{5}{8}$ in. O.A.)	6	
29	F879	Rocker box nut... ..	6	
30	E3302	Plain washer	6	
31	E2982	Rocker box bolt (2 $\frac{5}{32}$ in. U.H.)	4	
32	S25-13	Plain washer	4	
33	E1596	Cylinder head bolt (for torque stay)	4	
34	E4610	Inspection cap	4	
35	E3751	Joint washer	4	
36	E4609	Locking spring	4	
37	WE170	Fibre washer	4	
38	T1553	Screw ($\frac{3}{8}$ in. U.H.)	4	
39	E1457	ROCKER (right exhaust, left inlet)	2	
40	E1458	ROCKER (left exhaust, right inlet)	2	
41	E1483	Rocker ball pin	4	
42	E1513	Rocker adjusting pin	4	
43	E470	Adjuster lock nut	4	
44	E1330	Thrust washer, $\frac{3}{8}$ in.	2	
45	E1575	Thrust washer, $\frac{1}{2}$ in.	6	
46	E1574	Spring washer	4	
47	E1512	Rocker spindle	2	
48	E3253	Sealing rubber	2	
49	E3547	Rubber washer	2	

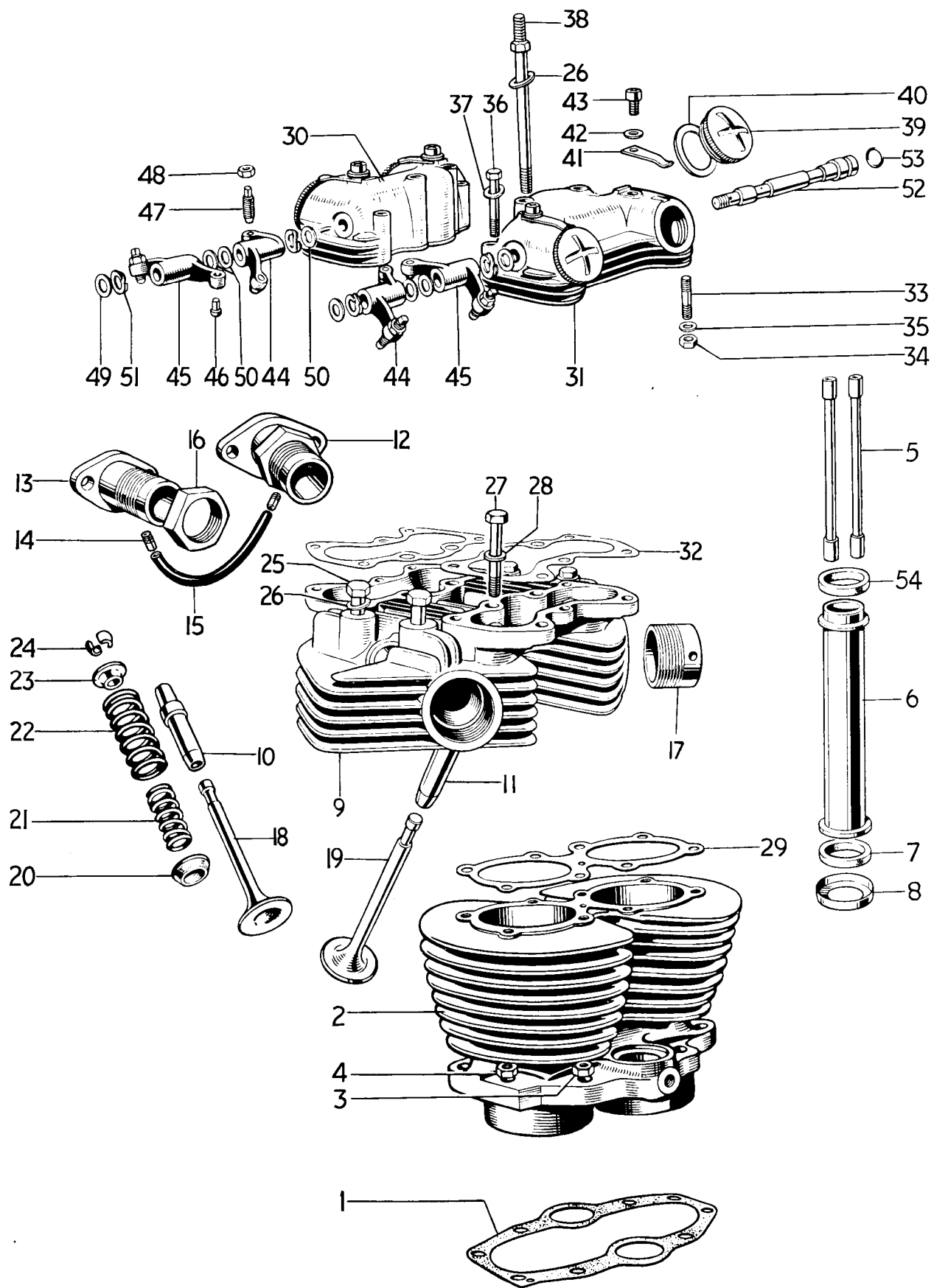


Fig. 5. CYLINDER BLOCK AND HEAD, T120

Ref. No.	Part No.	DESCRIPTION	QUANTITY	REMARKS
CYLINDER BLOCK AND HEAD, T120				
1	E6309	Cylinder base washer	1	
2	E6304	Cylinder block	1	
3	W76	Inner cylinder base nut	4	
4	P0172A	Outer cylinder base nut	4	
5	E2620	Push rod	4	
6	E6000	Cover tube	2	
7	E4752	Rubber washer	2	
8	E4746	Bottom cup	2	
9	E5348	CYLINDER HEAD c/w GUIDES	1	Use E5727 for T120TT & T120R
10	E3827	Inlet valve guide	2	
11	E3828	Exhaust valve guide	2	
12	E5349	Carburettor adaptor, left	1	Use E5351 for T120TT & T120R
13	E5350	Carburettor adaptor, right	1	
14	E4791	Connector	2	Use E5352 for T120TT & T120R
15	E4792	Balance pipe	1	
16	E4608	Adaptor locking nut	2	
17	E5914	Exhaust pipe adaptor	2	
18	E4603	Inlet valve	2	
19	E2904	Exhaust valve	2	
20	E6439	Bottom cup	4	
21	E4221	Inner valve spring (Red spot)	4	
22	E4222	Outer valve spring (Red spot)	4	
23	E1543	Top collar	4	
24	WE259A	Split cotter	8	
25	E327	Cylinder head bolt ($3\frac{3}{8}$ in. U.H.)	4	
26	F2184	Plain washer	8	
27	E4771	Bolt (3 in. U.H.)	1	
28	S25-3	Plain washer	1	
29	E4547	Cylinder head gasket	1	
30	E4550	Inlet rocker box	1	
31	E4551	Exhaust rocker box	1	
32	E4549	Joint washer	2	
33	E2980	Rocker box stud ($1\frac{5}{16}$ in. O.A.)	6	
34	F879	Nut	6	
35	E3302	Plain washer	6	
36	E2982	Rocker box bolt ($2\frac{5}{32}$ in. U.H.)	4	
37	S25-13	Plain washer	4	
38	E1596	Cylinder head bolt (for torque stay)	4	
39	E4610	Inspection cap	4	
40	E3751	Joint washer	4	
41	E4609	Locking spring	4	
42	WE170	Fibre washer	4	
43	T1553	Screw ($\frac{3}{8}$ in. U.H.)	4	
44	E1457	ROCKER (right exhaust, left inlet)	2	
45	E1458	ROCKER (left exhaust, right inlet)	2	
46	E1483	Rocker ball pin	4	
47	E1513	Rocker adjusting pin	4	
48	E470	Adjuster lock nut	4	
49	E1330	Thrust washer, $\frac{3}{8}$ in.	2	
50	E1575	Thrust washer, $\frac{1}{2}$ in.	6	
51	E1574	Spring washer	4	
52	E1512	Rocker spindle	2	
53	E3253	Sealing rubber	2	
54	E3547	Rubber washer	2	

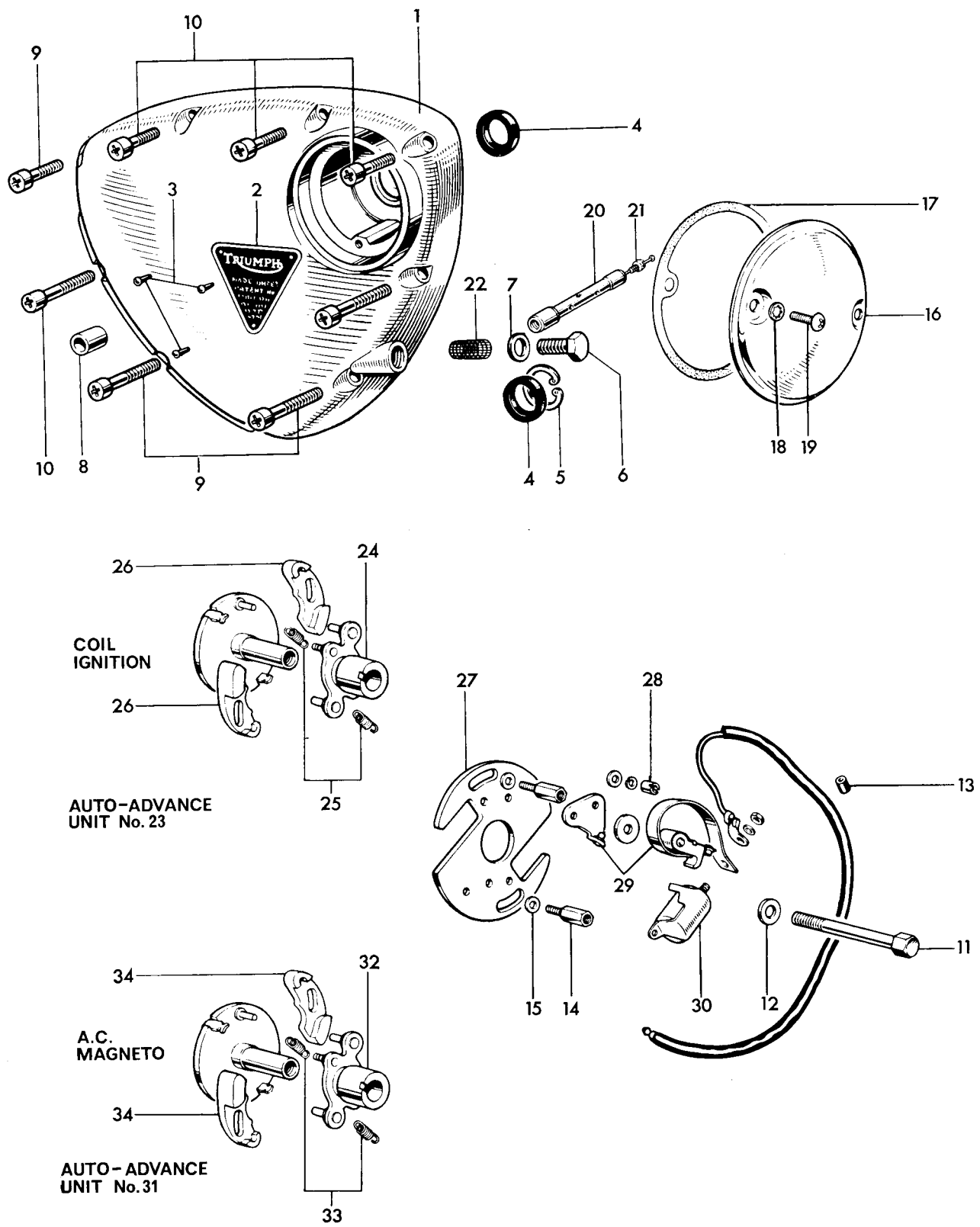


Fig. 6. TIMING COVER AND CONTACT BREAKER

TIMING COVER AND CONTACT BREAKER

1	E4567	Timing cover	1	
2	E4016	Patent plate	1	
3	D208-5	Hammer-drive screw	3	
4	E4568	Oil seal	2	
4	E6387	Oil seal (0.020 in. undersize)		For reground crankshaft
5	E4569	Circlip	1	
6	E2615	Timing cover plug	1	
7	E1335	Copper washer	1	
8	T989	Hollow dowel	1	
9	E3668	Screw (1- $\frac{5}{8}$ in. U.H.)	3	
10	E3204	Screw (1 in. U.H.)	5	
11	E5451	Bolt (2 in. U.H.)... ..	1	
12	S25-43	Plain washer	1	
13	E4707	Rubber grommet	1	
14	E4747	Pillar bolt	2	
15	E6559	Plain washer	2	
16	E4571	Cover	1	
17	E5049	Joint washer	1	
18	GS299	Serrated washer	2	
19	F4715	Screw ($\frac{1}{32}$ in. U.H.)	2	
20	E6803	Hollow metering dowel	1	
21	E6800	Metering jet	1	
22	E6804	Filter gauze	1	
23	54415750	AUTO-ADVANCE UNIT	1	} Coil Ignition models
24	54441729	Cam... ..	1	
25	54415642	Spring set	1	
26	42539	Weight	2	
27	425379	CONTACT BREAKER PLATE ASSEMBLY	1	
28	169194	Slotted nut... ..	4	
29	54415803	Contact set	2	
30	425377	Condenser	2	
31	54415746	AUTO-ADVANCE UNIT	1	} A.C. Ignition models
32	54415473	Cam... ..	1	
33	54415641	Spring set	1	
34	425359	Weight	2	

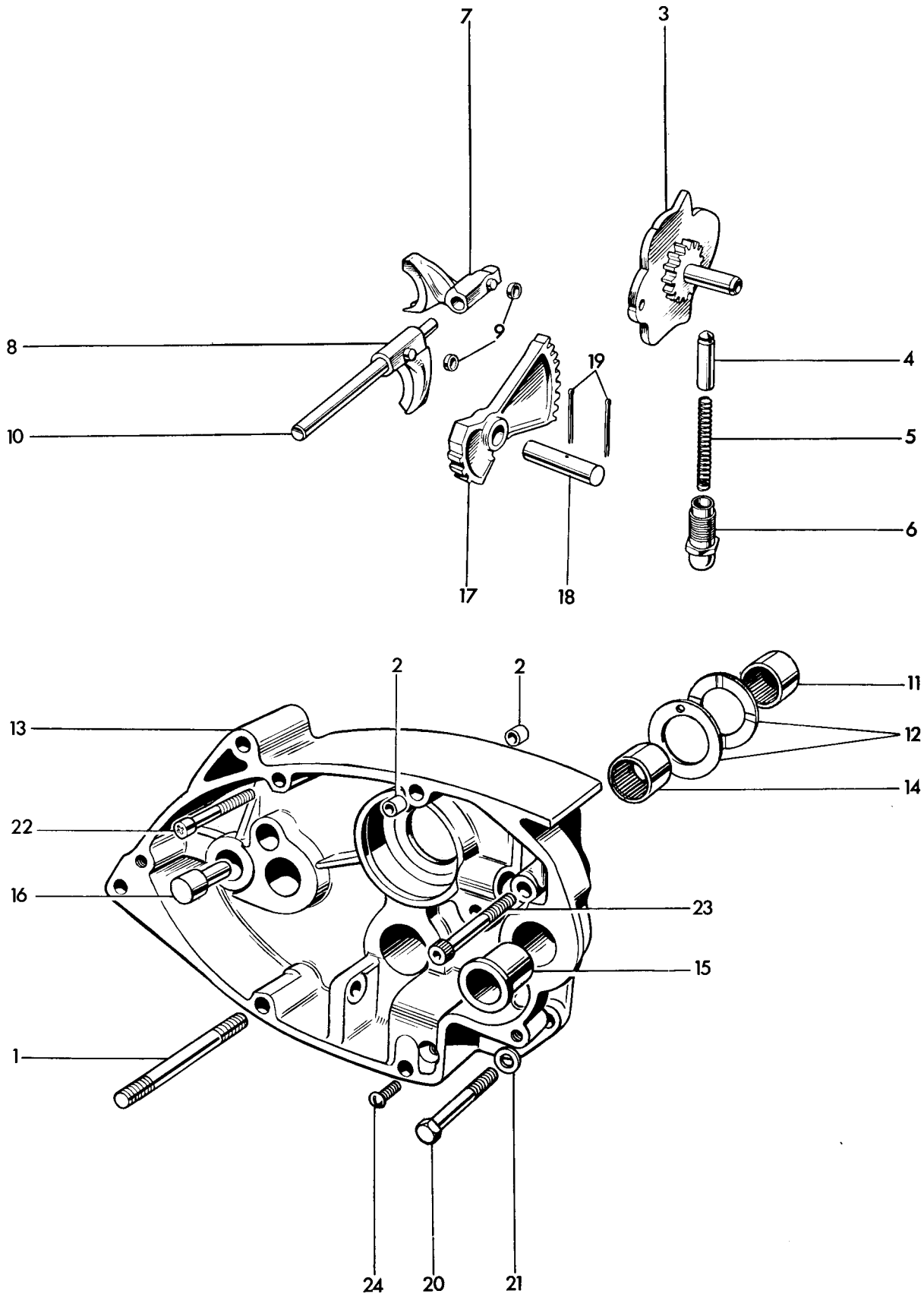


Fig. 7. GEARBOX INNER COVER AND SELECTORS

GEARBOX INNER COVER AND SELECTORS

1	E4535	Stud (3 in. O.A.)	2	
2	T989	Hollow dowel	4	
3	T500	Gear selector camplate	1	
4	T44	Camplate index plunger	1	
5	T373	Index plunger spring	1	
6	T372	Index plunger holder	1	
7	T260B	Mainshaft selector fork	1	
8	T913	Layshaft selector fork	1	
9	NT261	Selector fork roller	2	
10	T291	Selector fork rod	1	
11	T1606	Layshaft bearing	1	
12	T1607	Thrust washer	2	
13	T2112	GEARBOX INNER COVER	1	
14	T1614	Layshaft bearing	1	
15	T412	Gearchange spindle bush...	1	
16	T45	Kickstarter stop	1	
17	T397	Camplate operating quadrant...	1	
18	T1896	Quadrant spindle	1	
19	$\frac{5}{64}$ in. x $1\frac{3}{8}$ in.	Split pin	2	
20	T1778	Bolt ($1\frac{1}{8}$ in. U.H.)	1	
21	E3446	Plain washer	1	
22	E3204	Screw (1 in. U.H.)	1	
23	T1779	Socket screw ($1\frac{3}{4}$ in. U.H.)	1	
24	E3728	Countersunk screw ($1\frac{5}{8}$ in. U.H.)	1	

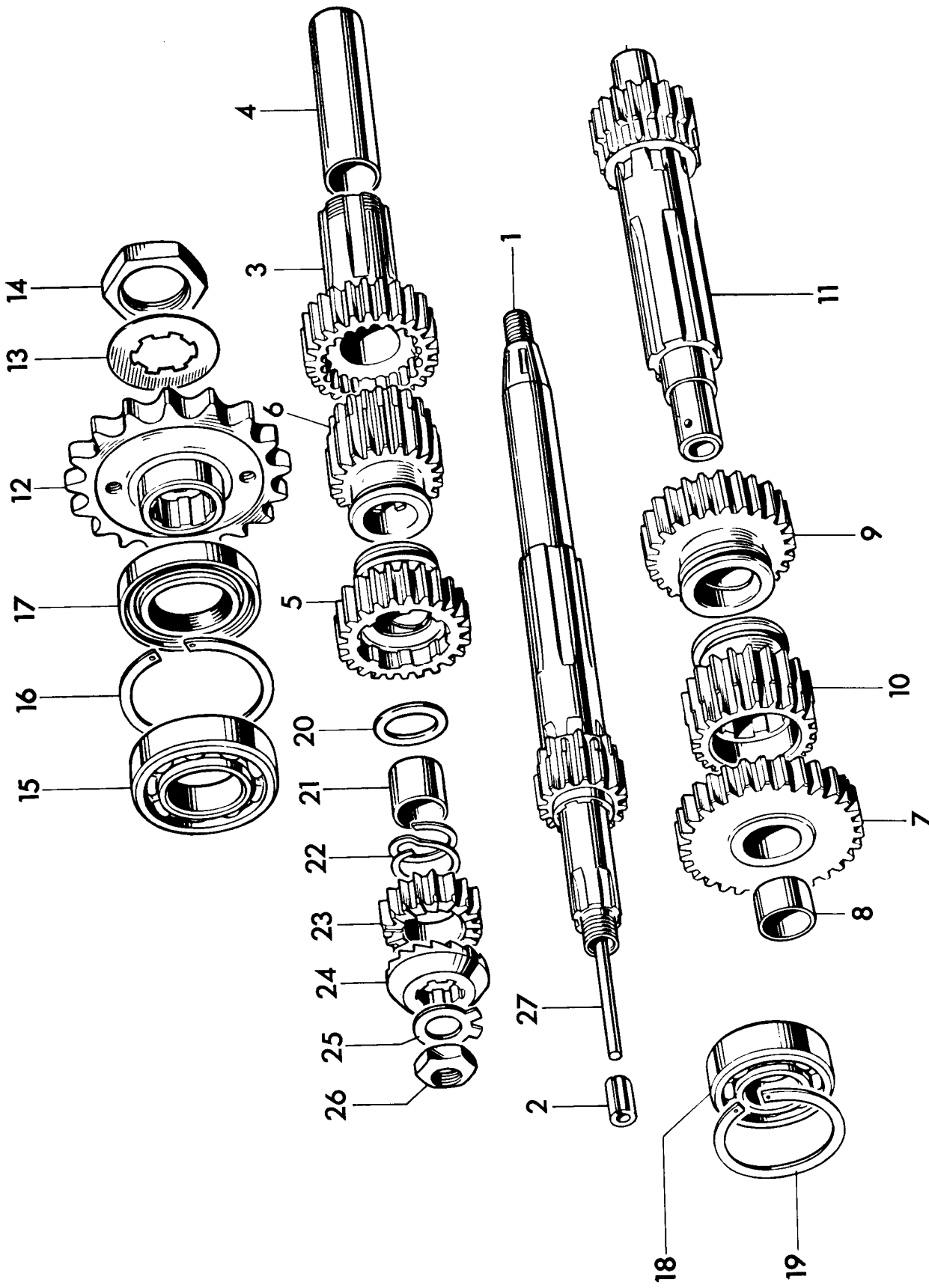


Fig. 8. GEARBOX SHAFTS AND GEARS

GEARBOX SHAFTS AND GEARS

Ref. No.	Part No.	DESCRIPTION	QUANTITY	REMARKS
1	T914	MAINSHAFT c/w LOW GEAR (16T)	1	After Eng. Number DU 48144 Use T2436
2	PT108B	Clutch rod bush	1	
3	T1914	MAINSHAFT HIGH GEAR (26T)	1	
4	T1370	High gear bush	1	
5	T917	Mainshaft third gear (24T)	1	
6	T916	Mainshaft second gear (20T)	1	
7	T926	LAYSHAFT LOW GEAR (30T)	1	
8	T928	Low gear bush	1	
9	T1065	Layshaft second gear (26T)	1	
10	T930	Layshaft third gear (22T)	1	
11	T1843	Layshaft c/w high gear (20T)	1	
12	T1952	Gearbox sprocket (15 teeth)	1	
12	T1953	Gearbox sprocket (16 teeth)	1	
12	T1916	Gearbox sprocket (17 teeth)	1	} See pages 6 to 12 for standard sizes
12	T1917	Gearbox sprocket (18 teeth)	1	
12	T1918	Gearbox sprocket (19 teeth)	1	
12	T1919	Gearbox sprocket (20 teeth)	1	
13	T2116	Tab washer	1	
14	T440	Gearbox sprocket nut	1	
15	T448	High gear bearing	1	
16	T489	Circlip	1	
17	T946	Oil seal	1	
18	S35-7	Mainshaft bearing	1	
19	T280	Circlip	1	
20	T1962	Plain washer	1	
21	T1963	Pinion sleeve	1	
22	T1250	Pinion spring	1	
23	T730	Kickstarter pinion	1	
24	T731	Kickstarter ratchet	1	
25	T732	Tab washer	1	
26	NT297	Nut	1	S594
27	T1736	Clutch operating rod	1	

WIDE RATIO GEARS

3	T1912	MAINSHAFT HIGH GEAR (28T)	1	
6	T968	Mainshaft second gear (19T)	1	
9	T974	Layshaft second gear (27T)	1	
11	T1844	Layshaft c/w high gear (18T)	1	

CLOSE RATIO GEARS

1	T1177	MAINSHAFT c/w LOW GEAR (18T)	1	T2438
3	T1910	MAINSHAFT HIGH GEAR (24T)	1	
5	T1179	Mainshaft third gear (23T)	1	
6	T955	Mainshaft second gear (21T)	1	
7	T961	LAYSHAFT LOW GEAR (28T)	1	
9	T963	Layshaft second gear (25T)	1	
10	T964	Layshaft third gear (23T)	1	
11	T1846	Layshaft c/w high gear (22T)	1	

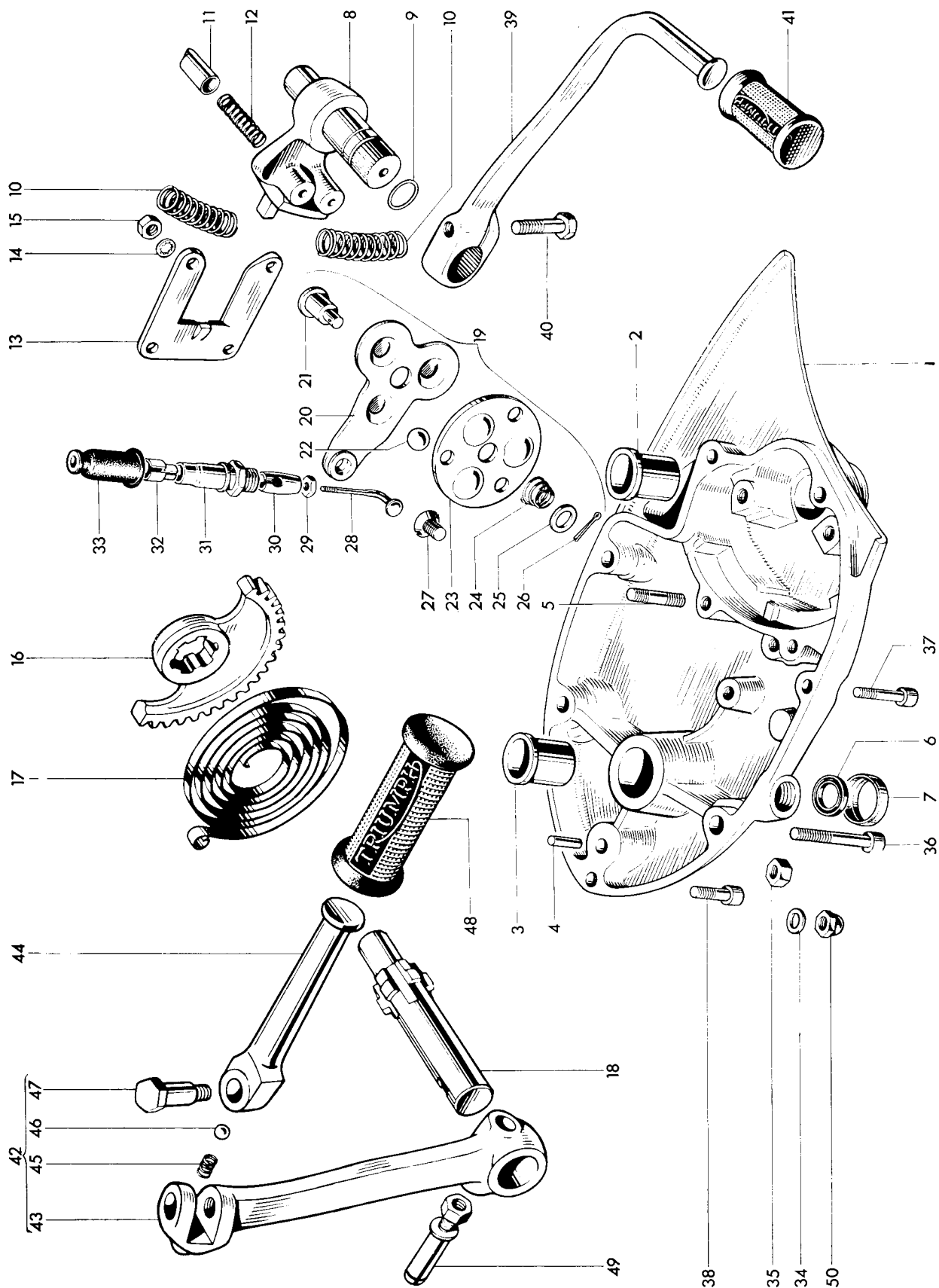


Fig. 9. GEARBOX OUTER COVER

GEARBOX OUTER COVER

1	T1986	GEARBOX OUTER COVER	1	
2	T57	Gearchange spindle bush...	1	
3	T23	Kickstarter spindle bush	1	
4	T47	Kickstarter spring anchor pin	1	
5	T454	Guide plate stud ($\frac{7}{8}$ in. O.A.)	4	
6	T1956	Oil seal	1	
7	T1955	Oil seal housing	1	
8	T408/9	Gearchange quadrant	1	
9	E3309	Rubber "O" ring	1	
10	T404	Quadrant return spring	2	
11	T406	Gearchange quadrant plunger	2	
12	T405	Plunger spring	2	
13	T407	Guide plate	1	
14	E1612	Serrated washer	4	
15	F879	Nut	4	
16	T25A	Kickstarter quadrant	1	
17	T31	Kickstarter return spring	1	
18	T24A	Kickstarter axle	1	
19	T1707	CLUTCH LEVER ASSEMBLY	1	
20	T1708	Clutch lever	1	
21	T1710	Lever shaft	1	
22	T1771	Ball, $\frac{3}{8}$ in. diam.	3	
23	T1711	Thrust plate	1	
24	T1712	Return spring	1	
25	GS127	Plain washer	1	
26	$\frac{5}{64}$ in. x $\frac{1}{2}$ in.	Split pin	1	
27	T1713	Countersunk screw ($\frac{3}{8}$ in. O.A.)	2	
28	T1714	Spoke	1	
29	T1937	Locknut	1	
30	T1946	Connector	1	
31	T1644	Abutment	1	
32	T2062	Adaptor, short		as required
32	T2063	Adaptor, long (For cable with short outer cover.)		as required
33	T1646	Rubber cover	1	
34	S25-3	Plain washer	2	
35	S1-51	Nut	1	
36	E3802	Screw ($2\frac{3}{4}$ in. U.H.)	2	
37	E3668	Screw ($1\frac{5}{8}$ in. U.H.)	2	
38	E3204	Screw (1 in. U.H.)	1	
39	T1750	Gearchange pedal	1	
40	W932	Bolt (1 in. U.H.)	1	
41	T449	Pedal rubber	1	
42	T2113	FOLDING KICKSTARTER	1	
43	T2095	Kickstarter lever	2	
44	T1272	Kickstarter pedal	1	
45	T1167	Pedal locating spring	1	
46	S70-3	Steel ball, $\frac{1}{4}$ in. diam.	1	
47	T1273	Pedal bolt	1	
48	F1814	Pedal rubber	1	
49	T1222	Cotter pin c/w nut and washer	1	
50	H1531	Domed nut	1	

CLUTCH ASSEMBLY N° 1

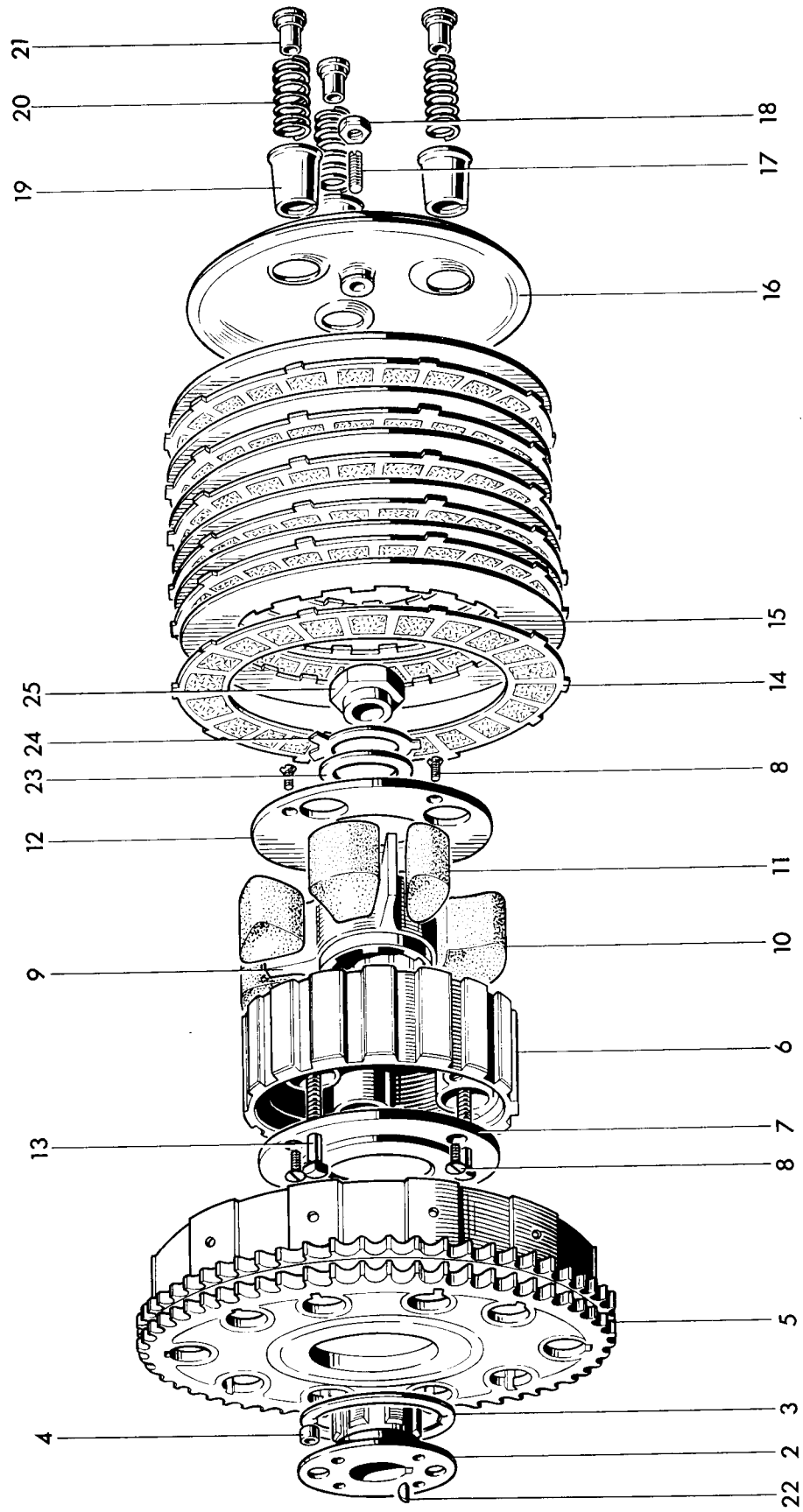


Fig. 10. CLUTCH

CLUTCH

Ref. No.	Part No.	DESCRIPTION	QUANTITY	REMARKS
				After Eng. Number DU 48144 Use
1	T1928	CLUTCH COMPLETE	1	
2	T1734	Hub	1	
3	T1735	Thrust washer	1	
4	T394	Roller	20	
5	T1570	Sprocket and housing (58 teeth Duplex)	1	
6	T1719	Centre	1	
7	T1720	Inner plate	1	
8	T1040	Countersunk screw (0.417 in. U.H.)	6	
9	T1721	Shock absorber spider	1	
10	T1722	Drive rubber (large)	3	
11	T1723	Rebound rubber (small)	3	
12	T1724	Outer plate	1	
13	T423A	Screwed pin ($1\frac{27}{32}$ in. U.H.)	3	
14	T1362	Driving plate (bonded)	6	
15	T1363	Driven plate	6	
16	T2156	Pressure plate	1	
17	T2159	Adjuster pin	1	
18	13206/00/1	Nut	1	
19	T1931	Spring cup	3	
20	T1830	Spring	3	
21	T427	Brass nut	3	
22	S66-1	Key	1	
23	T1045	Cupped washer	1	T2279
24	T1046	Tab washer	1	—
25	T1047	Clutch securing nut	1	S586

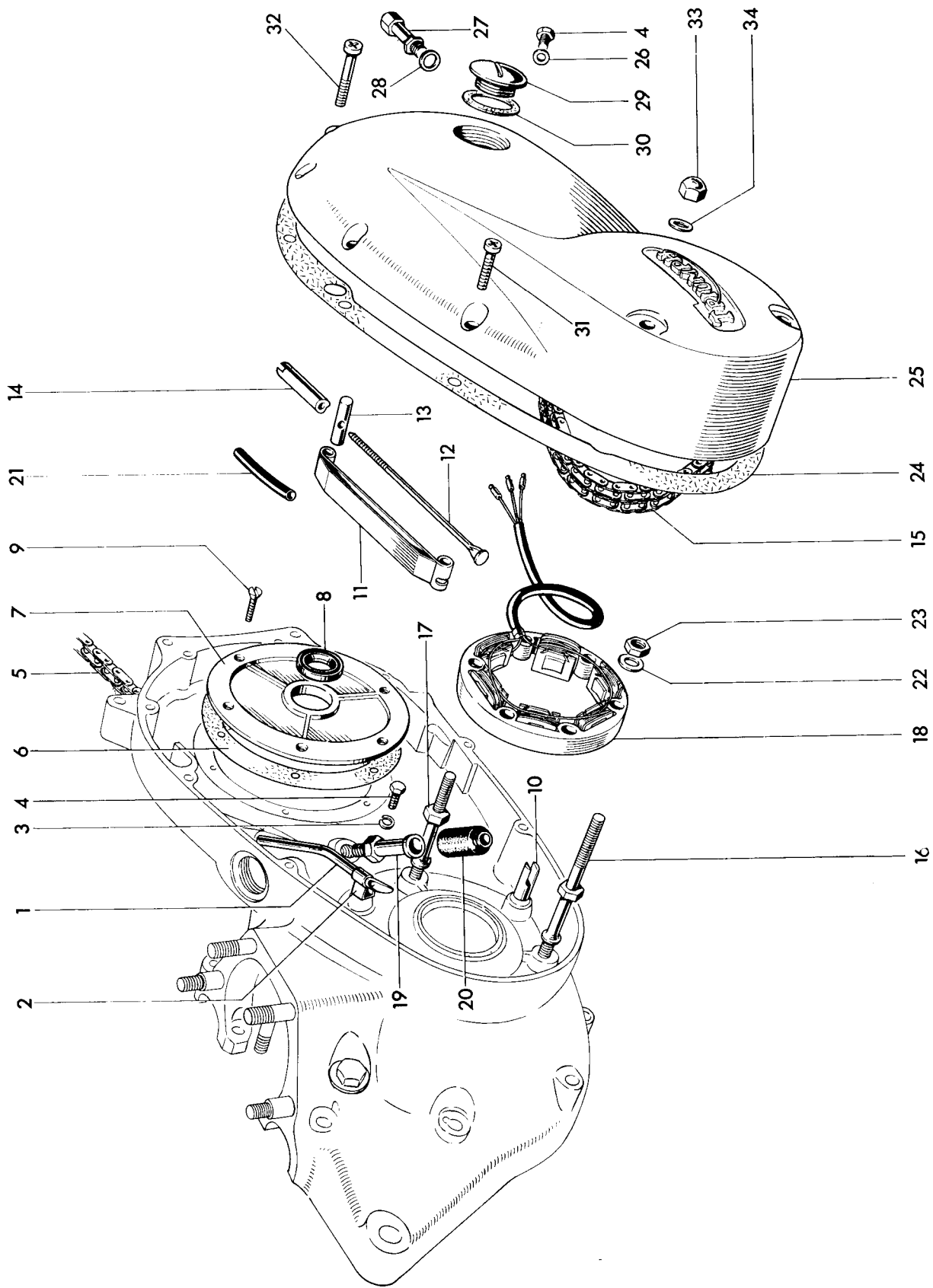


Fig. 11. CHAINCASE AND CHAINS

Ref. No.	Part No.	DESCRIPTION	QUANTITY	REMARKS
----------	----------	-------------	----------	---------

CHAINCASE AND CHAINS

1	E4704	Primary chain oiler tube	1	
2	E4705	Clip	1	
3	S26-2	Spring washer	1	
4	DS57	Bolt ($\frac{7}{16}$ in. U.H.)	2	
5	D530	Rear chain, $\frac{5}{8}$ in. x $\frac{3}{8}$ in. x 104 links	1	All except T120TT
5	D481	Rear chain, $\frac{5}{8}$ in. x $\frac{3}{8}$ in. x 103 links	1	T120TT
6	E3832	Joint washer	1	
7	E4577	Cover plate	1	
8	E4578	Oil seal	1	
9	E3821	Countersunk screw ($\frac{5}{16}$ in. U.H.)	6	
10	E5976	Chain tensioner abutment	1	
11	E6061	Chain tensioner blade	1	
12	E4152	Tie rod	1	
13	E5977	Trunnion	1	
14	E4153	Adjuster sleeve nut	1	
15	D477	Primary chain, $\frac{3}{8}$ in. Duplex x 84 links	1	
16	E4536	Stator stud	2	
17	E4537	Stator stud	1	
18	47162	Stator, RM 19	1	Coil Ignition
18	47188	Stator, RM 19	1	A.C. Ignition
19	E5872	Sleeve nut	1	
20	E4144	Rubber grommet	1	
21	E5449	Plastic sleeve	1	
22	S25-3	Plain washer	3	
23	E5324	Self-locking nut	3	
24	T1770	Joint washer	1	
25	T1727	Chaincase	1	
26	E2441	Copper washer	1	
27	E6347	Drain and adjuster plug	1	
28	T1738	Fibre washer	1	
29	E732	Filler plug	1	
30	NE507	Fibre washer	1	
31	E3204	Screw (1 in. U.H.)	6	
32	E4806	Screw ($\frac{29}{32}$ in. U.H.)	2	
33	H1531	Domed nut	2	
34	F1880	Copper washer	2	

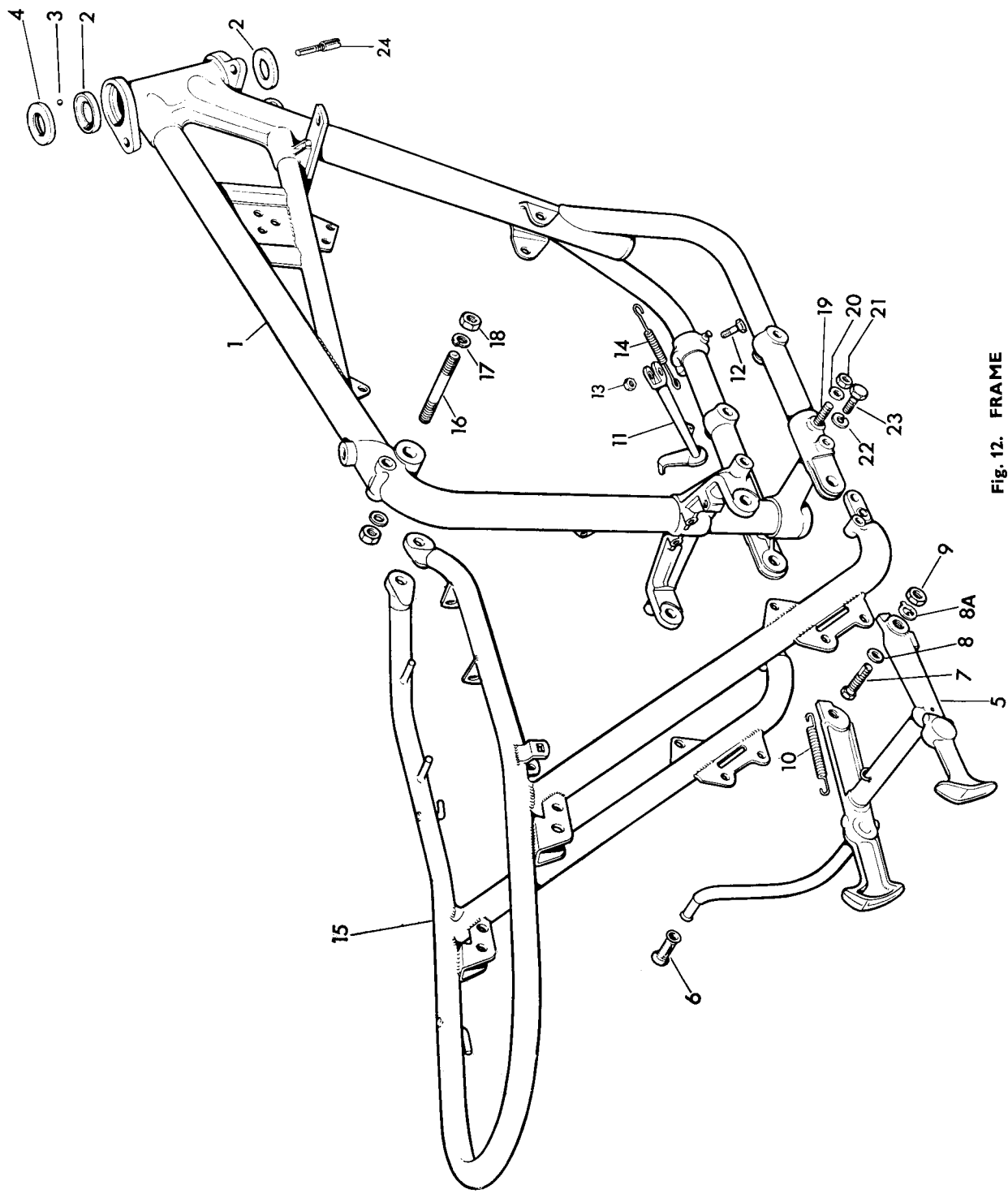


FIG. 12. FRAME

Ref. No.	Part No.	DESCRIPTION	QUANTITY	REMARKS
FRAME				
1	F7371	Front frame	1	
2	H111	Steering race cup	2	
3	S70-3	Steel ball ($\frac{1}{4}$ in. diam.)	40	
4	H1018	Top cone and dust cover	1	
5	F5932	Centre stand	1	
6	T449	Pedal rubber	1	
7	F5678	Pivot bolt	2	
8	F5679	Plain washer	2	
8A	F4484	Tab washer	2	
9	F2725	Nut	2	
10	F4671	Return spring	1	
11	F7357	PROP STAND COMPLETE	1	
11	F7373	PROP STAND COMPLETE	1	TR6C, T120TT
12	F7021	Pivot bolt	1	
13	15106/00/2	Self locking nut	1	
14	F2610	Return spring	1	
15	F7372	Rear frame	1	
16	F2842	Stud ($3\frac{7}{8}$ in. O.A.)	1	
17	S26-1	Spring washer	2	
18	S1-52	Nut	2	
19	F4369	Bolt ($2\frac{1}{8}$ in. U.H.)	2	
20	F4370	Plain washer	2	
21	DS47	Nut	2	
22	PCW73A	Spring washer	2	
23	S588	Bolt ($1\frac{3}{8}$ in. U.H.)	2	
24	F7155	Steering stop	2	

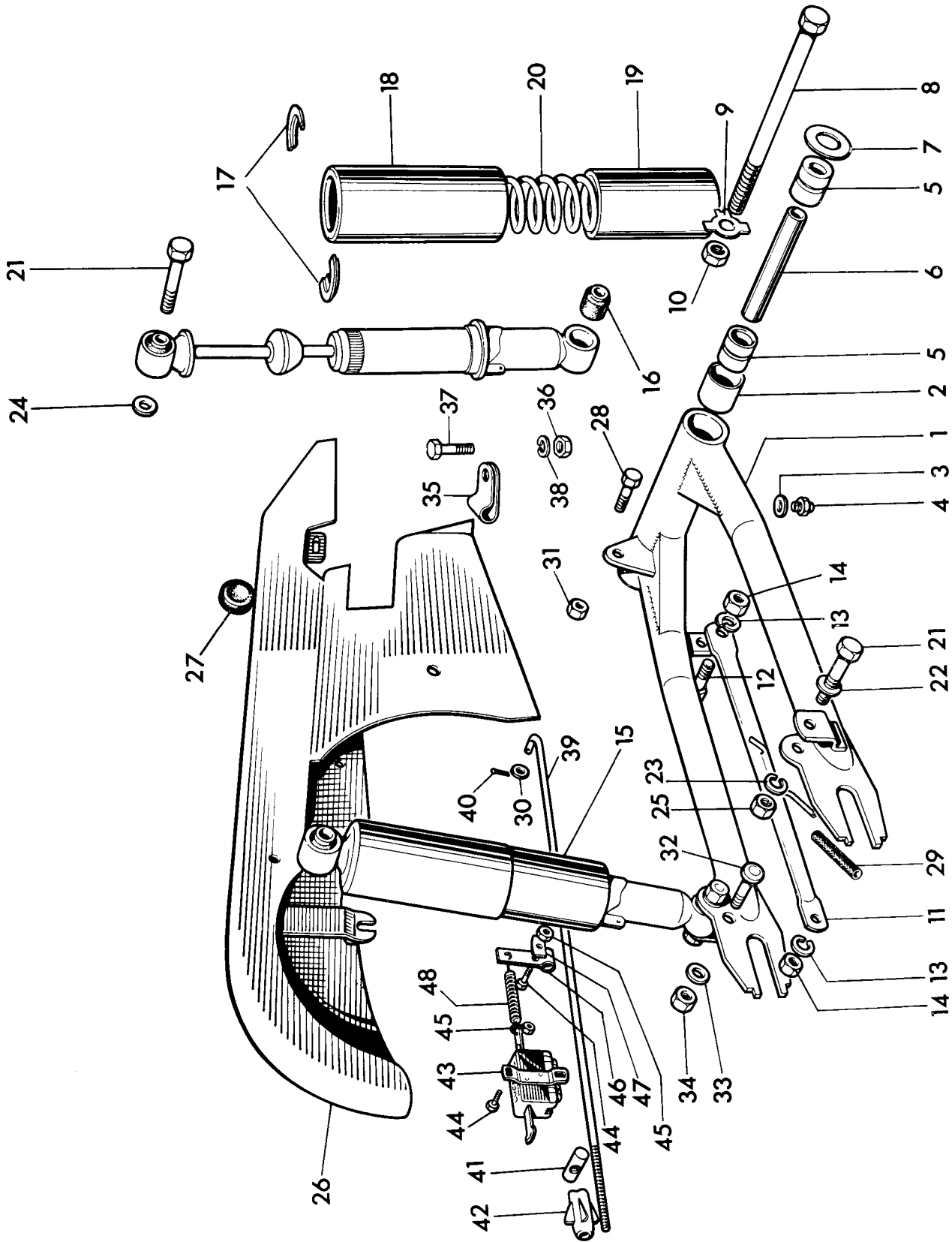


Fig. 13. SWINGING FORK AND SUSPENSION UNITS

Ref. No.	Part No.	DESCRIPTION	QUANTITY	REMARKS
SWINGING FORK AND SUSPENSION UNITS				
1	F6933	SWINGING FORK	1	
2	F6042	Pivot bush	2	
3	NW100	Grease nipple	1	
4	WE170	Fibre washer	1	
5	F6821	Sleeve	2	
6	F5313	Distance tube	1	
7	F6730	End plate (0.015 in. thicker use F7675)	2	
8	S591	Bolt ($8\frac{5}{8}$ in. U.H.)	1	
9	F5944	Tab washer	1	
10	S545	Nut	1	
11	F7365	Brake torque stay	1	
12	F5315	Bolt ($3\frac{7}{8}$ in. U.H.)	1	
13	PCW73A	Spring washer	2	
14	DS47	Nut	2	
15	†64054506	SUSPENSION UNIT	2	TR6, T120
15	†64054164	SUSPENSION UNIT	2	TR6C, TR6R T120R, T120TT
16	9054/316A	Bonded bush	4	
17	9054/171	Spring retainer	4	
18	9054/151	Outer dirt shield	2	
19	9054/47	Inner dirt shield	2	
20	SA253/5	Spring, 145 lbs. Blue/Yellow	2	TR6, T120
20	9054/280	Spring, 100 lbs. Green/Green	2	TR6C, TR6R T120R, T120TT
21	E2113	Unit fixing bolt ($1\frac{5}{16}$ in. U.H.)	4	
22	S25-2	Plain washer	2	
23	S26-1	Spring washer	2	
24	GS308	Plain washer	3	
25	P0172A	Nut	4	
26	F7067	Chainguard	1	
27	F5536	Grommet	1	
28	H590	Bolt ($\frac{9}{16}$ in. U.H.)	1	
29	F7364	Rubber tube	1	
30	S25-13	Plain washer	1	
31	W1691	Self-locking nut	1	
32	F4136	Stepped bolt	1	
33	S25-3	Plain washer	1	
34	S1-51	Nut	1	
35	F3808	Clip	1	
36	F879	Nut	1	
37	F1369	Bolt ($\frac{5}{8}$ in. U.H.)	1	
38	S26-2	Spring washer	1	
39	F7386	Brake operating rod	1	
40	$\frac{1}{8}$ in. x $\frac{3}{8}$ in.	Split pin	1	
41	W11	Pivot pin... ..	1	
42	F7387	Adjuster nut	1	
43	31437	Stop lamp switch, type 22B	1	
44	T1076	Screw ($\frac{3}{8}$ in. U.H.)	3	
45	F4717	Self locking nut	5	
46	F5412	Switch lever	1	
47	F5413	"D" washer	1	
48	315738	Spring (F.3158)	1	
	†SB4/275	Sidecar suspension unit		as required

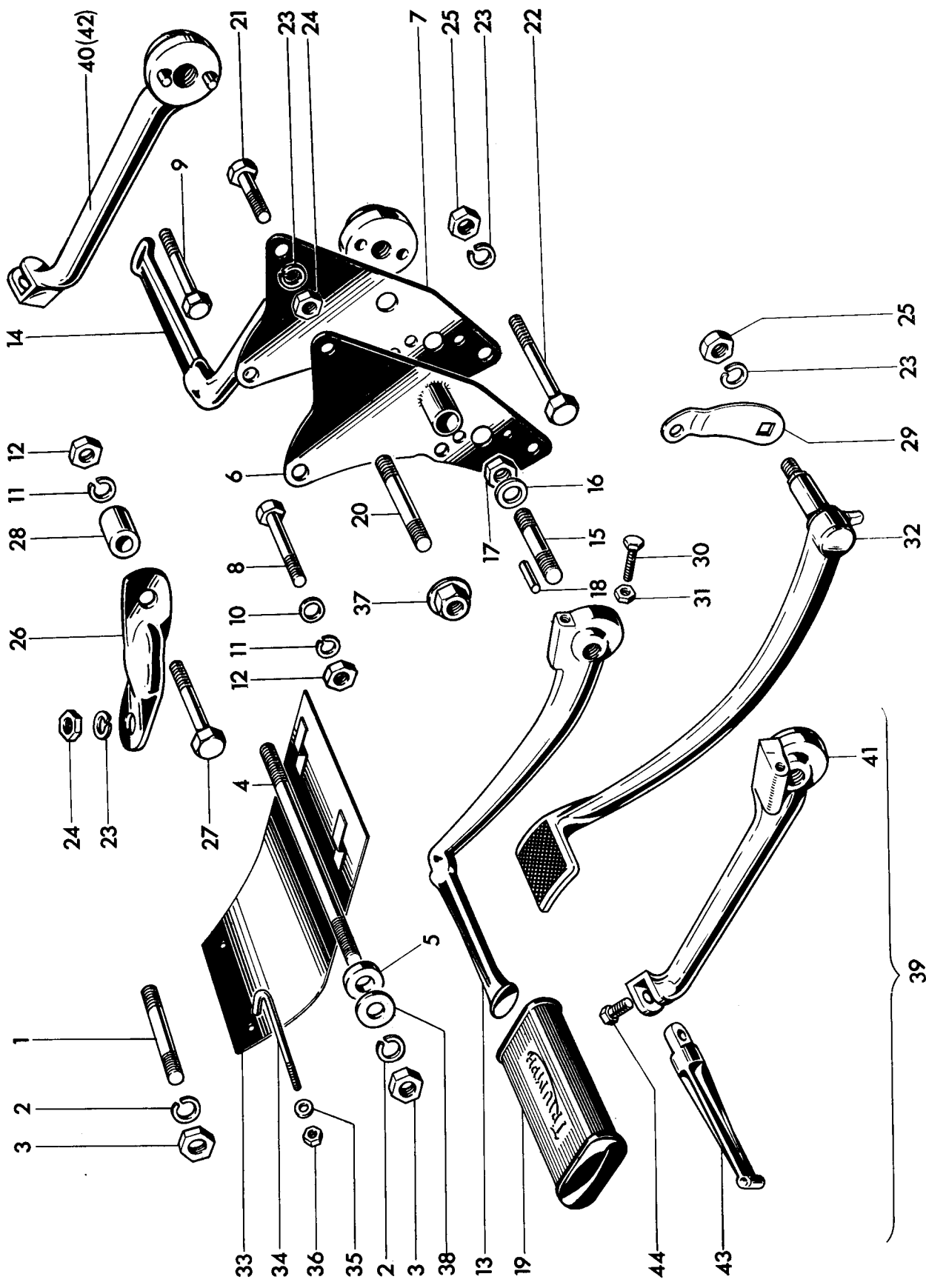


Fig. 14. ENGINE UNIT FITTING AND FOOTRESTS

ENGINE UNIT FITTINGS AND FOOTRESTS

1	F5469	Stud (3 $\frac{5}{16}$ in. O.A.)	1	
2	PCW73A	Spring washer	4	
3	DS47	Nut	4	
4	F6498	Stud (7 $\frac{7}{8}$ in. O.A.)	1	
5	F5532	Distance piece	2	
6	F6066	Left rear engine plate	1	
7	F5908	Right rear engine plate	1	
8	E4165	Bolt (1 $\frac{1}{4}$ in. U.H.)	2	
9	F5316	Bolt (1 $\frac{7}{8}$ in. U.H.)	2	
10	S25-3	Plain washer	4	
11	S26-3	Spring washer	6	
12	S1-51	Nut	6	
13	F6069	Left footrest	1	
14	F5910	Right footrest	1	
15	F5942	Stud (1 $\frac{9}{16}$ in. O.A.)	2	
16	S25-6	Plain washer	2	
17	S4-13	Nut	2	
18	F5943	Peg	4	
19	NF704	Footrest rubber	2	
20	S548	Stud (1 $\frac{3}{8}$ in. O.A.)	2	
21	F1031	Bolt (1 $\frac{5}{8}$ in. U.H.)	1	
21	H426	Bolt (2 $\frac{3}{32}$ in. U.H.)	1	
22	F3248	Bolt (1 $\frac{1}{2}$ in. U.H.)	2	
23	S26-1	Spring washer	9	
24	S1-52	Nut	7	
25	P0172A	Nut	3	
26	E4778	Engine torque stay	4	
27	F3805	Bolt (1 $\frac{5}{16}$ in. U.H.)	2	
28	F3069	Distance piece	4	
29	F6064	Brake pedal lever	1	
30	F1149	Bolt (1 $\frac{5}{8}$ in. U.H.)	1	
31	F879	Nut	1	
32	F6449	Brake pedal	1	
33	F5472	Crankcase undershield...	1	} TR6 & U.S.A. TR6C
34	F5788	Hook bolt	2	
35	S25-1	Plain washer	2	
36	F879	Nut	2	
37	F7389	Nut	2	
38	F4370	Plain washer	2	
39	F6653	LEFT FOOTREST ASSEMBLY	1	} U.S.A. TR6C & T120TT
40	F6654	RIGHT FOOTREST ASSEMBLY	1	
42	F6409	Left footrest	1	
41	F6410	Right footrest	1	
43	F6411	Footrest pedal	2	
44	F6655	Pivot bolt	2	

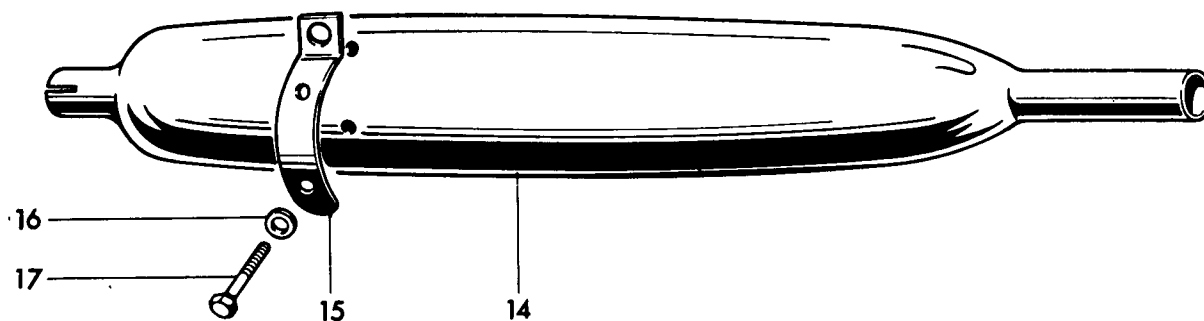
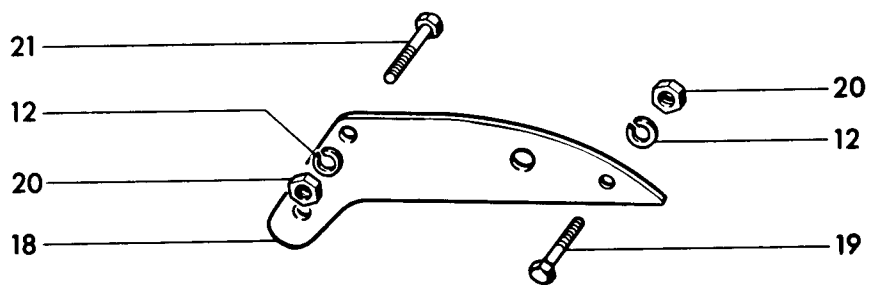
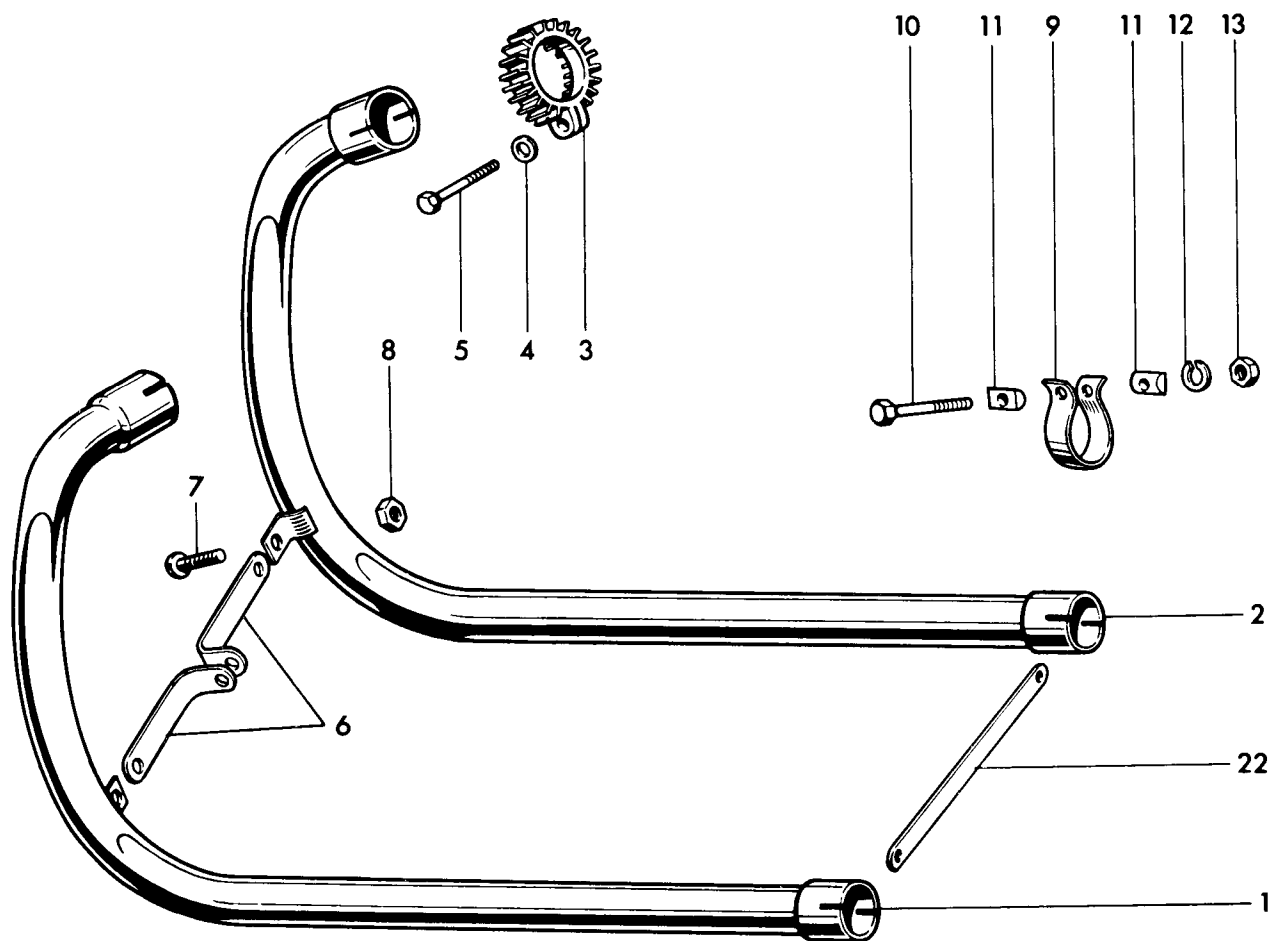


Fig. 15. EXHAUST PIPES AND SILENCERS

EXHAUST PIPES AND SILENCERS (See also Page 46)

1	E5957	Left exhaust pipe	1	
2	E5958	Right exhaust pipe	1	
3	E4501	Finned clip	2	
4	E410A	Hemispherical washer	2	
5	E409	Bolt ($1\frac{3}{16}$ in. U.H.)	2	
6	E6857	Stay	2	
7	E6179	Screw ($\frac{5}{8}$ in. U.H.)	2	
8	E3290	Self locking nut	2	
9	E2271	Clip	2	
10	F3430	Bolt ($1\frac{3}{4}$ in. U.H.)	2	
11	E3768	"D" washer	4	
12	S26-3	Spring washer	8	
13	E1310	Nut	2	
14	E4949	Silencer	2	
14	E5866	Silencer (Muffler)	2	TR6R, T120R
15	E4951	Bracket	2	
16	S25-3	Plain washer	4	
17	F929	Bolt ($\frac{1}{2}$ in. U.H.)	4	
18	E4711	Pillion footrest support	2	
19	F2335	Bolt ($\frac{1}{16}$ in. U.H.)	2	
20	SI-51	Nut	6	
21	DS58	Bolt ($\frac{3}{16}$ in. U.H.)	2	
22	E5676	Stay	1	

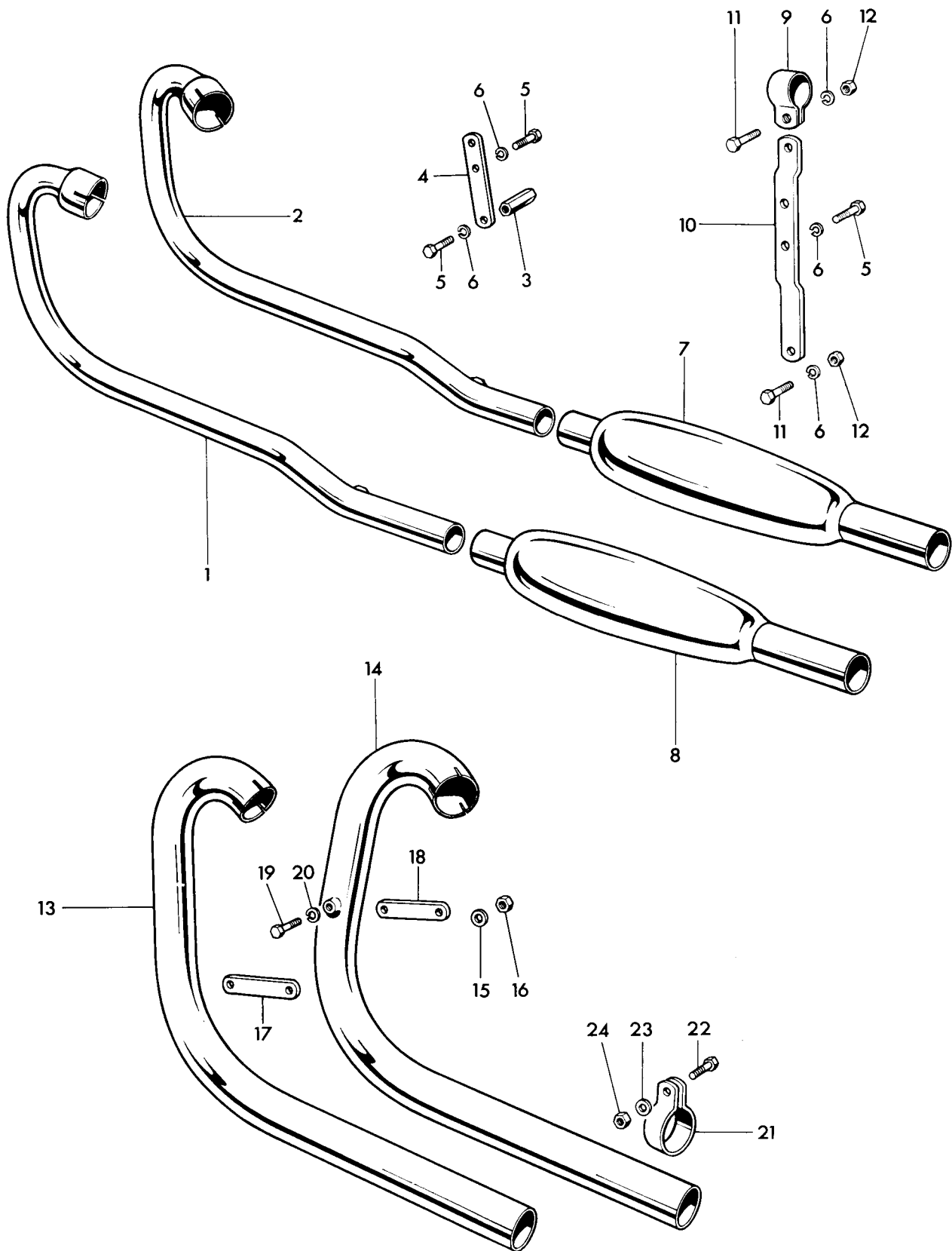


Fig. 16. EXHAUST PIPES AND MUFFLERS (U.S.A.)

EXHAUST PIPES AND MUFFLERS (U.S.A.)

1	E7024	Left exhaust pipe	1	TR6C
2	E7026	Right exhaust pipe	1	
3	E4889	Sleeve nut	2	
4	E6978	Stay	1	
5	H590	Bolt ($\frac{9}{16}$ in. U.H.)	4	
6	S26-3	Spring washer	6	
7	E6974	Upper muffler	1	
8	E6975	Lower muffler	1	
9	F7549	Clip	1	
10	E6979	Stay	1	
11	F2335	Bolt ($\frac{11}{16}$ in. U.H.)	2	T120TT
12	S1-51	Nut	2	
13	E5959	Left exhaust pipe	1	
14	E5961	Right exhaust pipe	1	
15	S25-3	Plain washer	2	
16	S1-51	Nut	2	
17	E5964	Left stay	1	
18	E5965	Right stay	1	
19	F929	Bolt ($\frac{1}{2}$ in. U.H.)	2	
20	S26-3	Spring washer	2	
21	E5966	Clip	2	
22	T1439	Bolt ($1\frac{3}{16}$ in. U.H.)	2	
23	F4299	Plain washer	2	
24	S1-51	Nut	2	

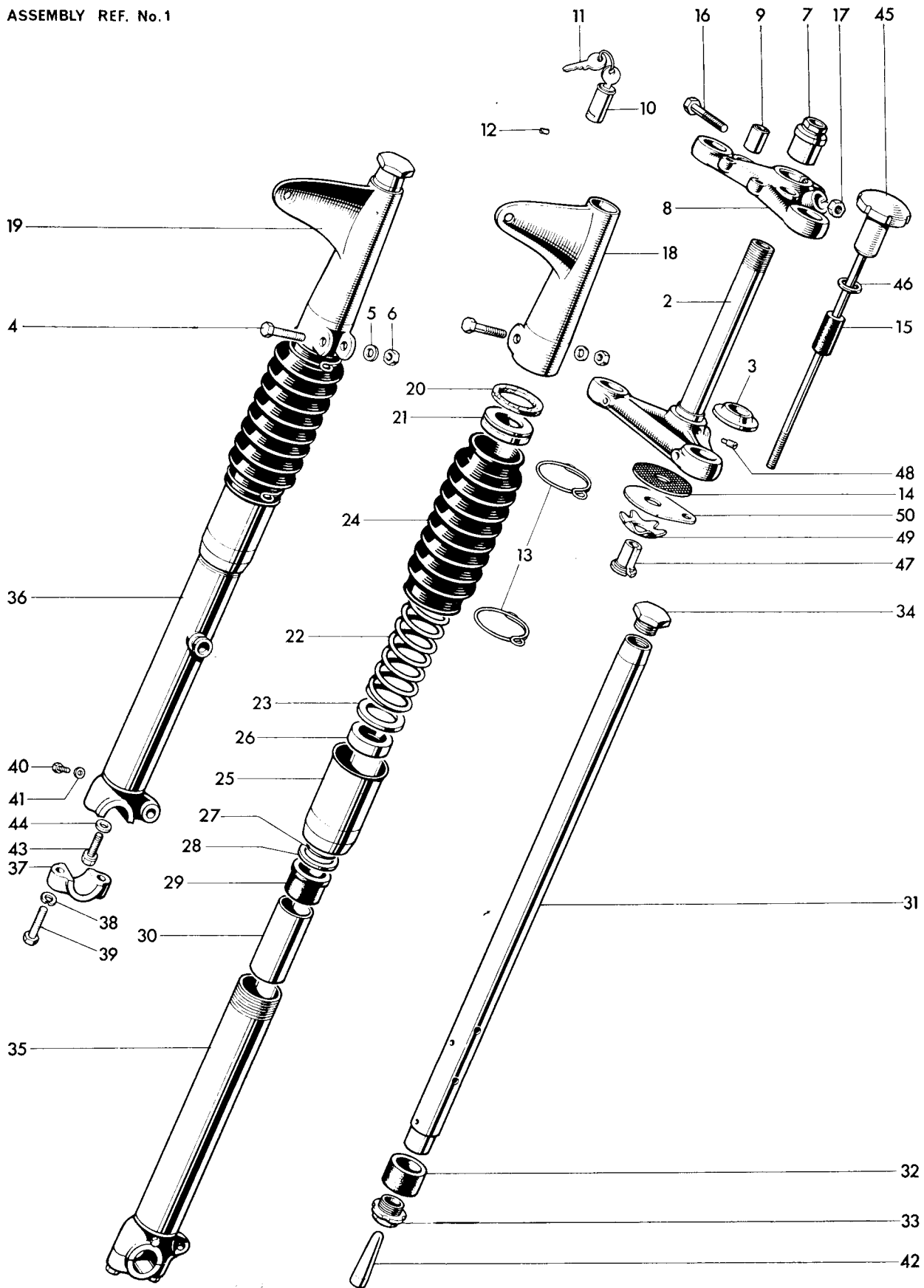


Fig. 17. TELESCOPIC FRONT FORK

Ref. No.	Part No.	DESCRIPTION	QUANTITY	REMARKS
TELESCOPIC FRONT FORK				
1	H2111	FORK ASSEMBLY	1	TR6, TR6R, T120
1	H2113	FORK ASSEMBLY	1	T120R
2	H2109	Middle lug and stem	1	TR6, TR6R, T120
2	H2110	Middle lug and stem	1	T120R
3	H439	Bottom cone	1	
4	H941	Pinch bolt (2¼ in. U.H.)	2	
5	S25-2	Plain washer	2	
6	E2412	Nut	2	
7	H2108	Fork stem sleeve nut	1	
8	H2100	TOP LUG ASSEMBLY	2	
9	H1527	Bonded bush	2	
10	F6738	Lock c/w 2 keys	1	
11	—	Key (state serial number)	1	
12	S578	Grub screw	1	
13	H2083	Gaiter clip	4	
14	H435	Friction disc	1	
15	H1618	Rubber sleeve	1	
16	F1760	Pinch bolt (1½ in. U.H.)	1	
17	H379	Seated nut	1	
18	H1888	Left top cover	1	
19	H1887	Right top cover	1	
20	F4047	Cork washer	2	
21	H1657	Spring abutment	2	
22	H1891	Solo main spring (Yellow/Blue)	2	
22	H1892	Sidecar main spring (Yellow/Green)	2	
23	H1656	Plain washer	2	
24	H1645	Telescopic gaiter	2	
25	H1654	DUST EXCLUDER SLEEVE NUT	2	
26	H1500	Oil seal	2	
27	H2119	“O” ring	2	
28	H431	Plain washer	2	
29	H441	Top bearing	2	
30	H1896	Damping sleeve	2	
31	H1889	STANCHION c/w BEARING	2	
32	H443	Lower bearing	2	
33	H1058	Bearing nut	2	
34	H1658	Cap nut	2	
35	H1842	LEFT BOTTOM MEMBER c/w CAP	1	
36	H1843	RIGHT BOTTOM MEMBER c/w CAP	1	
37	H1844	Spindle cap	2	
38	S26-3	Spring washer	4	
39	H1070	Cap bolt (1⅞ in. U.H.)	4	
40	H1071	Drain plug	2	
41	H430	Fibre washer	2	
42	H1499	Restrictor	2	
43	H1063	Flanged bolt (2⅜ in. U.H.)	2	
44	H1062	Aluminium washer	2	
45	H1142	Steering damper rod c/w knob	1	
46	H565	Plain washer	1	
47	H408	Adjuster sleeve	1	
48	H2107	Locating pin	1	
49	H95	Spring plate	1	
50	H1797	Anchor plate	1	

FORK ASSEMBLY REF. N°1

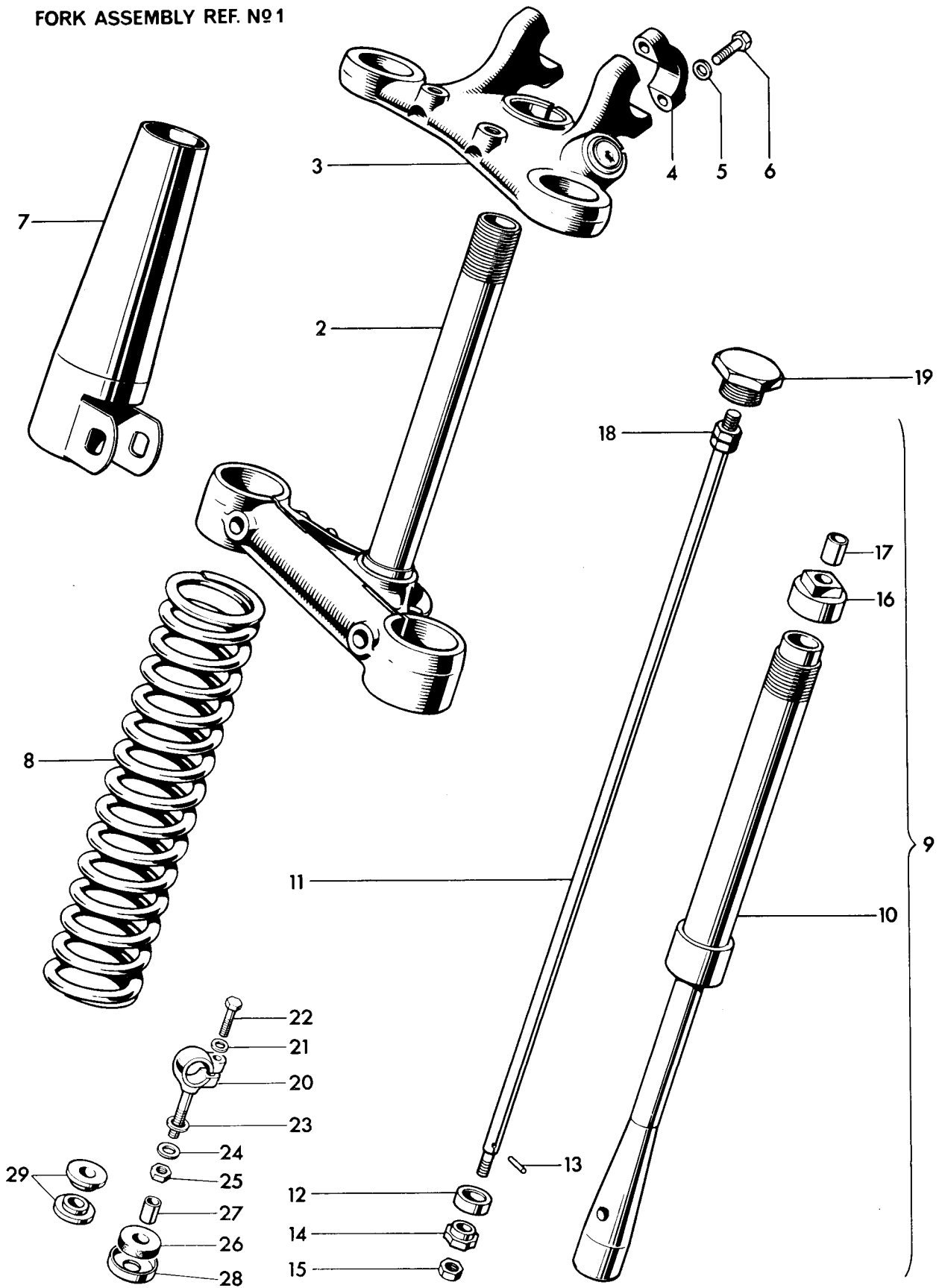


Fig. 18. TELESCOPIC FRONT FORK, U.S.A. TR6C AND T120TT

TELESCOPIC FRONT FORK, U.S.A. TR6C AND T120TT

1	H2112	FORK ASSEMBLY	1	
2	H2110	Middle lug and stem	1	
3	H2099	TOP LUG c/w CAPS AND LOCK	1	
4	H722	Cap	2	
5	S25-3	Plain washer	4	
6	S589	Bolt (1 $\frac{1}{8}$ in. U.H.)	4	
7	H1696	Top cover	2	T120TT
8	H1892	Main spring (yellow/green)	2	
9	H1913	DAMPER ASSEMBLY	2	
10	H1893	Restrictor body	2	
11	H1897	Rod	2	
12	H1764	Cup	2	
13	H454	Pin	2	
14	H452	Oil restrictor... ..	2	
15	F879	Nut	2	
16	H2102	Restrictor body cap c/w bush	2	
17	H2104	Bush	2	
18	T224	Nut	4	
19	H1762	Cap nut	2	

All other parts are as listed on Page 49

HANDLEBAR MOUNTINGS

20	H1523	Handlebar eyebolt	2	}
21	F1335	Plain washer	2	
22	H1340	Bolt (1 $\frac{1}{8}$ in. U.H.)	2	}
23	H1708	Plain washer	2	
24	H1529	Hemispherical washer	2	}
25	F3955	Self-locking nut	2	
26	H1580	Steady rubber	2	}
27	H1581	Distance piece	2	
28	F3814	Cup	2	}
29	H1616	Solid bush (for handlebar-mounted windscreen)	as required	

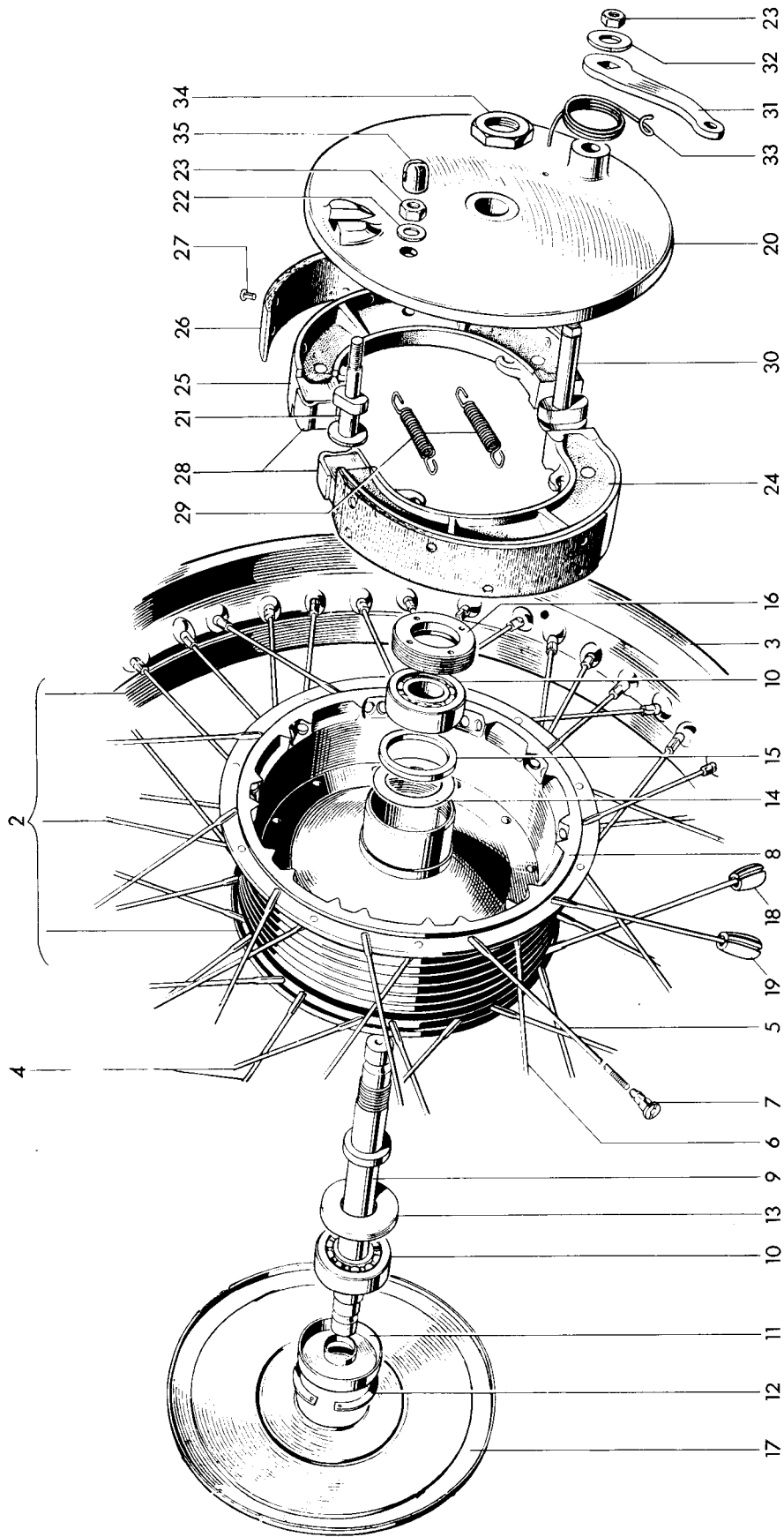


Fig. 19. FRONT WHEEL

Ref. No.	Part No.	DESCRIPTION	QUANTITY	REMARKS
----------	----------	-------------	----------	---------

FRONT WHEEL

1	W1720	FRONT WHEEL COMPLETE	1	
2	W1721	RIM, SPOKES AND HUB ASSEMBLY	1	
3	W1230	Front wheel rim (WM2-19)	1	
4	W1328	Spoke (8/10G x 5 ⁵ / ₈ in. straight) c/w nipple	20	
5	W1708	Spoke (8/10G x 4 ³ / ₂ in. 78°) c/w nipple	10	
6	W1709	Spoke (8/10G x 4 ⁷ / ₈ in. 100°) c/w nipple	10	
7	S79-2	Spoke nipple	40	
8	W1722	Hub and brake drum	1	
9	W1641	Wheel spindle	1	
10	W653	Bearing	2	
11	W1237	Dust cover	1	
12	T280	Circlip	1	
13	W1481	Grease retainer	1	
14	W1474	Grease retainer (brake side)	1	
15	W1238	Backing ring	1	
16	W582	Retaining ring	1	
17	W1332	Cover plate	1	
18	W1197	Balance weight, 1/2 oz.		as required
19	W1198	Balance weight, 1 oz.		as required
20	W1330	Brake anchor plate	1	
21	W1639	Fulcrum pin	1	
22	S25-2	Plain washer	1	
23	S1-52	Nut	2	
24	W1732	LEADING BRAKE SHOE c/w LINING	1	
25	W1733	TRAILING BRAKE SHOE c/w LINING	1	
26	W1734	Brake lining	2	
27	W129	Brass rivet	16	
28	W1415	Pivot pad	2	
29	W135	Shoe return spring	2	
30	W1243	Brake cam	1	
31	W1331X	Brake cam lever	1	
32	S25-6	Plain washer	1	
33	W592	Lever return spring	1	
34	W1246	Anchor plate nut	1	
35	W1640	Abutment (9/16 in. deep)		as required
35	W1711	Abutment (13/16 in. deep)		as required

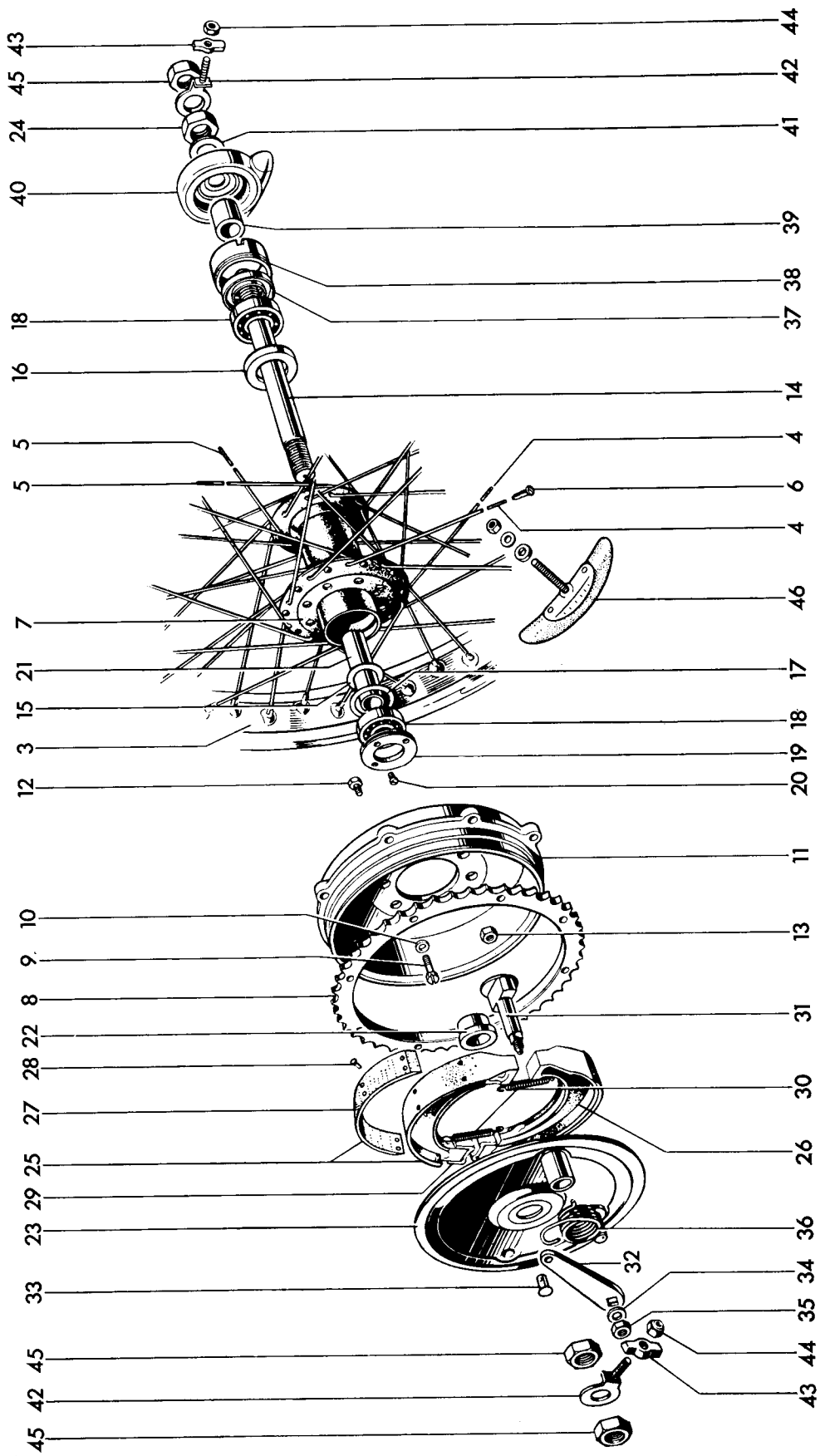


Fig. 20. REAR WHEEL

Ref. No.	Part No.	DESCRIPTION	QUANTITY	REMARKS
REAR WHEEL				
1	W1741	REAR WHEEL COMPLETE	1	TR6 & T120
1	W1742	REAR WHEEL COMPLETE	1	U.S.A. TR6 & T120
2	W1470	RIM, SPOKES AND HUB ASSEMBLY	1	TR6 & T120
2	W1486	RIM, SPOKES AND HUB ASSEMBLY	1	U.S.A. TR6 & T120
3	W1471	Rear wheel rim WM2-18	1	TR6 & T120
3	W1007	Rear wheel rim WM3-18	1	U.S.A. TR6 & T120
4	W1107	Spoke (8/10G x 7 $\frac{9}{16}$ in. 90°) c/w nipple	20	
5	W1108	Spoke (8/10G x 7 $\frac{7}{8}$ in. 90°) c/w nipple	20	
6	S79-2	Spoke nipple	40	
7	W1472	Hub	1	
8	W1499	Sprocket, 46T	1	
9	W1500	Bolt ($\frac{3}{8}$ in. U.H.)	8	
10	E1612	Serrated washer	8	
11	W1498	Brake drum	1	
12	W1690	Bolt ($\frac{1}{8}$ in. U.H.)	8	
13	W1691	Self locking nut	8	
14	W1281	Wheel spindle	1	
15	W1474	Grease retainer (brake side)	1	
16	W1654	Grease retainer	1	
17	W1022	Backing ring	1	
18	W653	Bearing	2	
19	W1021	RETAINING RING	1	
20	W1710	Locking screw ($\frac{5}{16}$ in. U.H.)	1	
21	W1278	Distance tube	1	
22	W1024	Distance piece	1	
23	W1112	Brake anchor plate	1	
24	W1282	Nut	1	
25	W1406	LEADING BRAKE SHOE C/W LINING	1	
26	W1407	TRAILING BRAKE SHOE C/W LINING	1	
27	NW243	Brake lining	2	
28	W129	Brass rivet	16	
29	W1415	Thrust pad	2	
30	W135	Shoe return spring	2	
31	W1083	Brake cam	1	
32	W1466	Brake cam lever	1	
33	W1467	Pivot pin	1	
34	S25-6	Plain washer	1	
35	S1-52	Nut	1	
36	W1090	Lever return spring	1	
37	W1635	Grease retainer	1	
38	W1476	Speedometer adaptor	1	
39	W1477	Distance piece	1	
40	D637	Speedometer gearbox	1	
41	W1280	Plain washer	1	
42	W1134	Chain adjuster	2	
43	W1015	Adjuster end plate	2	
44	W1058	Self-locking nut	2	
45	F1747	Spindle nut	3	
46	D106	Tyre security bolt (WM2)	2	TR6 & T120
46	WM3	Tire security bolt	2	U.S.A. TR6 & T120

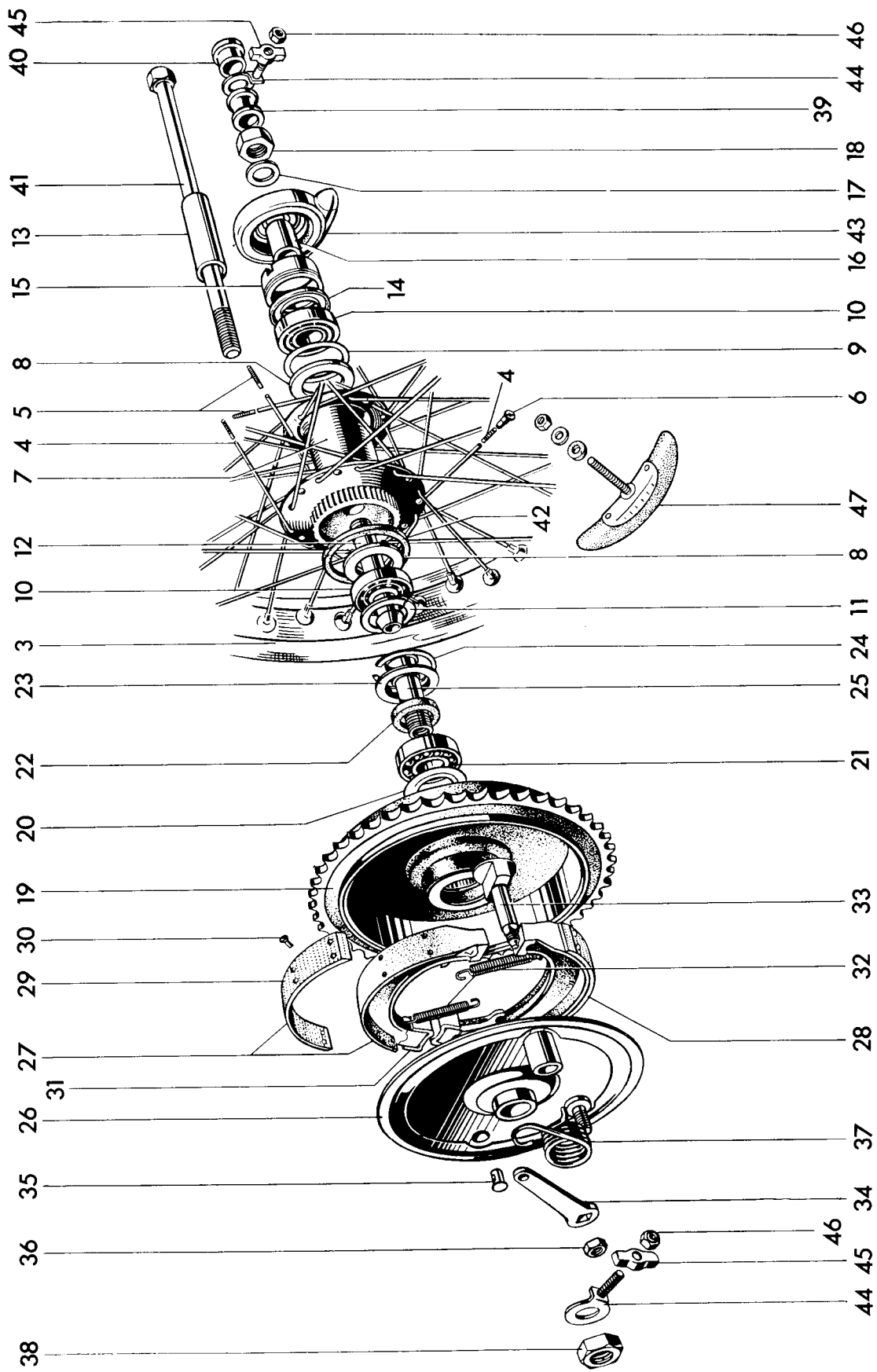


Fig. 21. QUICKLY DETACHABLE REAR WHEEL (NOT U.S.A.)

Ref. No.	Part No.	DESCRIPTION	QUANTITY	REMARKS
----------	----------	-------------	----------	---------

QUICKLY DETACHABLE REAR WHEEL (NOT U.S.A.)

1	W1813	Q.D. REAR WHEEL COMPLETE	1	TR6, T120
1	W1814	Q.D. REAR WHEEL COMPLETE	1	TR6, as required
2	W1747	RIM, SPOKES AND HUB ASSEMBLY	1	TR6, T120
2	W1603	RIM, SPOKES AND HUB ASSEMBLY	1	TR6, as required
3	W1471	Rear wheel rim WM2-18	1	TR6, T120
3	W1007	Rear wheel rim WM3-18	1	TR6, as required
4	W1107	Spoke (8/10 x 7 ⁹ / ₁₆ in. 90°) c/w nipple	20	
5	W1108	Spoke (8/10G x 7 ⁷ / ₈ in. 90°) c/w nipple	20	
6	S79-2	Spoke nipple	40	
7	W1593	Hub	1	
8	W1595	Grease retainer	2	
9	W1509	Backing ring	1	
10	S35-7	Bearing	2	
11	W1596	Dust cap	1	
12	W1614	Bearing sleeve	1	
13	W1598	Distance piece (inner)	1	
14	W1635	Grease retainer	1	
15	W1599	Locking ring	1	
16	W1477	Distance piece (outer)	1	
17	W1280	Plain washer	1	
18	W1282	Nut	1	
19	W1040	Sprocket and brake drum 46T	1	
20	W1143	Grease retainer	1	
21	W1041	Bearing	1	
22	W1042	Felt washer	1	
23	W1043	Bearing and felt retainer	1	
24	W1044	Circlip	1	
25	W1045	Bearing sleeve	1	
26	W1121	Brake anchor plate	1	
27	W1406	LEADING BRAKE SHOE C/W LINING	1	
28	W1407	TRAILING BRAKE SHOE C/W LINING	1	
29	NW243	Brake lining	2	
30	W129	Brass rivet	16	
31	W1415	Thrust pad	2	
32	W135	Shoe return spring	2	
33	W1083	Brake cam	1	
34	W1466	Brake cam lever	1	
35	W1467	Pivot pin	1	
36	S1-52	Nut	1	
37	W1090	Lever return spring	1	
38	W1052	Nut	1	
39	W1392	Inner distance piece	1	
40	W1170	Outer distance piece	1	
41	W1055	Spindle	1	
42	W1091	Rubber sealing ring	1	
43	D637	Speedometer gearbox	1	
44	W1135	Chain adjuster	2	
45	W1015	Adjuster end plate	2	
46	W1058	Self-locking nut	2	
47	D106	Tyre security bolt, WM2	2	TR6, T120
47	WM3	Tyre security bolt	2	TR6, as required

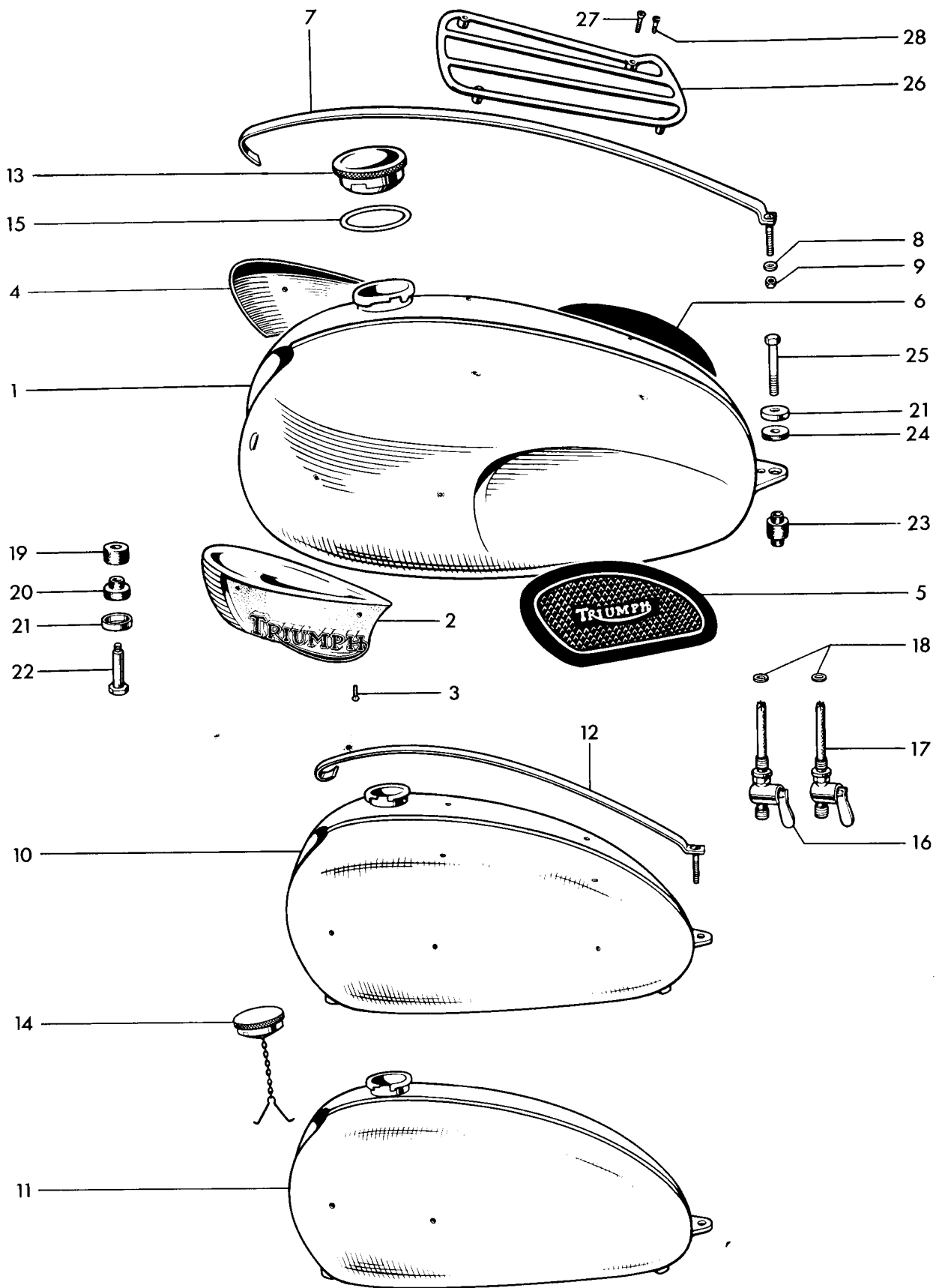


Fig. 22. PETROL (GAS) TANKS

Ref. No.	Part No.	DESCRIPTION	QUANTITY	REMARKS
----------	----------	-------------	----------	---------

PETROL (GAS) TANKS

1	F7004	Petrol tank (4 gallons)	1	TR6 & T120
2	F6887	Styling unit (left)	1	
3	F4129	Styling unit screw (0.435 in. U.H.)	4	
4	F6888	Styling unit (right)	1	
5	F5401	Left knee grip	1	
6	F5402	Right knee grip	1	
7	F5398	Centre styling strip	1	TR6 & T120
8	F4019	Serrated washer	1	
9	H919	Nut	1	
10	F7003	Petrol tank (3½ gallons)	1	TR6R
11	F6728	Petrol tank (2½ gallons)	1	TR6C, T120R, T120TT U.S.A., TR6R
12	F5564	Centre styling strip	1	
13	F3220	FILLER CAP	1	
14	F3219	FILLER CAP c/w JACK CHAIN	1	TR6C, T120TT
15	F4048	Joint washer	1	
16	F4971	Petrol tap (left)...	1	
17	F4972	Petrol tap with reserve tube	1	
18	F1511	Fibre washer	2	
19	F5228	Rubber washer	2	
20	F5229	Spigot rubber	2	
21	F3814	Cup	3	
22	F1808	Shouldered bolt	2	
23	F5336	Double spigot rubber	1	
24	F967	Rubber washer	1	
25	F7388	Bolt (1½ in. U.H.)	1	
26	F3917	Parcel grid	1	
27	F2936	Screw	1	
28	F4384	Rubber blanking plug	as required	

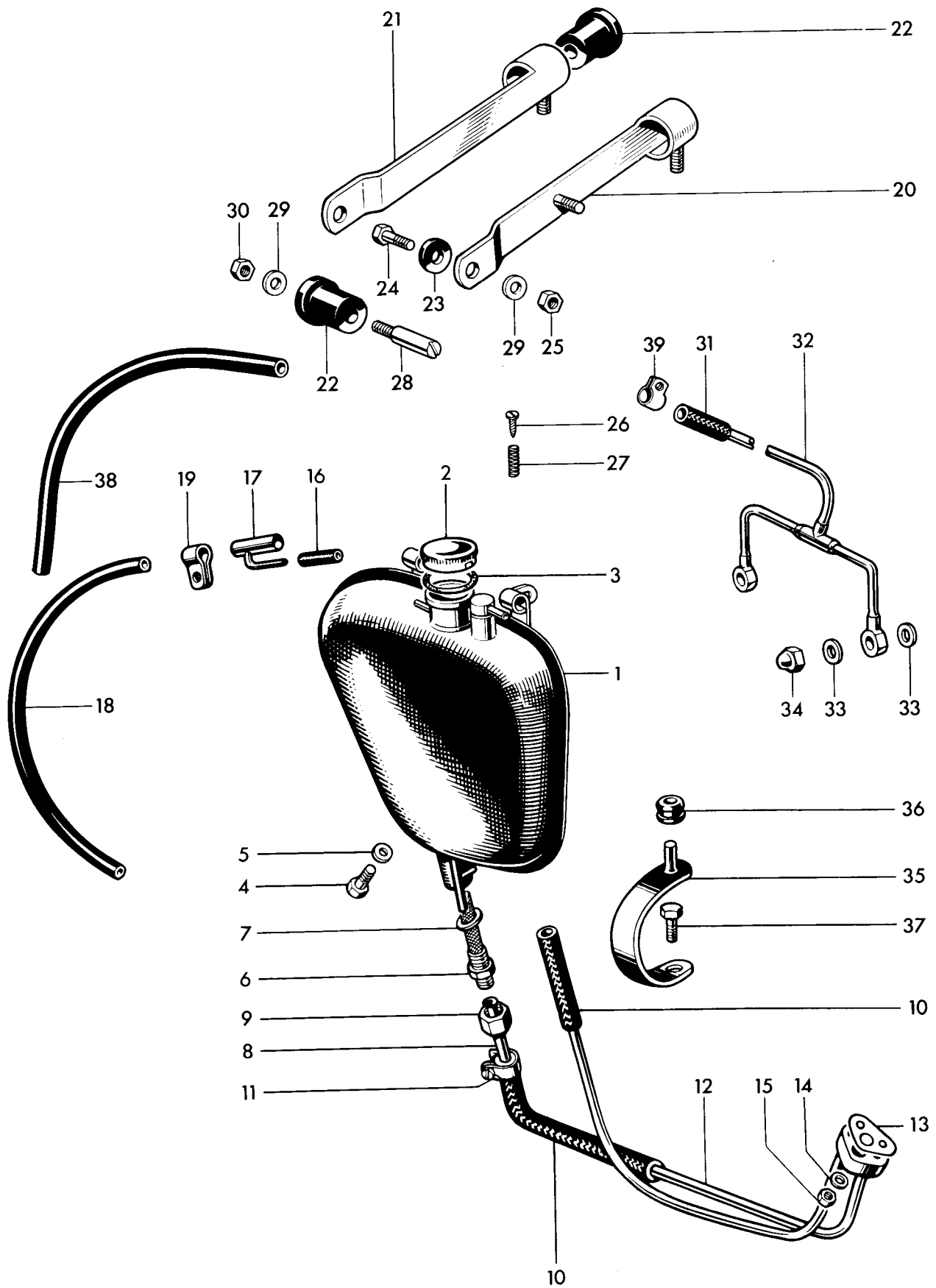


Fig. 23. OIL TANK

Ref. No.	Part No.	DESCRIPTION	QUANTITY	REMARKS
----------	----------	-------------	----------	---------

OIL TANK

1	F6877	Oil tank ...	1	
2	F3216	FILLER CAP ...	1	
3	F4047	Joint washer	1	
4	F5343	Drain plug	1	
5	PT104B	Fibre washer	1	
6	F3179	Oil tank filter	1	
7	F1713	Fibre washer	1	
8	F3655	Upper feed pipe	1	
9	F3182	Union nut	1	
10	E4594	Flexible connector	2	
11	E6848	Clip	4	
12	E6930	Oil pipes and junction block	1	
13	E3763	Joint washer	1	
14	E3446	Plain washer	1	
15	E1310	Nut	1	
16	E6356	Vent pipe	1	
17	E5370	"T" piece	1	
18	F7353	Extension pipe	1	
19	F3098	Clip	2	
20	F7383	Front strap	1	
21	F7384	Rear Strap	1	
22	F6673	Spigot rubber	4	
23	F6968	Rubber washer	2	
24	11104/06/2	Bolt ($\frac{3}{8}$ in. U.H.)	2	
25	15104/00/2	Self locking nut	2	
26	F6511	Metering screw	1	
27	F6874	Coil spring	1	
28	F6672	Screwed peg	2	
29	S25-13	Plain washer	4	
30	F879	Nut	2	
31	E6353	Rubber connector	1	
32	E6349	Rocker oil feed pipe	1	
33	E1335	Copper washer	4	
34	E1435	Domed nut	2	
35	F6147	Bracket	1	
36	F6039	Grommet	1	
37	11105/04/2	Bolt ($\frac{1}{2}$ in. U.H.)	1	
38	F7352	Flexible pipe	1	
39	E6849	Clip	1	

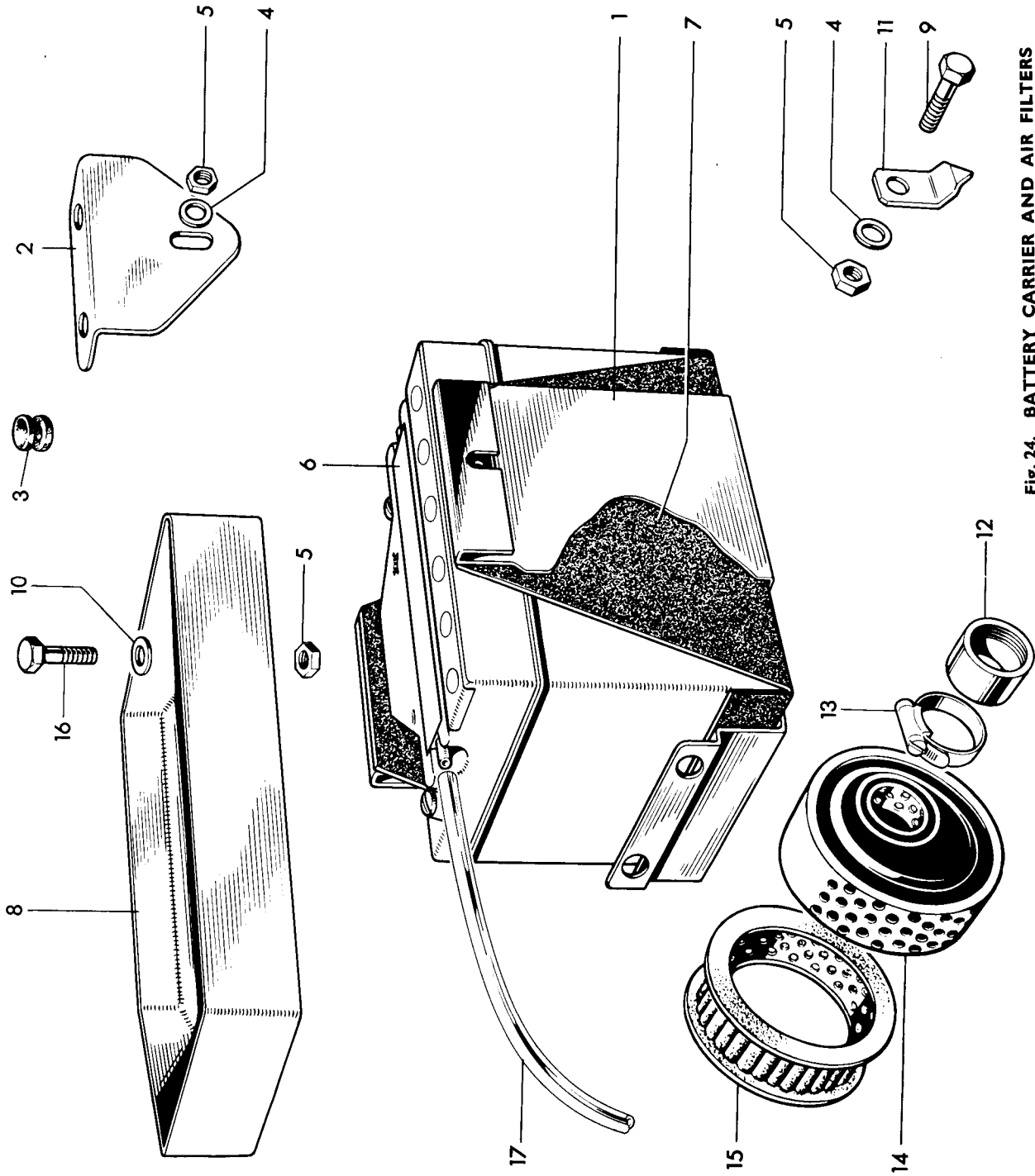


Fig. 24. BATTERY CARRIER AND AIR FILTERS

Ref. No.	Part No.	DESCRIPTION	QUANTITY	REMARKS
----------	----------	-------------	----------	---------

BATTERY CARRIER AND AIR FILTERS

1	F6891	Battery carrier	1	
2	F6897	Retainer	2	
3	E6226	Rubber	4	
4	S25-1	Plain washer	3	
5	13104/00/2	Nut	7	
6	PUZ5A	Battery	1	
7	F6969	Battery carrier lining	1	
8	F6901	Tool tray	1	
9	F1369	Bolt ($\frac{5}{8}$ in. U.H.)	1	
10	S25-13	Plain washer	2	
11	F6883	Inflator bracket	2	
12	F5958	Adaptor sleeve	1	(T120R, T120TT-2 off)
13	D177/9	Clip	1	(T120R, T120TT-2 off)
14	F6431	AIR FILTER	1	(T120R, T120TT-2 off)
15	F5764	Filter element (coarse felt)	1	
14	F6432	AIR FILTER	1	U.S.A. TR6
15	F5694	Filter element (paper)	1	U.S.A. TR6
16	DS57	Bolt ($\frac{7}{16}$ in. U.H.)	2	
17	F7431	Vent pipe	1	

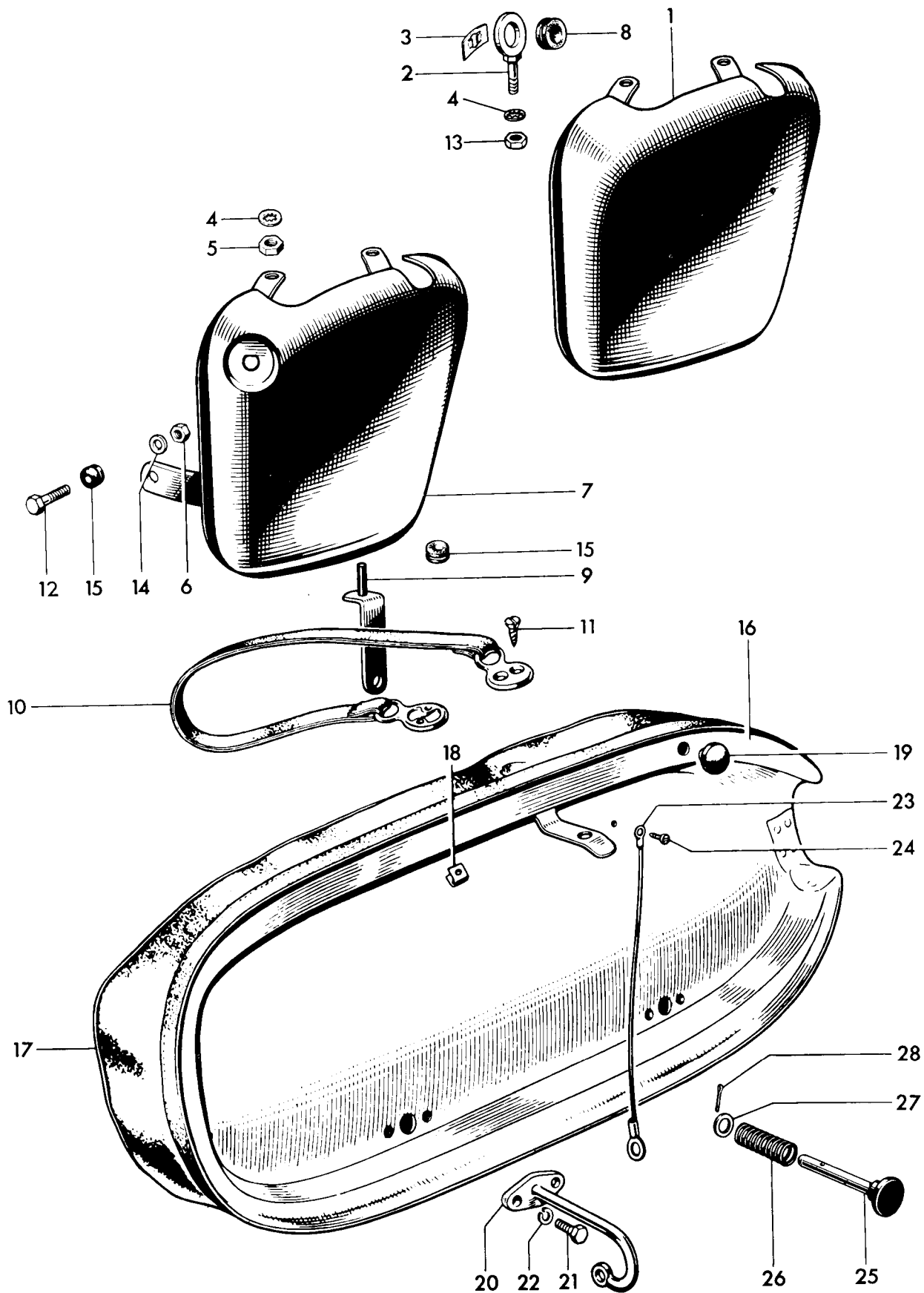


Fig. 25. PANEL AND TWINSEAT

Ref. No.	Part No.	DESCRIPTION	QUANTITY	REMARKS
PANEL AND TWINSEAT				
1	F6962	Left panel	1	TR6C & T120TT
2	F7036	Eyebolt	2	TR6C & T120TT
3	S575	Spire nut (Push fix)	2	TR6C & T120TT
4	E1612	Serrated washer	2	
5	13104/00/2	Nut	2	
6	15104/00/2	Self-locking nut	1	
7	F7359	Switch panel	1	TR6 & T120
8	H961	Grommet	2	TR6C & T120TT
9	F5939	Fixing bracket	1	
10	F7553	Safety strap		as required
11	F4365	Self tapping screw	4	
12	11104/06/2	Bolt ($\frac{3}{8}$ in. U.H.)	1	
13	F879	Nut	2	
14	S25-4J	Washer	1	
15	F5466	Grommet	3	
16	†F7776	TWINSEAT (Grey top)	1	
17	†F7777	Twinseat cover c/w clips (Grey top)	1	
18	F4475	Clip		as required
19	F4898	Rubber buffer	2	
20	F4222	Hinge	2	
21	11104/04/2	Bolt ($\frac{1}{2}$ in. U.H.)	4	
22	S26-2	Spring washer	4	
23	D374	Check wire	1	
24	F4483	Self tapping screw	1	
25	F7560	Seat catch plunger	1	
26	F4228	Spring	1	
27	E1719A	Plain washer	1	
28	$\frac{3}{32}$ in. x $\frac{1}{2}$ in.	Split pin...	1	
	†F7482	TWINSEAT (Black top)	1	TR6C, T120TT
	†F7489	Twinseat cover (Black top)	1	TR6C, T120TT

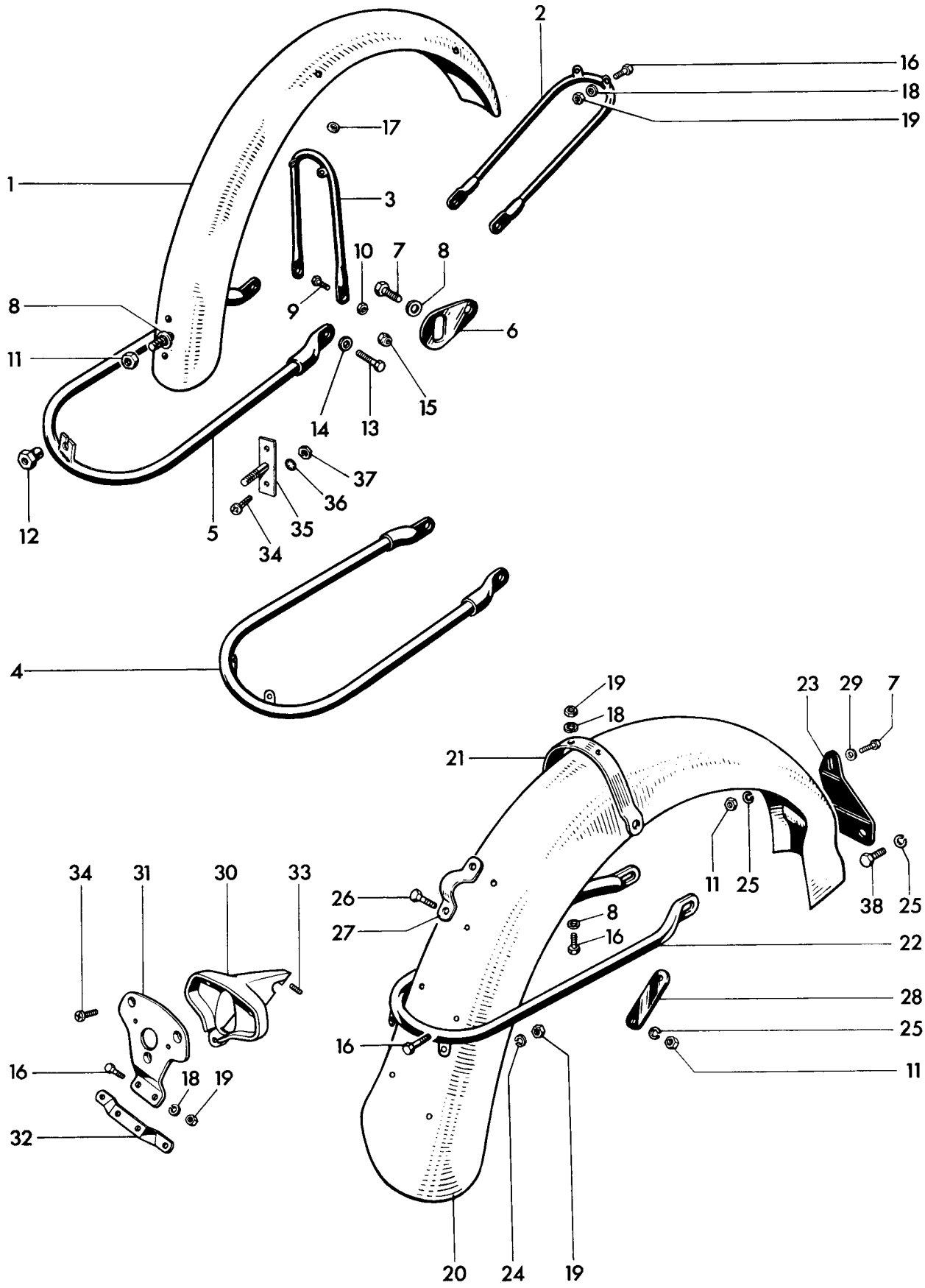


Fig. 26. MUDGUARDS (FENDERS U.S.A.)

Ref. No.	Part No.	DESCRIPTION	QUANTITY	REMARKS
MUDGUARDS (FENDERS U.S.A.)				
1	H1677	Front mudguard	1	TR6, T120
1	H1997	Front fender (stainless steel)	1	T120R, T120TT TR6C
2	H1681	Front stay	1	
3	H1683	Centre bridge	1	
4	H1678	Bottom stay	1	TR6C, TR6R T120R, T120TT
5	H1482	Bottom stay	1	TR6, T120
6	H1685	Bracket	2	
7	F929	Bolt ($\frac{1}{2}$ in. U.H.)	5	
8	F4299	Plain washer	5	
9	DS55	Bolt ($\frac{5}{16}$ in. U.H.)	2	
10	T224	Nut	2	
11	S1-51	Nut	1	
12	NS362	Spigot nut	1	
13	DS55	Bolt ($\frac{1}{8}$ in. U.H.)	2	
14	GS203	Plain washer	2	
15	W1691	Nut, self locking	2	
16	DS57	Bolt ($\frac{7}{16}$ in. U.H.)	10	
17	WE170	Fibre washer	4	
18	S25-1	Plain washer	13	
19	F879	Nut	13	
20	F5984	Rear mudguard	1	TR6, T120
20	F6965	Rear fender	1	TR6R
20	F6967	Rear fender (stainless steel)	1	T120R, TR6C
20	F7397	Rear fender (stainless steel)	1	T120TT
21	F6915	Fender bridge	1	
22	F5424	Lifting handle	1	
23	F6851	Bracket	1	
24	S26-2	Spring washer	2	
25	S26-3	Spring washer	5	
26	H590	Bolt ($\frac{9}{16}$ in. U.H.)	2	
27	F5994	Clip	1	
28	F6031	Backing plate	1	
29	F6310	Plain washer	1	
30	F6847	Tail lamp adaptor	1	} U.S.A. models
31	F6849	Tail lamp plate	1	
32	F6850	Number plate bracket	1	
33	E2980	Stud ($\frac{5}{8}$ in. O.A.)	1	
34	F4715	Screw ($\frac{1}{2}$ in. U.H.)	5	
35	H1998	Backing strip	1	
36	GS299	Serrated washer	2	
37	F3799	Nut	2	
38	11105/04/2	Bolt, bracket to pivot lug	2	
	Not illustrated F5924	Rear number plate	1	

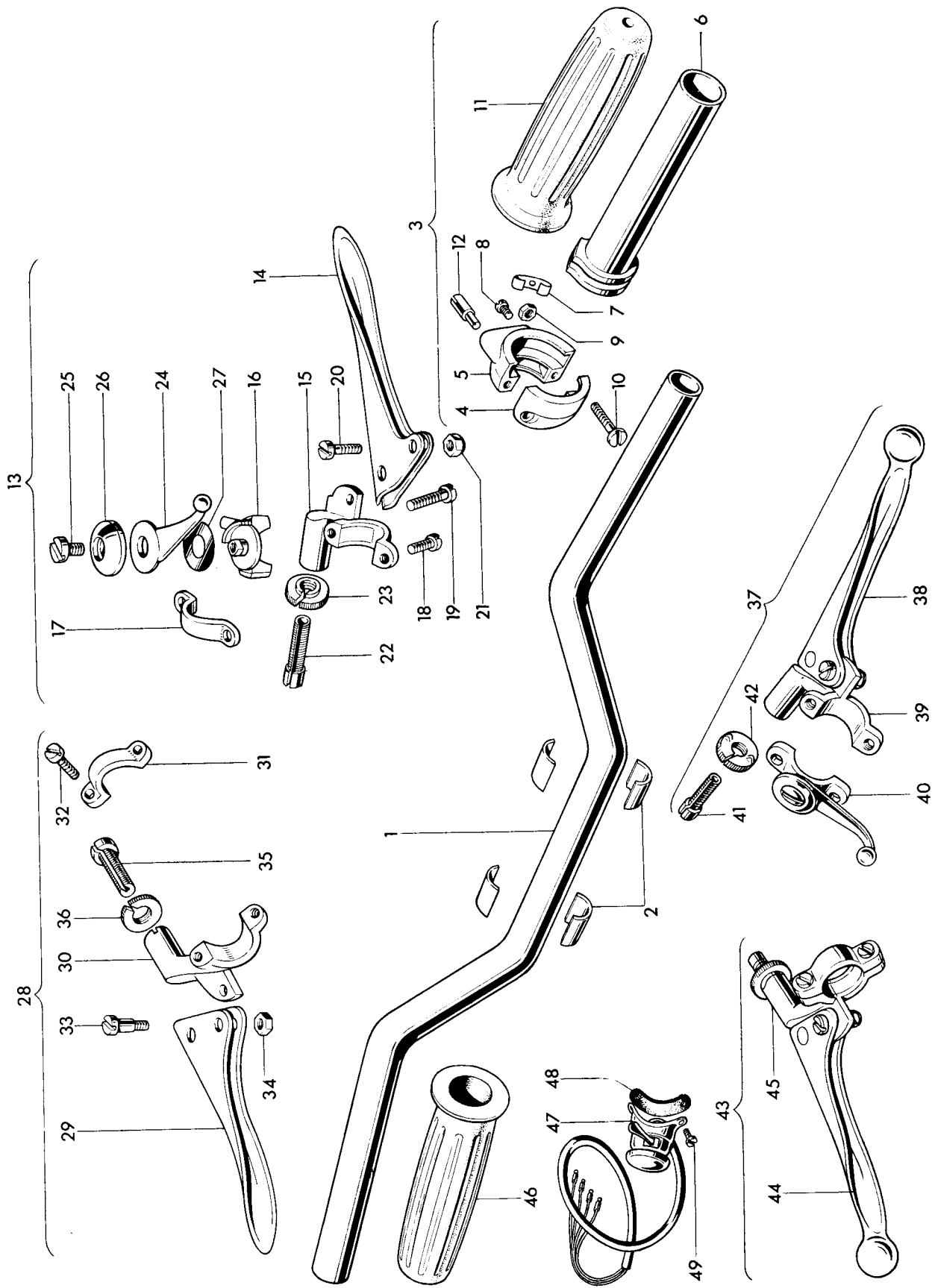


Fig. 27. HANDLEBARS AND CONTROL LEVERS

Ref. No.	Part No.	DESCRIPTION	QUANTITY	REMARKS
HANDLEBARS AND CONTROL LEVERS (SEE ALSO PAGE 71)				
1	H1871	Handlebar	1	TR6, T120
2	H1425	Packing piece	4	
3	16/364	TWISTGRIP	1	TR6, T120
4	16/328	Body top half	1	
5	16/329	Body bottom half	1	
6	16/091	Rotor	1	
7	16/008	Friction spring	1	
8	16/009	Friction spring screw	1	
9	16/010	Locknut	1	
10	11/013	Screw	2	
11	H2125	Grip	1	
12	16/011	Cable stop	1	
13	18/1004	FRONT BRAKE AND AIR LEVER ASSEMBLY	1	TR6
13	18/999	FRONT BRAKE LEVER ASSEMBLY	1	T120
14	18/535	Brake lever	1	
15	18/1014	Lever bracket	1	TR6
15	18/1013	Lever bracket	1	T120
16	12/619	Control body	1	TR6
17	12/595	Clamp	1	T120
18	11/014	Screw	1	
19	11/013	Screw	1	
20	18/087	Fulcrum screw	1	
21	18/053	Self locking nut	1	
22	18/1005	Cable adjuster	1	
23	18/1006	Thumb nut	1	
24	12/556	Lever	1	
25	12/607	Bolt	1	
26	12/606	Cap	1	
27	12/033	Spring washer	1	
28	18/1000	CLUTCH LEVER ASSEMBLY	1	TR6, T120
29	18/528	Clutch lever	1	
30	18/1009	Clutch lever bracket	1	
31	12/595	Clamp	1	
32	11/014	Screw	2	
33	18/087	Fulcrum screw	1	
34	18/053	Self locking nut	1	
35	18/1005	Cable adjuster	1	
36	18/1006	Thumb nut	1	
37	18/978	FRONT BRAKE AND AIR LEVER ASSEMBLY	1	TR6, TR6C
37	18/951	FRONT BRAKE LEVER ASSEMBLY	1	T120R, T120TT
38	18/754	Brake lever (ball end)	1	
39	18/776	Lever bracket	1	TR6, TR6C
39	18/777	Lever bracket	1	T120R, T120TT
40	12/594	Control body	1	
41	18/838	Cable adjuster	2	
42	18/839	Thumb nut	2	
43	18/952	CLUTCH LEVER ASSEMBLY	1	TR6C, TR6R, T120R, T120TT
44	18/752	Clutch lever (ball end)	1	
45	18/773	Lever bracket	1	
46	H2142	Handlebar grip	1	
47	31563	Horn push and dip switch	1	
48	380459	Backing rubber	1	
49	H1994	Self-tapping screw (½ in. U.H.)	2	

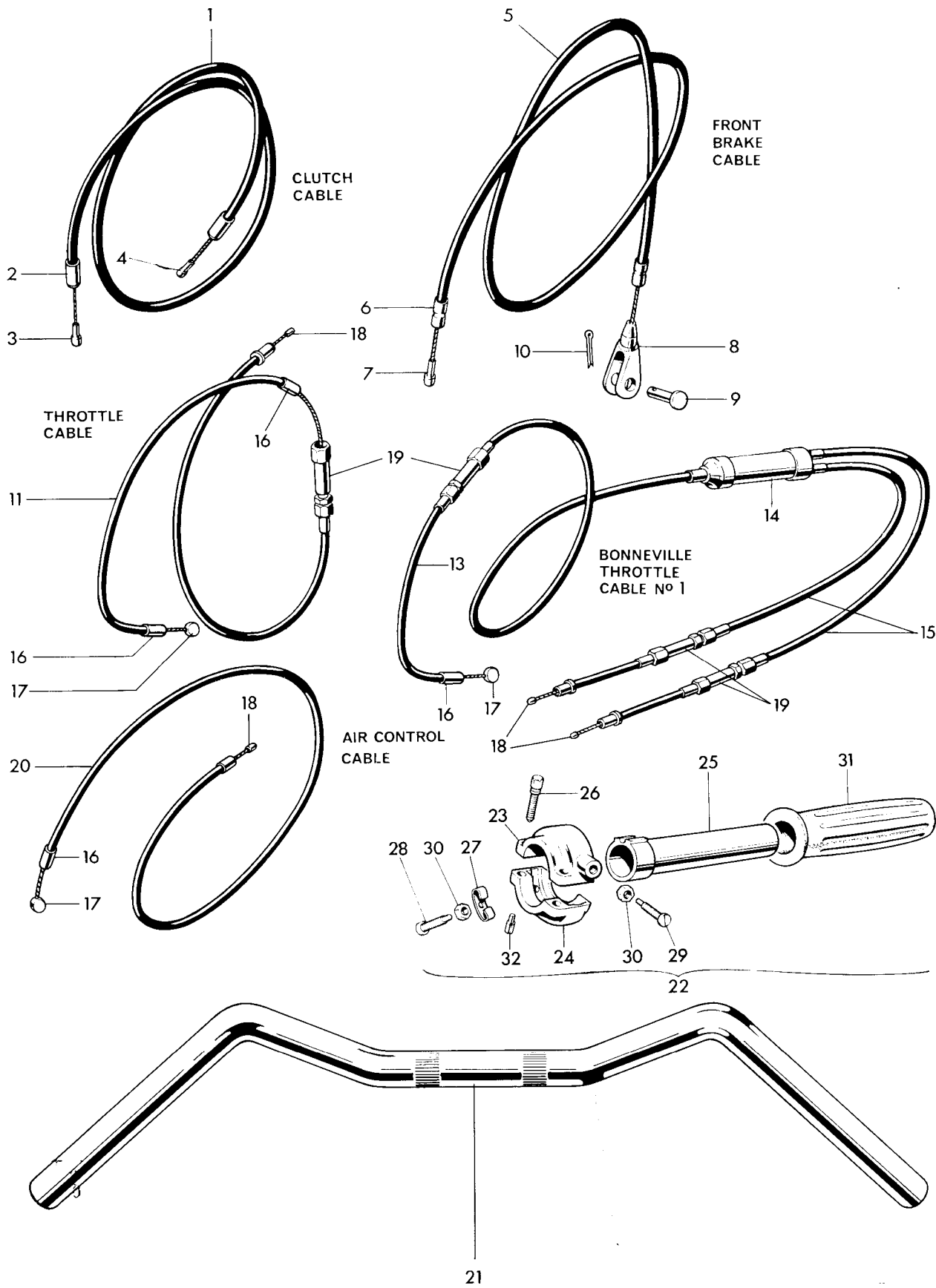


Fig. 28. CONTROL CABLES AND AMERICAN HANDLEBARS

Ref. No.	Part No.	DESCRIPTION	QUANTITY	REMARKS
----------	----------	-------------	----------	---------

CONTROL CABLES AND AMERICAN HANDLEBARS

1	D565	CLUTCH CABLE	1	
2	D103	Ferrule	2	
3	D506	Nipple (Handlebar end)	1	
4	DS73	Nipple	1	
5	D558	FRONT BRAKE CABLE	1	
5	D559	FRONT BRAKE CABLE	1	All U.S.A. models
6	D103	Ferrule	2	
7	D506	Nipple (Handlebar end)	1	
8	W593	Fork end	1	
9	WF32	Pivot pin...	1	
10	$\frac{1}{16}$ in. x $\frac{5}{8}$ in.	Split pin ...	1	
11	D519	THROTTLE CABLE	1	TR6
11	D528	Throttle cable	2	T120R, T120TT
12	D499	THROTTLE CABLE	1	T120
13	D500	Twistgrip cable	1	T120
14	244/104	Junction block	1	
15	D423	Carburetter cable	2	T120
16	D101	Ferrule	3	
17	D83	Nipple	5	
18	NS191	Nipple	1	
19	D104	Adjuster	3	
20	D507	Air control cable	1	TR6
21	H1870	American handlebar	1	TR6R, T120R
21	H1511	American handlebar	1	TR6C, T120TT
22	313/13	TWIN ROTOR TWISTGRIP	1	T120R, T120TT
23	313/008	Body top half	1	
24	313/009	Body bottom half	1	
25	313/013	Rotor	1	
26	4/048	Bolt	2	
27	16/008	Friction spring	1	
28	210/007	Adjuster screw	1	
29	210/008	Rotor stop	1	
30	210/009	Nut ...	2	
31	H2125	Grip	1	
32	16/011	Cable stop	2	

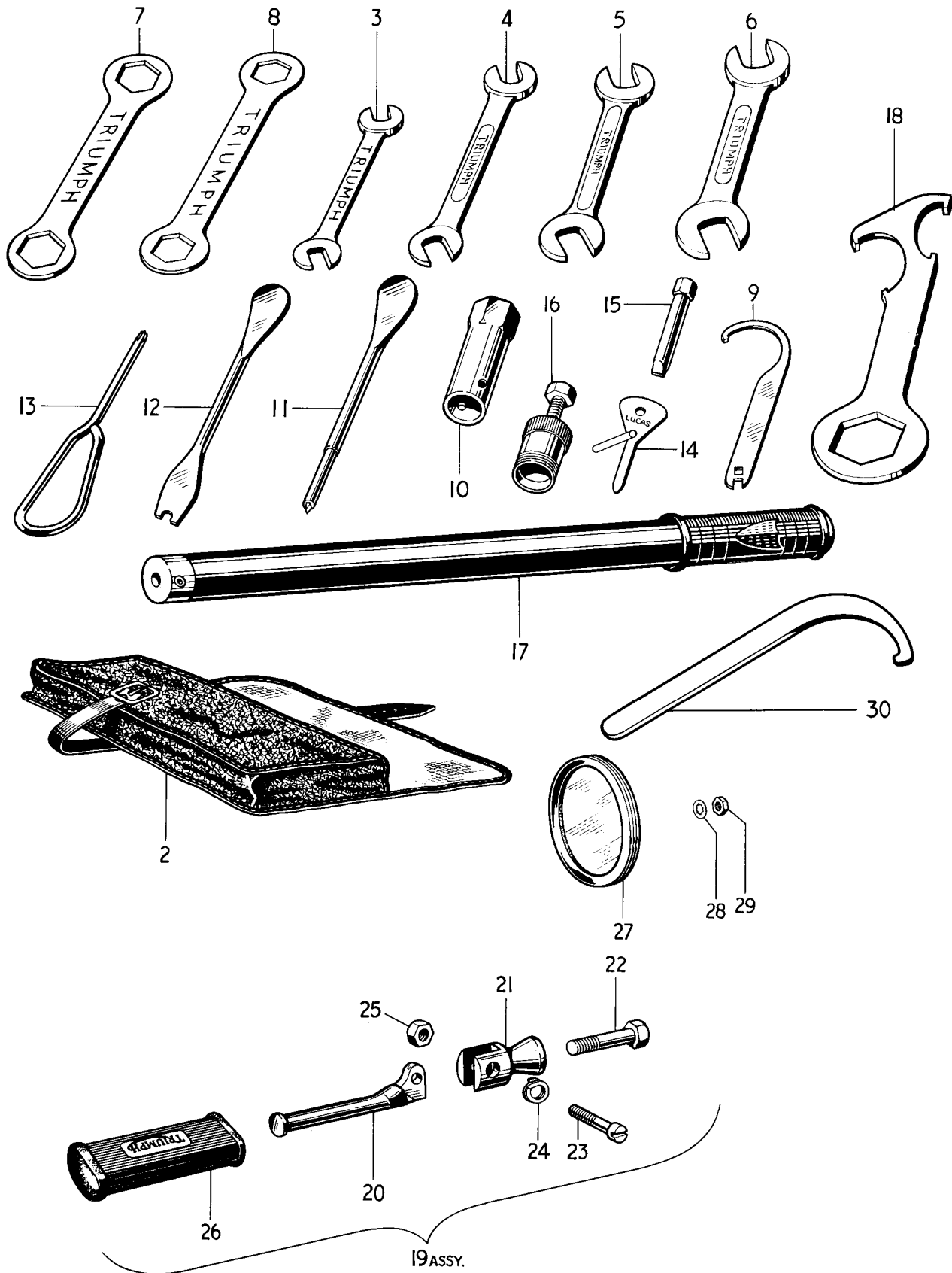


Fig. 29. TOOLKIT, PILLION FOOTRESTS AND LICENCE HOLDER

TOOLKIT, PILLION FOOTRESTS AND LICENCE HOLDER

1	D365	TOOLKIT COMPLETE	1	
2	D291	Tool roll	1	
3	D360	Open spanner, $\frac{1}{8} \times \frac{5}{32}$ in. Whit.	1	
4	D361	Open spanner, $\frac{3}{16} \times \frac{1}{4}$ in. Whit.	1	
5	NA55	Open spanner, $\frac{1}{4} \times \frac{5}{16}$ in. Whit.	1	
6	DA16	Open spanner, $\frac{3}{8} \times \frac{7}{16}$ in. Whit.	1	
7	PA57	Ring spanner, $\frac{1}{2} \times \frac{9}{16}$ in. Whit.	1	
8	D311	Ring spanner, $\frac{5}{8} \times \frac{11}{16}$ in. Whit.	1	
9	D362	"C" spanner and tappet key	1	
10	D87	Plug spanner	1	
11	D363	Tyre lever and screwdriver	1	
12	D364	Tyre lever and clutch key	1	
13	D336	Phillips No. 3 screwdriver	1	
14	400935	Screwdriver	1	
15	D496	Screwdriver for chain tensioner	1	
16	DA50/1	Clutch hub extractor	as required	
17	D296	Tyre inflator	1	
18	D220	Fork spanner (for cap nut)	as required	
19	F5552	PILLION FOOTREST	2	
20	F1694	Pedal	2	
21	F2268	Hanger	2	
22	F5535	Bolt ($\frac{1}{8}$ in. U.H.)	2	
23	F2271	Pivot bolt	2	
24	F2277	Thackeray (spring) washer	2	
25	S1-51	Nut	2	
26	F1695	Pedal rubber	2	
27	D261	Licence holder	1	
28	E1612	Serrated washer	1	
29	F879	Nut	1	
30	D527	Fork spanner (for sleeve nut)	as required	

CARBURETTER COMPLETE
REF. N°1

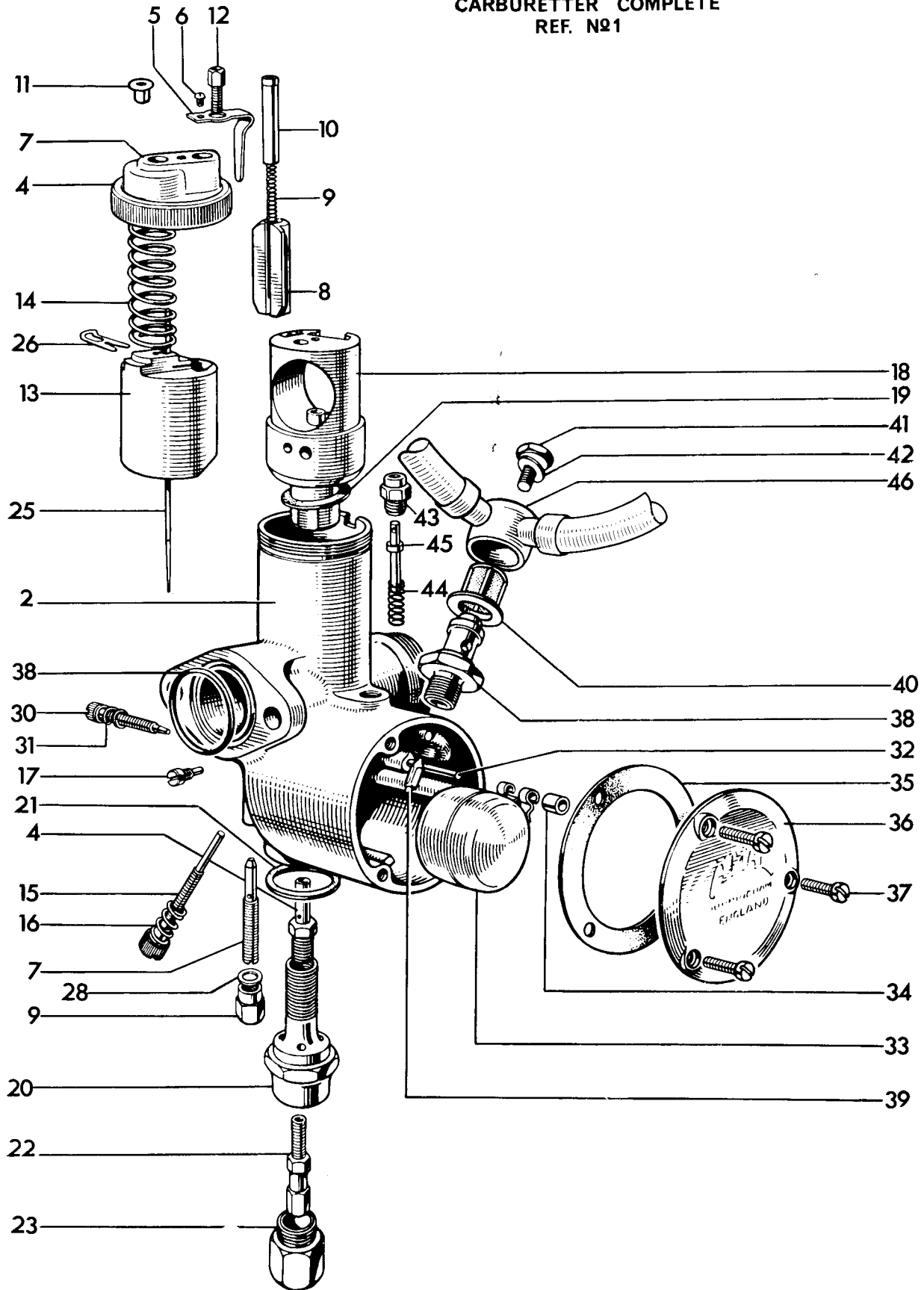


Fig. 30. AMAL CARBURETTER, TR 6

AMAL CARBURETTER, TR 6

1	389/239	CARBURETTER	1	
2	389/004	Mixing chamber, 1- $\frac{3}{16}$ in. choke	1	
3	244/1048	"O" ring seal	1	
4	389/065	Mixing chamber cap	1	
5	389/068	Spring	1	
6	4/241	Screw	1	
7	389/107	Mixing chamber top	1	
8	389/062	Air valve	1	
9	4/046	Spring	1	
10	29/057	Air valve guide	1	
11	6/132A	Throttle cable ferrule	1	
12	4/035	Air cable adaptor	1	
13	389/060	Throttle valve (4)	1	
14	389/061	Throttle return spring	1	
15	376/068	Throttle stop screw	1	
16	376/069	Stop screw spring	1	
17	376/070	Peg screw	1	
18	389/110	Jet block (1- $\frac{3}{16}$ in. choke)	1	
19	376/067	Joint washer	1	
20	376/073	Jet holder	1	
21	376/074	Fibre washer	1	
22	376/100	Main jet (330)	1	
23	376/075	Cover nut	1	
24	376/072	Needle jet (0-106T)	1	
25	389/063	Needle (Type D)	1	
26	4/230	Needle clip	1	
27	376/076	Pilot jet (25)	1	
28	116/017	Fibre washer	1	
29	376/095	Cover nut	1	
30	332/017	Air adjusting screw	1	
31	4/148	Spring	1	
32	376/085	Float spindle	1	
33	376/083	Float	1	
34	376/094	Bush	1	
35	376/078	Joint washer	1	
36	376/077	Cover	1	
37	376/079	Screw	3	
38	376/088	Needle seating	1	
39	376/089	Needle	1	
40	376/093	Filter	1	
41	376/091	Bolt	1	
42	376/092	Fibre washer	1	
43	376/086	Tickler	1	
44	376/087	Tickler spring	1	
45	343/011	Tickler body	1	
46	F5339	Petrol pipe	1	

CARBURETTER COMPLETE
REFERENCE N°1

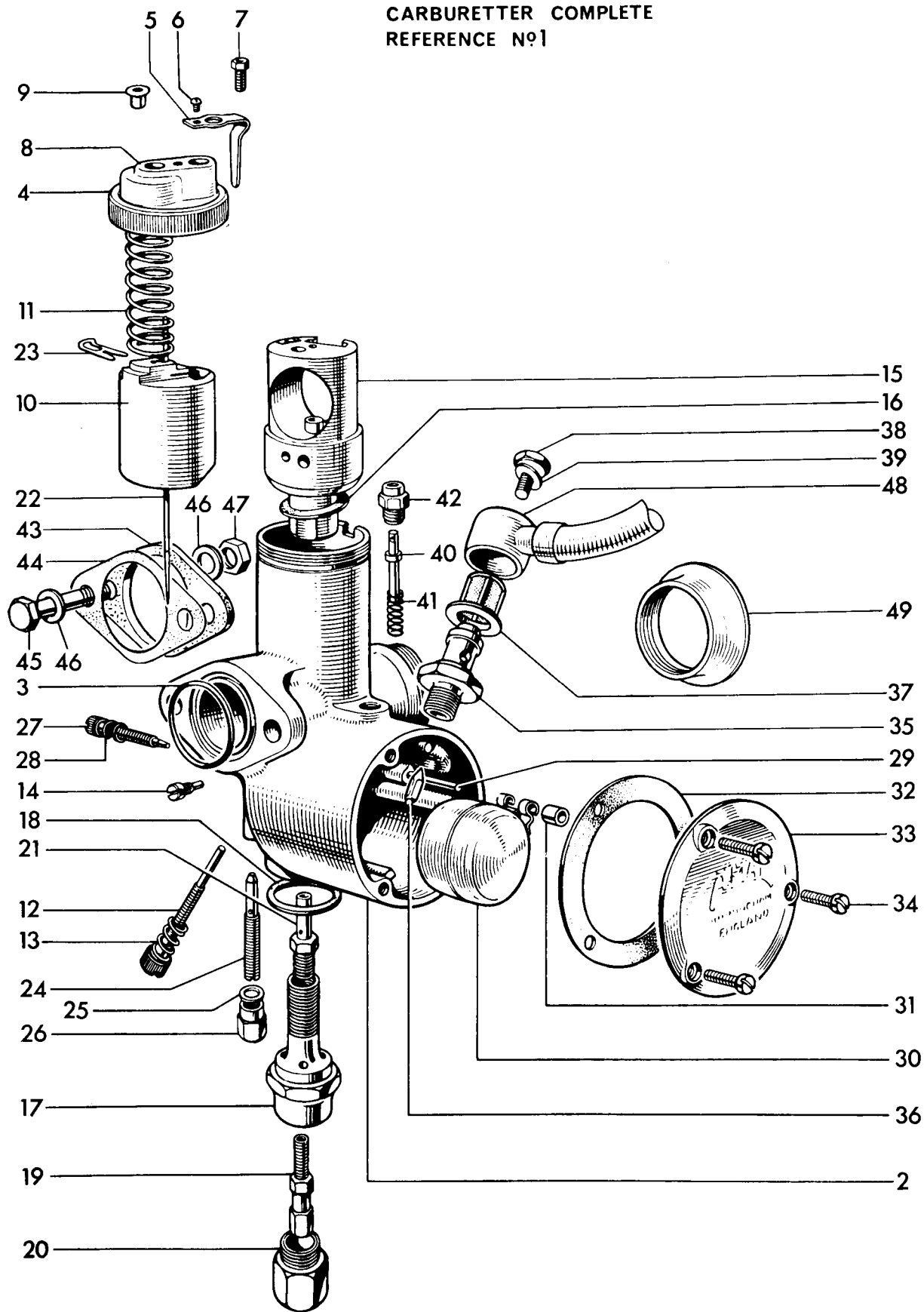


Fig. 31. AMAL CARBURETTER, T120

Ref. No.	Part No.	DESCRIPTION	QUANTITY	REMARKS
AMAL CARBURETTER, T120				
1	389/203	CARBURETTER	2	
2	389/002	Mixing chamber (1 $\frac{1}{8}$ in. choke)	2	
3	244/1048	"O" ring seal	2	
4	389/065	Mixing chamber cap	2	
5	29/307	Spring	2	
6	4/241	Screw	2	
7	4/137A	Plug screw	2	
8	389/107	Mixing chamber top	2	
9	6/132A	Throttle cable ferrule	2	
10	389/060	Throttle valve (3 cutaway)	2	
11	376/132	Throttle return spring	2	
12	376/068	Throttle stop screw	2	
13	376/069	Stop screw spring	2	
14	376/070	Peg screw	2	
15	389/056	Jet block (1 $\frac{1}{8}$ in. choke)	2	
16	376/067	Joint washer	2	
17	376/073	Jet holder	2	
18	376/074	Fibre washer	2	
19	376/100	Main jet (260)	2	
20	376/075	Cover nut	2	
21	376/072	Needle jet (0.106)	2	
22	389/063	Needle (Type D)	2	
23	4/230	Needle clip	2	
24	376/076	Pilot jet (25)	2	
25	116/162	Fibre washer	2	
26	376/095	Cover nut	2	
27	332/017	Air adjusting screw	2	
28	4/148	Spring	2	
29	376/085	Float spindle	2	
30	376/083	Float	2	
31	376/094	Bush	2	
32	376/078	Joint washer	2	
33	376/077	Cover	2	
34	376/151	Screw	6	
35	376/088	Needle seating	2	
36	376/089	Needle	2	
37	376/093	Filter	2	
38	376/091	Bolt	2	
39	376/092	Fibre washer	2	
40	376/086	Tickler	2	
41	376/087	Tickler spring	2	
42	343/011	Tickler body	2	
43	E2968	Insulating block	2	
44	NA43A	Joint washer	2	
45	F2603	Bolt (1 $\frac{1}{8}$ in. U.H.)	2	
46	S25-3	Plain washer	3	
47	T224	Nut	4	
48	F5462	Petrol pipe	1	
49	389/066	Air intake tube	2	

CARBURETTER COMPLETE
REFERENCE N°1

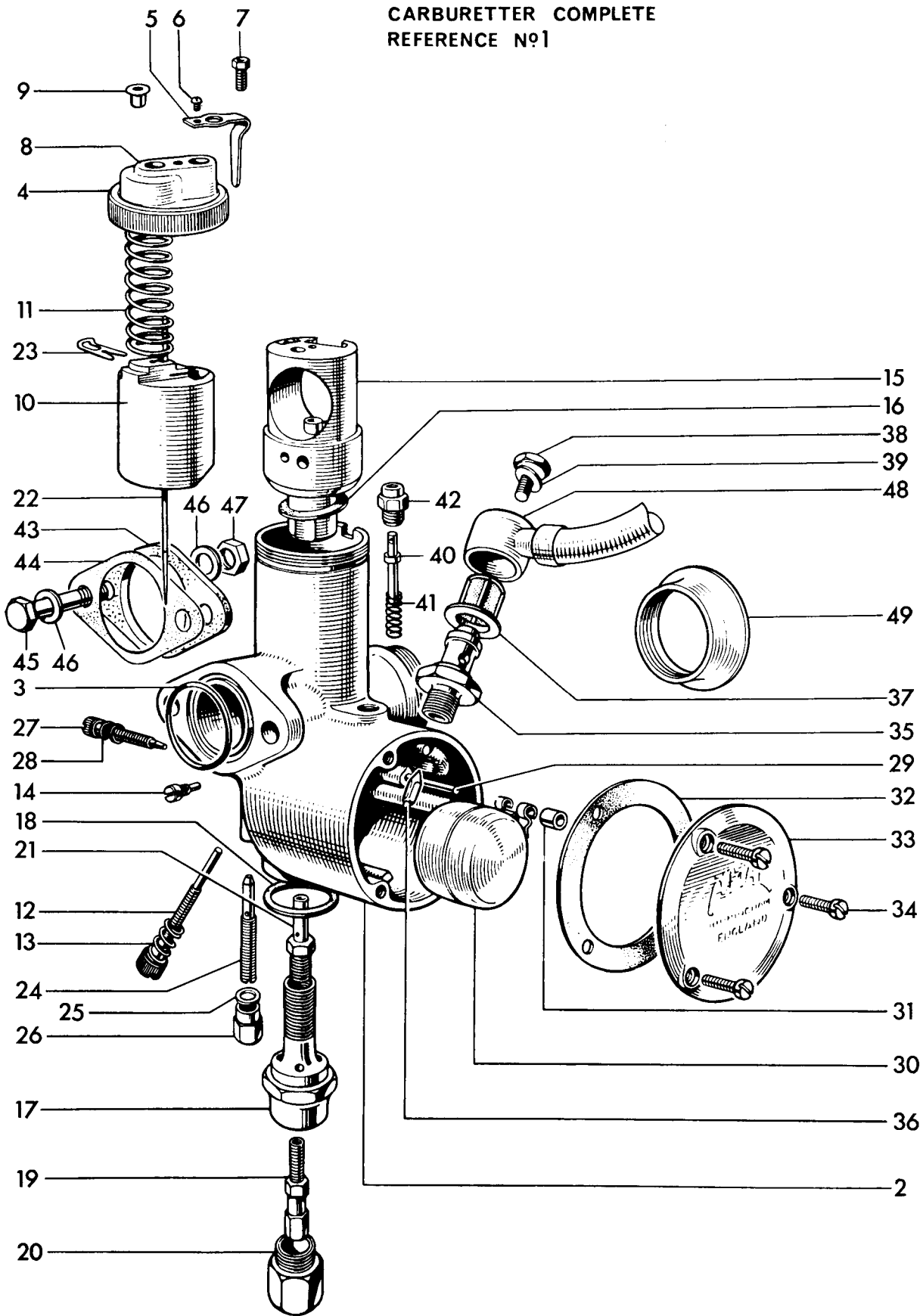


Fig. 32. AMAL CARBURETTER, T120R AND T120TT

AMAL CARBURETTER, T120R, T120TT

1	389/95	CARBURETTER	2	
2	389/030	Mixing chamber (1 $\frac{3}{16}$ in. choke)	2	
3	244/1048	"O" ring seal	2	
4	389/065	Mixing chamber cap	2	
5	29/307	Spring	2	
6	4/241	Screw	2	
7	4/137A	Plug screw	2	
8	389/107	Mixing chamber top	2	
9	6/132A	Throttle cable ferrule	2	
10	389/060	Throttle valve (3 $\frac{1}{2}$ cutaway)	2	
11	376/132	Throttle return spring	2	
12	376/068	Throttle stop screw	2	
13	376/069	Stop screw spring	2	
14	376/070	Peg screw	2	
15	389/058	Jet block (1 $\frac{3}{16}$ in. choke)	2	
16	376/067	Joint washer	2	
17	376/073	Jet holder	2	
18	376/074	Fibre washer	2	
19	376/100	Main jet (330)	2	
20	376/075	Cover nut	2	
21	376/072	Needle jet (0.106)	2	
22	389/063	Needle (Type D)	2	
23	4/230	Needle clip	2	
24	376/076	Pilot jet (25)	2	
25	116/162	Fibre washer	2	
26	376/095	Cover nut	2	
27	332/017	Air adjusting screw	2	
28	4/148	Spring	2	
29	376/085	Float spindle	2	
30	376/083	Float	2	
31	376/094	Bush	2	
32	376/078	Joint washer	2	
33	376/077	Cover	2	
34	376/151	Screw	6	
35	376/088	Needle seating	2	
36	376/089	Needle	2	
37	376/093	Filter	2	
38	376/091	Bolt	2	
39	376/092	Fibre washer	2	
40	376/086	Tickler	2	
41	376/087	Tickler spring	2	
42	343/011	Tickler body	2	
43	E4918	Insulating block	2	
44	E4919	Joint washer	2	
45	F2603	Bolt (1 $\frac{5}{16}$ in. U.H.)	2	
46	S25-3	Plain washer	3	
47	T224	Nut	4	
48	F5462	Petrol pipe	1	
49	389/066	Air intake tube	2	

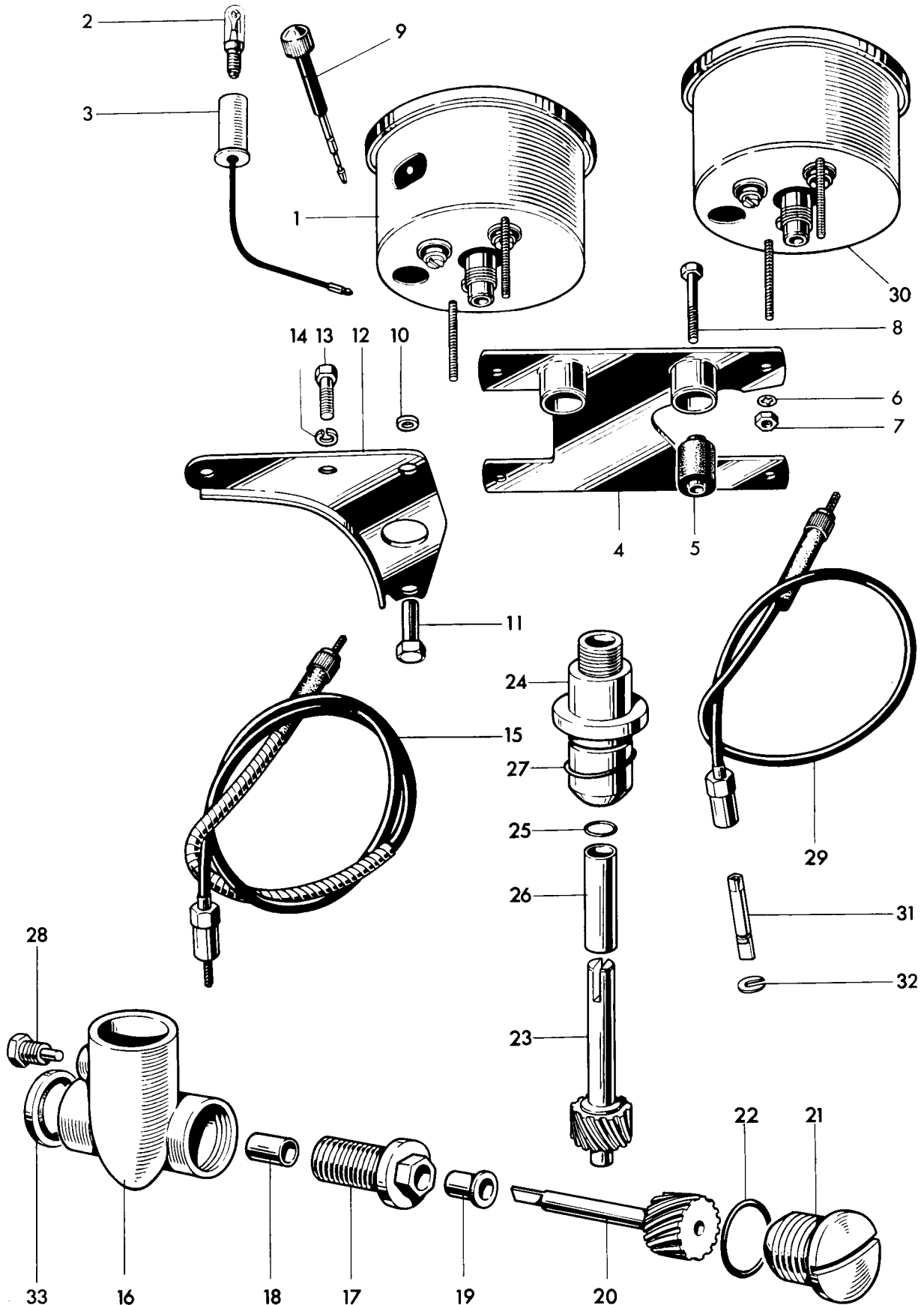


Fig. 33. SPEEDOMETER AND TACHOMETER

Ref. No.	Part No.	DESCRIPTION	QUANTITY	REMARKS
----------	----------	-------------	----------	---------

SPEEDOMETER AND TACHOMETER

1	SSM5001/06	Speedometer head MPH	1	
1	SSM5001/01	Speedometer head KPH	Alternative	
				TR6, T120
2	554734	Bulb holder	1	
3	987	Bulb, 3.W. M.E.S.	1	
4	H1946	MOUNTING BRACKET	1	
5	H1929	Metalastik bush	2	
6	30-282-014-11	Washer	2	TR6R, T120R
7	30-276-037-11	Nut	2	
8	S590	Bolt (1 $\frac{3}{16}$ in. U.H.)	2	
9	41-148-203-10	Trip control	1	
10	H1702	Distance piece	2	
11	H1701	Sleeve nut	2	TR6, T120, TR6C, T120TT
12	H1668	Bracket	1	
13	11104/04/2	Bolt ($\frac{1}{2}$ in. U.H.)	2	
14	S26-2	Spring washer	2	
15	D609	Speedometer cable (65 ins. long)	1	Smiths DF9110/00
16	E5756	TACHOMETER GEARBOX	1	TR6R, T120R, T120TT
17	E5153	Securing screw	1	
18	E5156	Bush	1	
19	E5155	Flanged bush	1	
20	E5157	Driving gear	1	
21	E5759	End cap	1	
22	E6300	"O" ring	1	
23	E5578	Driven gear	1	
24	E6122	Driven gear housing	1	
25	E6299	"O" ring	1	
26	E6124	Bush	1	
27	E3309	"O" ring	1	
28	E5881	Set screw	1	
29	D578	Tachometer cable (28 in. long)	1	
30	RSM3003/01	Tachometer	1	
31	31-371-398	Spade	1	
32	D494	Circlip	1	
33	E6961	Sealing washer	1	

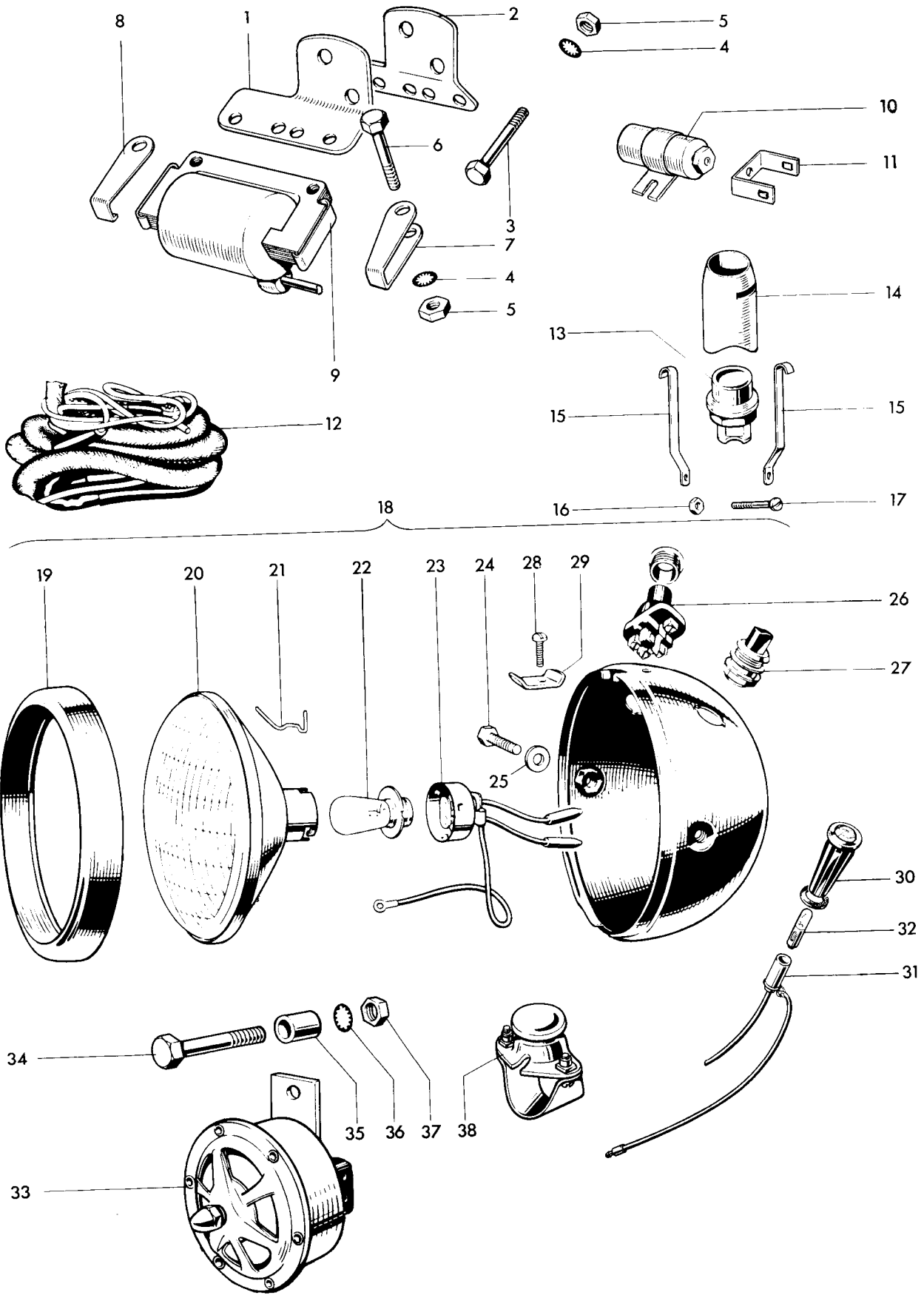


Fig. 34. A.C. MAGNETO IGNITION COILS AND DIRECT LIGHTING

A.C. MAGNETO IGNITION COILS AND DIRECT LIGHTING

1	F6943	Left coil bracket	1	TR6C & T120TT	
2	F6944	Right coil bracket	1		
3	F1369	Bolt ($\frac{5}{8}$ in. U.H.)	2		
4	E1612	Serrated washer	6		
5	S1-40	Nut	6		
6	W932	Bolt (1 in. U.H.)	4		
7	F6125	Retainer	2		
8	F6136	Retainer	2		
9	45149	Ignition coil, type 3ET	2		
10	54441582	Condenser	2		
11	54190108	Lucar terminal	2		
12	54937097	Wiring harness	1		
13	31071	Cut-out button, type SS5	1		"Kill button"
14	H2033	Cup	1		
15	H2034	Clip	2		
16	H687	Bolt ($\frac{3}{8}$ in. U.H.)	1		
17	H745	Nut	1		
18	59699	HEADLAMP ASSEMBLY, MCH 66	1	Eastern TR6C	
19	534343	Rim	1		
20	54520452	Light unit	1		
21	504665	Fixing wire	6		
22	166	Bulb (24/24W. Pre-focus, Vertical Dip)	1		
23	554602	Adaptor	2		
24	112201	Bolt	2		
25	137499	Washer	2		
26	31356	Lighting switch	1		
27	31620	Dip switch	1		
28	144921	Screw	1		
29	534296	Plate	1		
30	38189	Hi-beam warning light	1		
31	54945043	Warning bulbholder	1		
32	282	Bulb	1		
33	D552	Horn, clear hooters AC5855G	1		
34	11104/06/2	Bolt	1		
35	F4366	Distance piece	1		
36	E1612	Serrated washer	1		
37	15104/00/2	Nut	1		
38	D553	Horn push, clear hooters No. 10	1		
39	53972	STOP AND TAIL LAMP, Type 679	1	Except for bulb See Page 87	
40	384	Bulb (6/18W. Offset pin)	1		

39 and 40 not illustrated.

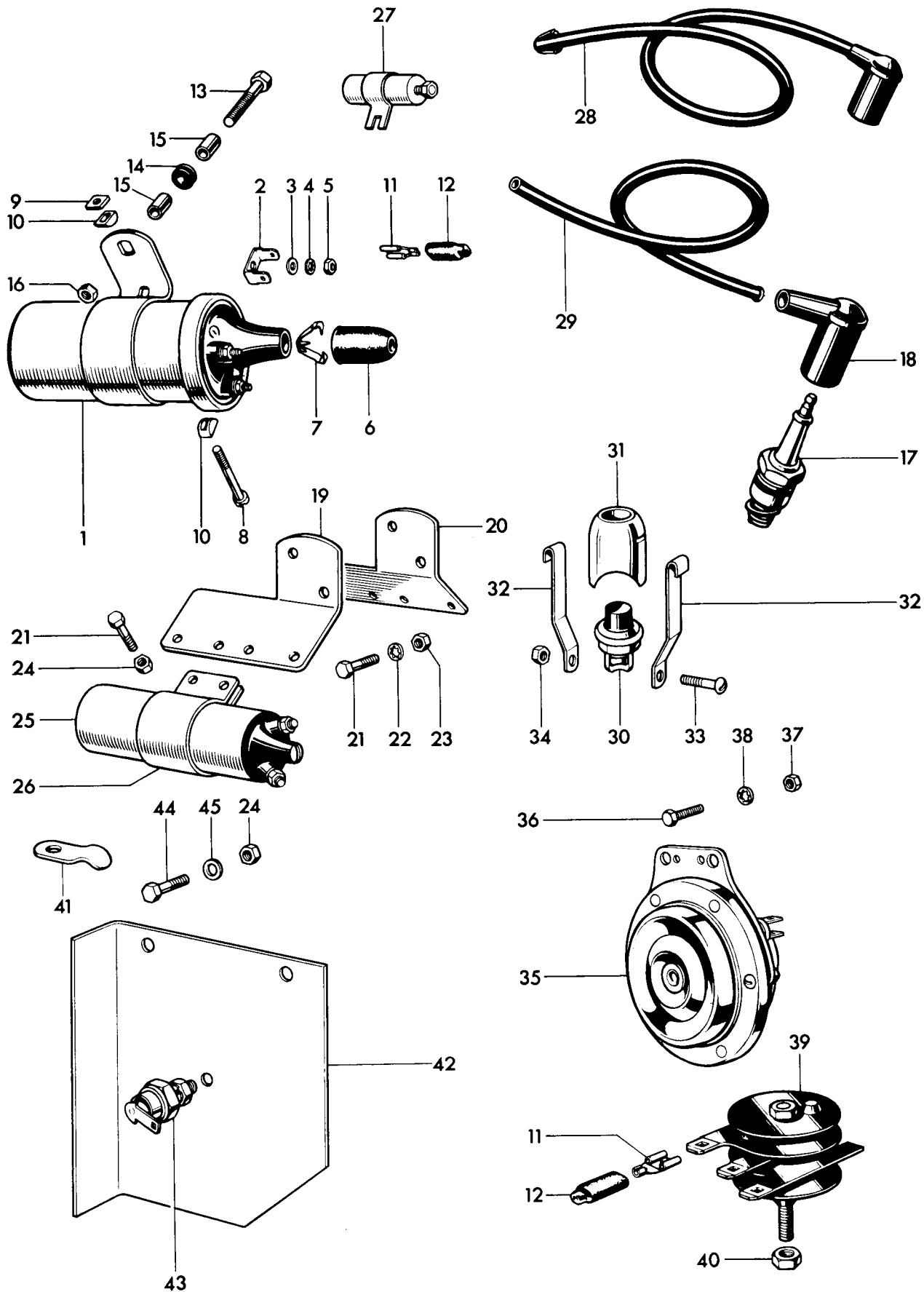


Fig. 35. D.C. IGNITION COILS, HORN, RECTIFIER AND ZENER DIODE

D.C. IGNITION COILS, HORN, RECTIFIER AND ZENER DIODE

Ref. No.	Part No.	DESCRIPTION	QUANTITY	REMARKS
1	45110	IGNITION COIL, Type MA12	2	} TR6, TR6R & T120
2	54190108	Lucar terminal	4	
3	131023	Plain washer (E2351)	4	
4	188330	Serrated washer (GS299)	4	
5	166043	Nut (F3799)	4	
6	421554	Rubber grommet	2	
7	421863	Cable clip	2	
8	100104	Screw	2	
9	169160	Square nut	2	
10	422369	"D" washer	4	
11	54942078	Lucar connector	as required	
12	54190042	Insulating cover	as required	
13	F4744	Bolt ($1\frac{5}{16}$ in. U.H.)	2	
14	F5466	Rubber grommet	2	
15	F4366	Distance piece	4	
16	E3290	Self locking nut	2	
17	—	Sparking plug (Champion N4)	2	N58R for T120TT
18	D262	Plug cover	2	
19	F6943	Left coil bracket	1	} T120R
20	F6944	Right coil bracket	1	
21	F1369	Bolt ($\frac{5}{8}$ in. U.H.)	6	
22	E1612	Serrated washer	2	
23	S1-40	Nut	2	
24	F879	Nut	6	
25	E6388	Ignition coil, Siba 32,000	2	
26	E6389	Clip, Siba 32,000/1	2	
27	54441582	Condenser	2	} TR6, TR6R, T120, T120R
28	54937976	H.T. lead complete (resistive)	2	TR6, T120
29	842183	H.T. lead (7 mm. cable)	2	TR6R, T120R
30	35601	Cut-out button, type SS5	1	"Kill button"
31	H2033	Cup	1	
32	H2034	Clip	2	
33	H687	Bolt ($\frac{3}{8}$ in. U.H.)	1	
34	H745	Nut	1	
35	70197	Horn, type 6H	1	
36	F4771	Screw ($\frac{3}{8}$ in. U.H.)	2	
37	F3799	Nut	3	
38	GS299	Serrated washer	3	
39	49072	Rectifier, type 2DS 506	1	
40	F5338	Nut (156 596)	1	
41	F7399	Cable clip at heat sink	1	
42	F7237	Heat sink	1	
43	49345	Zener diode	1	
44	DS57	Bolt ($\frac{7}{16}$ in. U.H.)	2	
45	S25-1	Washer	2	
46	F7827	Horn bracket	1	(Not illustrated)
47	T1150	Bolt (.420 in. U.H.)	1	(Not illustrated)

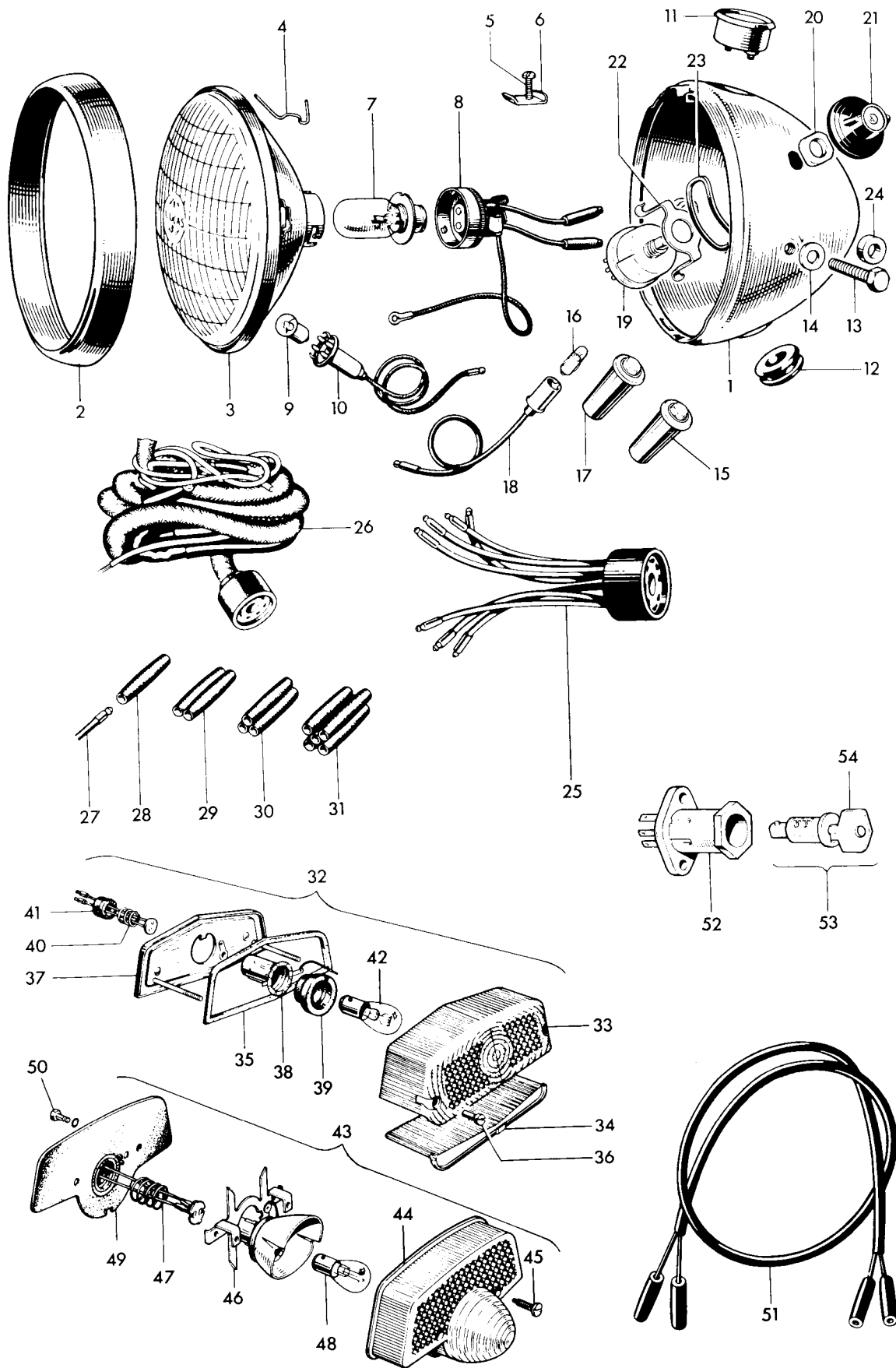


Fig. 36. HEADLAMP, WIRING HARNESS, SWITCHES AND TAIL LAMP

HEADLAMP, WIRING HARNESS, SWITCHES AND TAIL LAMP

Ref. No.	Part No.	DESCRIPTION	QUANTITY	REMARKS
1	59734	HEADLAMP COMPLETE	1	
2	553248	Rim...	1	
3	516798	Light unit	1	
4	504665	Fixing wire ..	6	
5	144921	Screw	1	
6	534296	Plate	1	
7	446	Bulb (50/40 W. Vert dip. Pre-focus)	1	
8	554602	Main bulbholder	1	
9	989	Bulb (3W. M.C.C.)	1	
10	554710	Pilot bulbholder	1	
11	36296	Ammeter, type 2AR	1	
12	862217	Grommet	1	
13	112201	Bolt	2	
14	137498	Plain washer	2	
15	38189	Warning light body (Red)	1	
16	281	Bulb (2W. BA7S)	1	
17	38191	Warning light body (Green)	1	
18	54945043	Warning bulbholder	1	
19	34289	Lighting switch, type 88SA	1	
20	180316	Nut	1	
21	54330934	Knob c/w screw	1	
22	F5983	Bracket	1	
23	F5988	Rubber band	1	
24	H1932	Distance piece	2	
25	54930007	Replacement harness socket (Lighting)	1	
26	54950449	Wiring harness	1	
27	900269	Snap connector terminal		as required
28	900288	Single snap connector		as required
29	850641	Double snap connector		as required
30	850844	Triple snap connector		as required
31	850832	Quintuple snap connector		as required
32	53454	STOP AND TAIL LAMP, Type 564	1	} TR6, T120
33	573839	Lens	1	
34	575200	Window	1	
35	575208	Lens seating gasket	1	
36	575219	Sleeve nut	2	
37	576002	Base assembly	1	
38	575209	Bulbholder	1	
39	575207	Grommet	1	
40	573828	Contact assembly	1	
41	573825	Grommet	1	
42	380	Bulb (6/21W. Offset pin)	1	} TR6R, T120R
43	53973	STOP AND TAIL LAMP, Type L679	1	
44	54572932	Lens	1	
45	572289	Screw	2	
46	54574348	Bulb holder with reflector	1	
47	573828	Contact assembly	1	
48	380	Bulb (6/21W. Offset pin)	1	
49	54571677	Gasket	1	
50	127684	Screw	2	
51	838604	Stop and tail lamp lead	1	
52	31899	Ignition switch, type S45	1	
53	F6981	IGNITION LOCK c/w KEYS	1	
54	—	Ignition key (state serial number)		as required