

# **TRIUMPH**

# **REPLACEMENT**

# **PARTS**

## **CATALOGUE No. 10**

“C” RANGE MODELS

· TIGER 90 (T90)

TIGER 100 (T100S, T100R, T100C & T100T)

from Engine No. H65573

**TRIUMPH ENGINEERING COMPANY LIMITED**  
**MERIDEN WORKS · ALLESLEY · COVENTRY · ENGLAND**  
**TELEPHONE MERIDEN 331** **TELEGRAMS “TRUSTY COVENTRY”**



# TRIUMPH GUARANTEE

1. In this Guarantee the word "machine" refers to the motor cycle, scooter, motor-cycle combination or sidecar as the case may be, purchased by the Purchaser.
2. In order to obtain the benefit of this Guarantee, the Purchaser must have correctly completed the registration form and returned it to us within fourteen days of the purchase.
3. We will supply, free of charge, a new part in exchange for, or, if we consider repair sufficient, will repair free of charge any part proved within six months of the date of purchase of any new machine, (3 months overseas) or within three months of its renewal or repair in the case of a part already renewed or repaired, to be defective by reason of our faulty workmanship or materials. We do not undertake to bear the cost of fitting such new or repaired part or accessory.
4. Any part considered to be defective must be sent to our Works, carriage paid, accompanied by the following information:—
  - (a) Name of purchaser and his address;
  - (b) Date of purchase of machine;
  - (c) Name of dealer from whom the purchase was made;
  - (d) Engine number and model.
5. This Guarantee shall not extend to defect or damage appearing after misuse, neglect, abnormal stress or strain, or the incorporation or affixing of unsuitable attachments or parts and in particular:—
  - (a) Hiring out;
  - (b) Racing and Competitions;
  - (c) Adaptation or alteration of any part or parts after leaving our Works;
  - (d) The attaching of a sidecar in a manner not approved by us or to an unsuitable motor-cycle.

This Guarantee shall not extend to machines whose trade mark, name or manufacturing number has been altered or removed, or in which has been used any part not supplied or approved by us, or to tyres, saddles, chains, speedometers, revolution counters and electrical equipment or to parts supplied to the order of the Purchaser and different from our standard specification.

6. Our liability and that of our dealer who sells the machine, shall be limited to that set out in this guarantee, and no other claims for consequential damage or injury to person or property, shall be admissible. All other conditions and warranties statutory or otherwise and whether express or implied are hereby excluded and no guarantee other than that expressly herein contained applies to the machine to which this Guarantee relates or any accessory or part thereof.
7. We reserve the right to modify or deviate from the Published Specification without notice.

## REPAIRS GUARANTEE

1. Whilst the highest standard of workmanship and materials is aimed at, we cannot accept liability for any defects appearing more than three months after the machine, assembly or component has left our Works after being repaired.
2. We will repair or replace at our option free of charge any defective work, materials or parts relating to the repairs carried out by us appearing within that time but shall not be under any further, or other liability for any other loss or damage whether direct or consequential and our liability shall be limited to the cost of so making good. We do not undertake to bear the cost of fitting any replacement or repaired part.
3. We do not accept liability in respect of parts of proprietary manufacture, e.g. tyres, saddles, chains, speedometers, revolution counters and electrical equipment which may be used by us in effecting a repair. All other conditions and warranties statutory or otherwise express or implied are hereby excluded.

# TRIUMPH SPARES

**HOW TO ORDER.** Every part is indicated by number, and this should be quoted together with the description. In order to assist customers, dimensions have been given in many cases where parts are similar. Parts where possible have been listed in order of assembly and a number of the illustrations show the assembly order also. With these aids there should be no difficulty in identifying the parts you require **Always head your order with the engine number, stamped on the left side of the crank case underneath the cylinder flange, together with the prefix letters.**

**WHERE TO OBTAIN.** Triumph Spare Parts can only be obtained from an authorised Triumph Dealer, and we recommend our customers to place their orders with the Triumph Dealer in their district. When parts not usually asked for are required, and for which the Dealer may have to write or obtain specially, the postage or carriage incurred becomes payable.

**Triumph Spares are not supplied to private owners direct from the factory. If difficulty is experienced in obtaining the required parts, the matter should be taken up directly with the Triumph Spares Department.**

Customers are warned against the risk incurred by purchasing parts that are not of genuine Triumph manufacture. This risk is eliminated if parts are ordered as instructed from recognised Dealers.

**PATTERNS AND PARTS FOR REPAIR.** It is not necessary to send patterns if the part number is quoted. The sending of patterns often delays the order as parcel post or rail takes longer than letter post.

Parts sent to Coventry for repair, replacement, or as patterns should bear the sender's name and address and clear instructions should accompany the parts. In your own interest send a copy of the advice note under separate cover. All parts must be forwarded carriage paid and care should be taken to ensure that all remittances are sent separately and not enclosed with the parts. Fragile units such as cylinders, etc., should always be boxed to avoid damage in transit. Complete machines should have all fitments such as windscreens, driving mirrors, tools, etc., removed by the sender before despatch, as it is impossible for us to accept responsibility in the event of loss in transit. We are always pleased to give estimates for overhauling and repairs, but should an estimate not be accepted, a charge will be made covering cost of dismantling and re-assembling, if carried out. Work cannot be accepted at the factory direct from private owners.

Communications relating to Parts should be addressed to the SPARES DEPARTMENT and for repairs, guarantee claims and technical advice to the SERVICE DEPARTMENT, Triumph Engineering Co. Ltd., Meriden Works, Allesley, Coventry. In order to facilitate quick reference, the quoting of any number, invoice number or reference from previous communications is essential. Accessories not of our manufacture should be sent direct to the actual makers, whose names and addresses appear below.

## PROPRIETARY GROUP

Ancillary equipment which is fitted to our motor cycles is of the highest quality and is guaranteed by the manufacturer and not by ourselves. Any repairs or claims should be made to the actual makers or their local agents who will always give owners every possible assistance. The following are the addresses of the various manufacturers:—

**CARBURETTERS**  
Messrs. Amal Ltd.,  
Holdford Rd., Witton, Birmingham 6.

**CHAINS**  
Renold Chains Ltd.,  
Wythenshawe, Manchester.

**ELECTRICAL EQUIPMENT**  
Messrs. J. Lucas Ltd.,  
Gt. Hampton St., Birmingham, 18.

**TYRES**  
Dunlop Rubber Co. Ltd.,  
Fort Dunlop, Birmingham, 24.

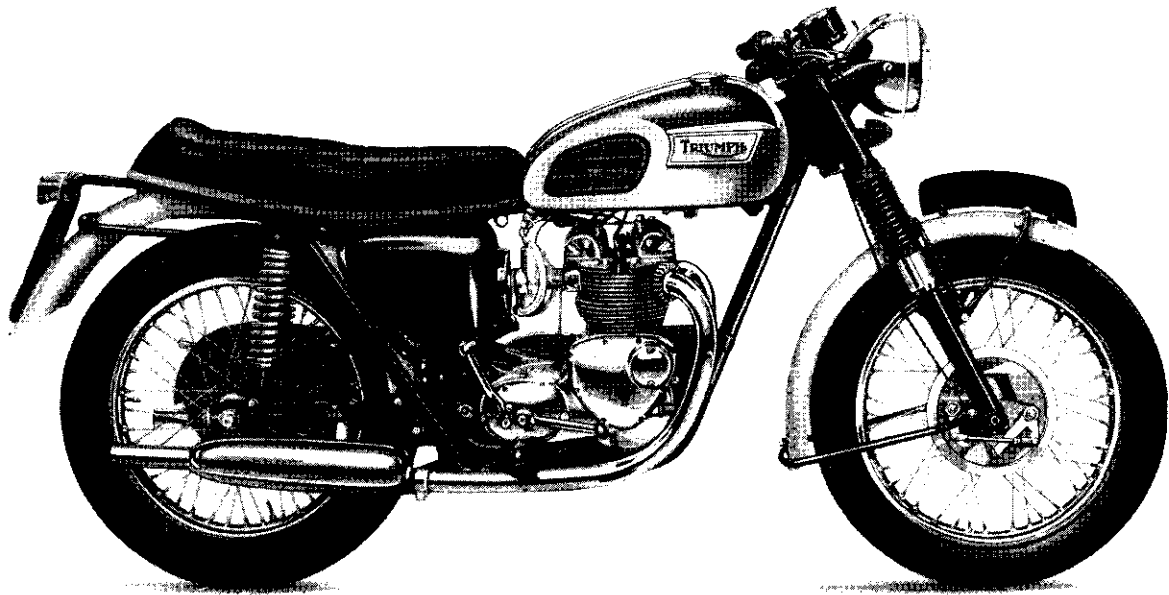
**SPARKING PLUGS**  
Champion Sparking Plug Co. Ltd.,  
Feltham, Middlesex.

**SPEEDOMETERS**  
Messrs. Smiths Industries Ltd.,  
Cricklewood Works, London, N.W.2.

**SUSPENSION UNITS**  
Messrs. Girling Ltd.,  
Birmingham Road, West Bromwich, Staffs.

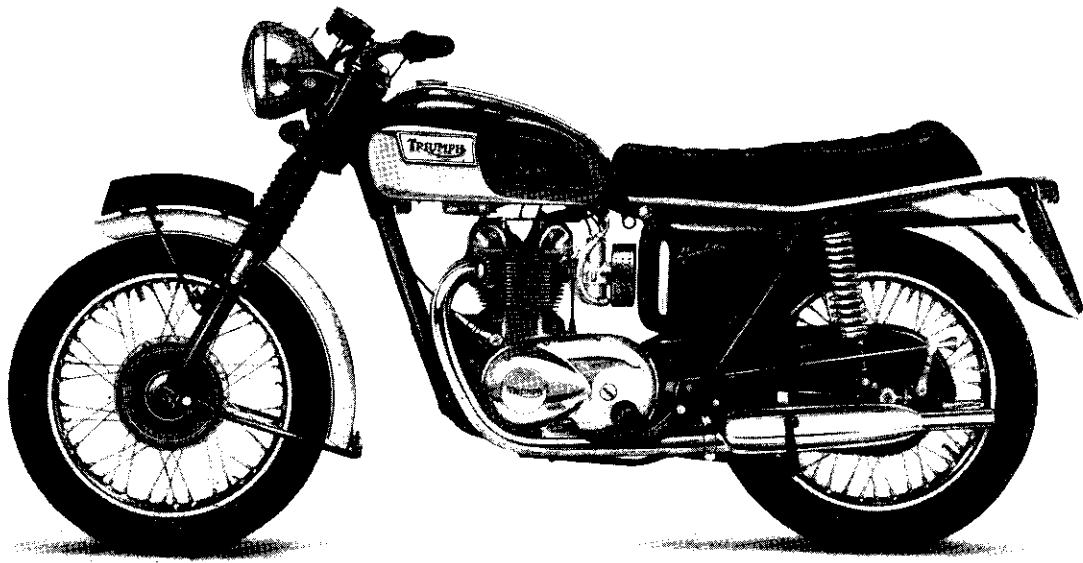
# INDEX

	<i>Page</i>		<i>Page</i>
AIR FILTER ... ..	69	HEADLAMP ... ..	79, 83
ALTERNATOR ... ..	13, 39	HEAT SINK ... ..	81
AUTO-ADVANCE UNIT ... ..	29	HORN ... ..	81
BATTERY CARRIER ... ..	69	KICKSTARTER ... ..	35
BRAKE SWITCHES ... ..	47, 73	MANIFOLD ... ..	19
CAMSHAFT, INLET AND EXHAUST	13	MUDGUARDS ... ..	61
CAPACITOR, IGNITION ... ..	79	MUFFLERS ... ..	41, 43
CARBURETTER ... ..	75, 77	OIL PUMP ... ..	17
CARTON PACKS ... ..	10	OIL TANK ... ..	67
CENTRE STAND ... ..	45	PETROL TANK ... ..	65
CHAINS ... ..	39	PISTONS ... ..	13
CHAINCASE ... ..	39	PROP STAND ... ..	45
CLUTCH ... ..	37	PUSH RODS ... ..	21, 23, 25, 27
CLUTCH LEVER ASSEMBLY ... ..	35	REAR WHEEL ... ..	57
COIL ... ..	81	REAR WHEEL Q.D. ... ..	59
CONDENSER PACK ... ..	79	RECTIFIER ... ..	81
CONNECTING RODS ... ..	13	REFLECTORS ... ..	61, 65
CONTACT BREAKER ... ..	29	ROCKERS ... ..	21, 23, 25, 27
CONTROL CABLES ... ..	73	SIDE PANEL ... ..	63
CONTROL LEVERS ... ..	71	SILENCERS ... ..	41, 43
CRANKCASE ... ..	15	SPARK PLUG ... ..	81
CRANKCASE UNDERSHIELD ... ..	43	SPEEDOMETER ... ..	85
CRANKSHAFT ... ..	13	SPEEDOMETER GEARBOX ... ..	57, 59
CYLINDERS ... ..	21, 23, 25, 27	STEERING DAMPER ... ..	51
CYLINDER HEAD ... ..	21, 23, 25, 27	STEERING RACES ... ..	45
ENGINE PLATES ... ..	41	SUSPENSION UNITS ... ..	47
ENGINE TORQUE STAY ... ..	41	SWINGING FORK ... ..	47
EXHAUST PIPES ... ..	41, 43	SWITCHES ... ..	79, 83
EXHAUST PIPE ADAPTOR ... ..	21, 23, 25, 27	TACHOMETER ... ..	85
FENDERS ... ..	61	TACHOMETER GEARBOX ... ..	85
FOOTRESTS ... ..	43	TAIL LAMP ... ..	61, 83,
FRAME ... ..	45	TAPPETS ... ..	21, 23, 25, 27
FRONT BRAKE ... ..	55	TIMING GEARS ... ..	21, 23, 25, 27
FRONT BRAKE LEVER ... ..	73	TOOLKIT ... ..	63
FRONT FORKS ... ..	49, 51	TWIN SEAT ... ..	63
FRONT WHEEL ... ..	53, 55	VALVES ... ..	21, 23, 25, 27
FUSE ASSEMBLY ... ..	69	VALVE GUIDES ... ..	21, 23, 25, 27
GASKET SET ... ..	10	WIRING HARNESS ... ..	79, 83
GAS TANKS ... ..	65	ZENER DIODE ... ..	81
GEARBOX ... ..	31, 33		
HANDLEBARS ... ..	71		
HANDLEBAR MOUNTINGS ... ..	51		



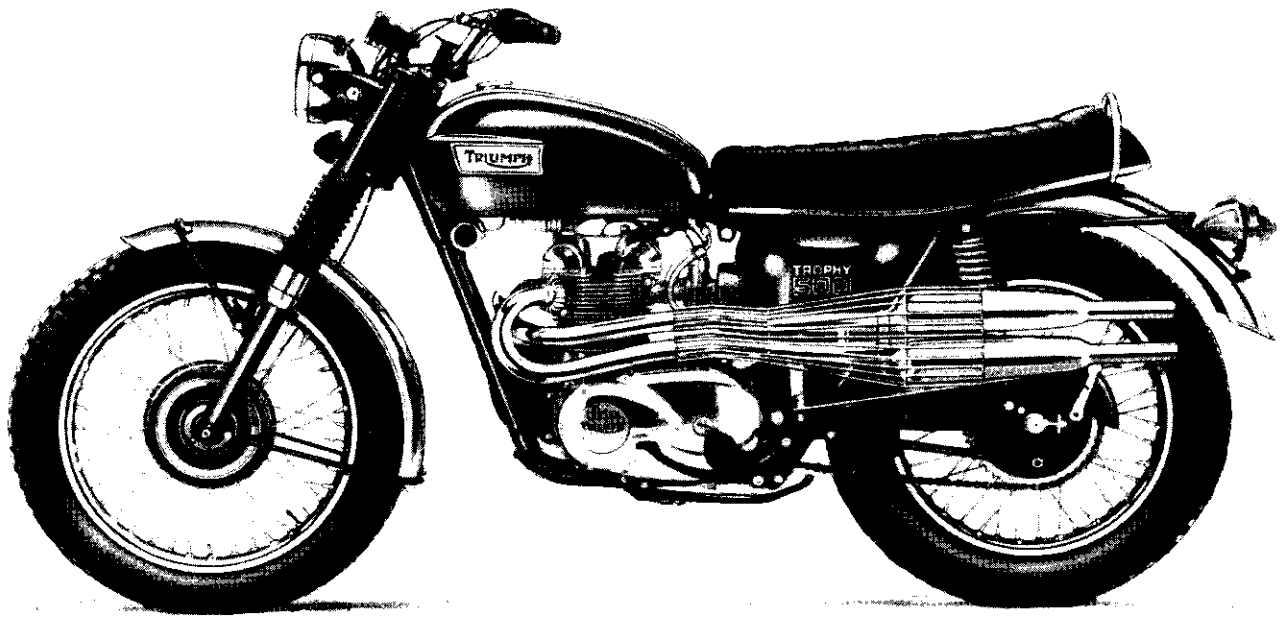
### TIGER 100 (T100S) TECHNICAL DATA

Bore and Stroke		69 x 65.5 mm. 2.716 x 2.578 ins.
Capacity		490 c.c. (29.8 cu. ins.)
Compression Ratio		9 : 1
Sparking Plugs		Champion N4
Carburetter		Amal Concentric
	Main Jet	180
	Needle Jet	.106
	Needle	Standard
	Throttle Valve	No. 4
Gearbox Sprocket		18 teeth
Chains	Front	$\frac{3}{8}$ in. Duplex x 78 links
	Rear	$\frac{5}{8}$ in. x $\frac{3}{8}$ in. x 102 links
Capacities	Fuel Tank	3 galls. (13.5 litres)
	Oil Tank	6 pints (3.5 litres)
	Gearbox	$\frac{2}{3}$ pint (375 c.c.)
	Primary Chaincase	$\frac{1}{2}$ pint (300 c.c.)
	Front Forks (each leg)	$\frac{1}{3}$ pint (200 c.c.)
Brakes	Front and Rear, diameter	7 in. (17.18 cm.)
Tyre Size	Front	3.25 x 18
	Rear	3.50 x 18



### TIGER 100 (T100T) TECHNICAL DATA

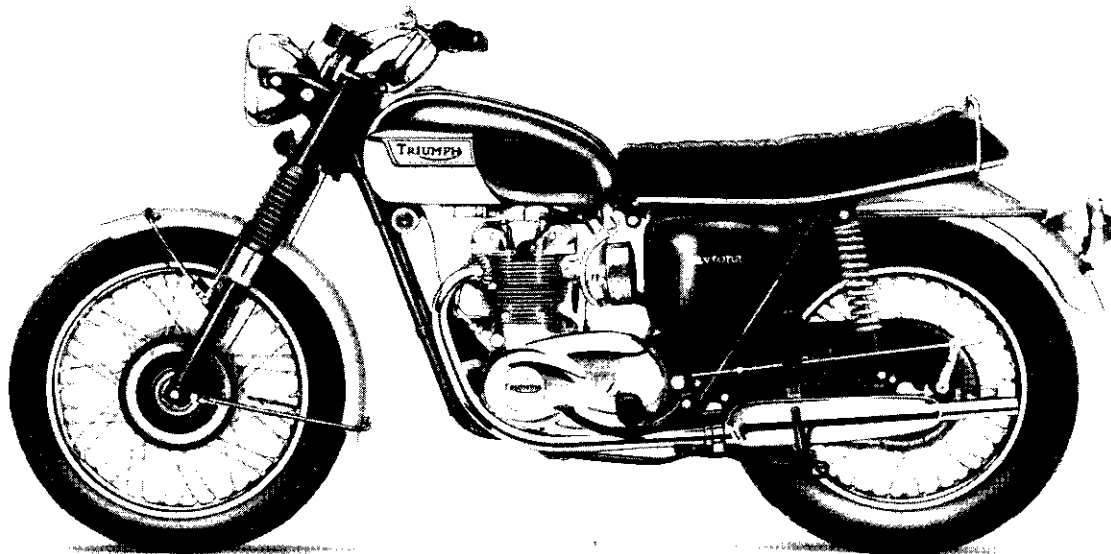
Bore and Stroke		2.716 x 2.578 ins.
Capacity		29.8 cu. ins.
Compression Ratio		9 : 1
Sparking Plugs		Champion N4
Carburetter		Amal Concentric
	Main Jet	160
	Needle Jet	.106
	Needle	Standard
	Throttle Valve	No. 3
Gearbox Sprocket		18 teeth
Chains	Front	$\frac{3}{8}$ in. Duplex x 78 links
	Rear	$\frac{5}{8}$ in. x $\frac{3}{8}$ in. x 102 links
Capacities	Gas Tank	3 galls. (13.5 litres)
	Oil Tank	6 pints (3.5 litres)
	Gearbox	$\frac{2}{3}$ pint (375 c.c.)
	Primary Chaincase	$\frac{1}{2}$ pint (300 c.c.)
	Front Forks (each leg)	$\frac{1}{3}$ pint (200 c.c.)
Brakes	Front, diameter	8 in. (20.32 cm.)
	Rear, diameter	7 in. (17.18 cm.)
Tyre Size	Front	3.25 x 18
	Rear	3.50 x 18



### U.S.A. TIGER 100 (T100C) TECHNICAL DATA

Bore and Stroke		2.716 x 2.578 ins.
Capacity		29.8 cu. ins.
Compression Ratio		9 : 1
Sparking Plugs		Champion N4
Carburetter		Amal Concentric
	Main Jet	180
	Needle Jet	.106
	Needle	Standard
	Throttle Valve	No. 4
Gearbox Sprocket		18 teeth
Chains	Front	$\frac{3}{8}$ in. Duplex x 78 links
	Rear	$\frac{5}{8}$ in. x $\frac{3}{8}$ in. x 102 links
Capacities	Gas Tank	2 $\frac{3}{8}$ U.S. galls.
	Oil Tank	6 U.S. pints
	Gearbox	$\frac{2}{3}$ pint (375 c.c.)
	Primary Chaincase	$\frac{1}{2}$ pint (300 c.c.)
	Front Forks (each leg)	$\frac{1}{3}$ pint (200 c.c.)
Brakes	Front and Rear, diameter	7 in. (17.18 cm.)
Tyre Size	Front	3.50 x 19
	Rear	4.00 x 18





### U.S.A. TIGER 100 (T100R) TECHNICAL DATA

Bore and Stroke		2.716 x 2.578 ins.
Capacity		29.8 cu. ins.
Compression Ratio		9 : 1
Sparking Plugs		Champion N4
Carburetters		Amal Concentric
	Main Jet	160
	Needle Jet	.106
	Needle	Standard
	Throttle Valve	No. 3
Gearbox Sprocket		19 teeth
Chains	Front	$\frac{3}{8}$ in. Duplex x 78 links
	Rear	$\frac{5}{8}$ in. x $\frac{3}{8}$ in. x 103 links
Capacities	Gas Tank	2 $\frac{3}{8}$ U.S. Galls.
	Oil Tank	6 U.S. pints
	Gearbox	$\frac{2}{3}$ pint (375 c.c.)
	Primary Chaincase	$\frac{1}{2}$ pint (300 c.c.)
	Front Forks (each leg)	$\frac{1}{3}$ pint (200 c.c.)
Brakes	Front, diameter	8 in. (20.32 cm.)
	Rear, diameter	7 in. (17.18 cm.)
Tyre Size	Front	3.25 x 19
	Rear	4.00 x 18

## CARTON PACK LIST

The following sub-assemblies are supplied in carton packs under the part number stated. The contents of these carton packs are preserved and will not deteriorate under adverse conditions.

<i>Part No.</i>	<i>Contents</i>		
<b>PISTONS (c/w rings, gudgeon pins and circlips)</b>			
E.6908	7.5 : 1 C.R.	350 c.c.	Low grade fuel
E.6899	9.5 : 1 C.R.	350 c.c.	Standard T.90
E.6906	7.0 : 1 C.R.	500 c.c.	Low grade fuel
E.6884	9 : 1 C.R.	500 c.c.	T.100R, T.100T, T100C
E.7603	7.5 : 1 C.R.	500 c.c.	T.100P
All piston assemblies are available in 0.010 in., 0.020 in., 0.040 in., oversizes (0.25 m.m., 0.5 m.m., 1.0 m.m.).			
<b>BRAKE LININGS</b>			
C.P. 38/AM2	2	NW243	Brake lining
	16	W129	Rivet
C.P. 205	2	W1734	Brake lining
	16	W129	Rivet
<b>VALVE SPRINGS (all models)</b>			
C.P.177	4	E5946	Inner valve spring
	4	E4011	Outer valve spring
De-coke Gasket Set	All models	D/GS 6	
Overhaul Gasket Set	All T100	GST100/65/66	
<b>STEERING HEAD RACES</b>			
C.P. 156	2	H111	Cup
	1	H439	Cone
	1	H1018	Top cone
	40	S70-3	Ball

# HOW TO USE THIS PARTS CATALOGUE

First check that the engine number of your machine is subsequent to that quoted on the title page.

Next consult the index on Page 5 for the parts or group of parts which you wish to locate. When you have located the parts make sure from the end columns that the part you have located does apply to your machine.

List the quantities required as single units: do not ask for "2 pairs" or "3 dozen".

In case of painted items always state the colour required. Painted parts are available only in the colours or alternatives specified for that model of that particular year.

All items refer to the standard T90/T100S unless otherwise stated.

Proprietary components, e.g. electrical equipment, carburetters, suspension units etc., are listed in the first column under Triumph part numbers (prefixed either D- or 99-) wherever they are stocked at the Factory. If proprietary parts are listed only under manufacturers part numbers, they are not available from the factory.

<i>Model</i>	<i>Colour</i>
T100	LINCOLN GREEN/SILVER

Paint is available also in all colours in  $\frac{1}{4}$  pint or 1 gallon tins, or Aerosol containers.

## PLEASE NOTE

THROUGHOUT THIS LIST, ASSEMBLIES ARE PRINTED IN CAPITALS AND THE COMPONENTS INCLUDED IN THAT ASSEMBLY ARE INDENTED IN THE DESCRIPTION COLUMN, REVERTING TO THE ORIGINAL ALIGNMENT WHEN THE ASSEMBLY IS COMPLETE. TO ORDER THE COMPLETE ASSEMBLY IT IS NECESSARY ONLY TO QUOTE THE ASSEMBLY NUMBER. ANY COMPONENT PARTS LISTED MAY ALSO BE OBTAINED SEPARATELY IF REQUIRED.

## SPECIAL WORKSHOP TOOLS

A COMPLETE LIST OF WORKSHOP TOOLS CAN BE MADE AVAILABLE BY EITHER CONTACTING YOUR DEALER OR APPLYING DIRECT TO THE TRIUMPH SERVICE DEPARTMENT. IN MOST CASES THESE TOOLS ARE VERY COSTLY AS THEY ARE MADE ENTIRELY FOR WORKSHOP USE, AND THEREFORE, IT IS NOT RECOMMENDED THAT THE PRIVATE OWNER PURCHASES THE TOOLS IN ORDER TO AID SERVICING THE MACHINE ONCE OR TWICE ONLY. IN THESE CIRCUMSTANCES IT IS FAR MORE ECONOMICAL TO GET IN TOUCH WITH A RECOGNISED DEALER.

## UNIFIED THREAD FORM

NEW PARTS HAVING THREADED FIXINGS INTRODUCED IN THIS CATALOGUE HAVE THE UNIFIED FORM OF SCREW THREADS. THIS CHANGEVER WILL BE CONTINUED AS AND WHEN NEW PARTS ARE INTRODUCED. EVEN WHERE PARTS ARE SIMILAR IN APPEARANCE NEW PART NUMBERS WILL BE ALLOCATED TO IDENTIFY THE UNIFIED THREADS. ALL NUTS, BOLTS AND STUDS HAVING THIS THREAD ARE IDENTIFIED BY MARKINGS. BOLTS HAVE A CIRCULAR RECESS IN THEIR HEADS, STUDS A CIRCULAR GROOVE ON THE END, AND NUTS HAVE INTERLOCKING CIRCLES ON THE SIDE.

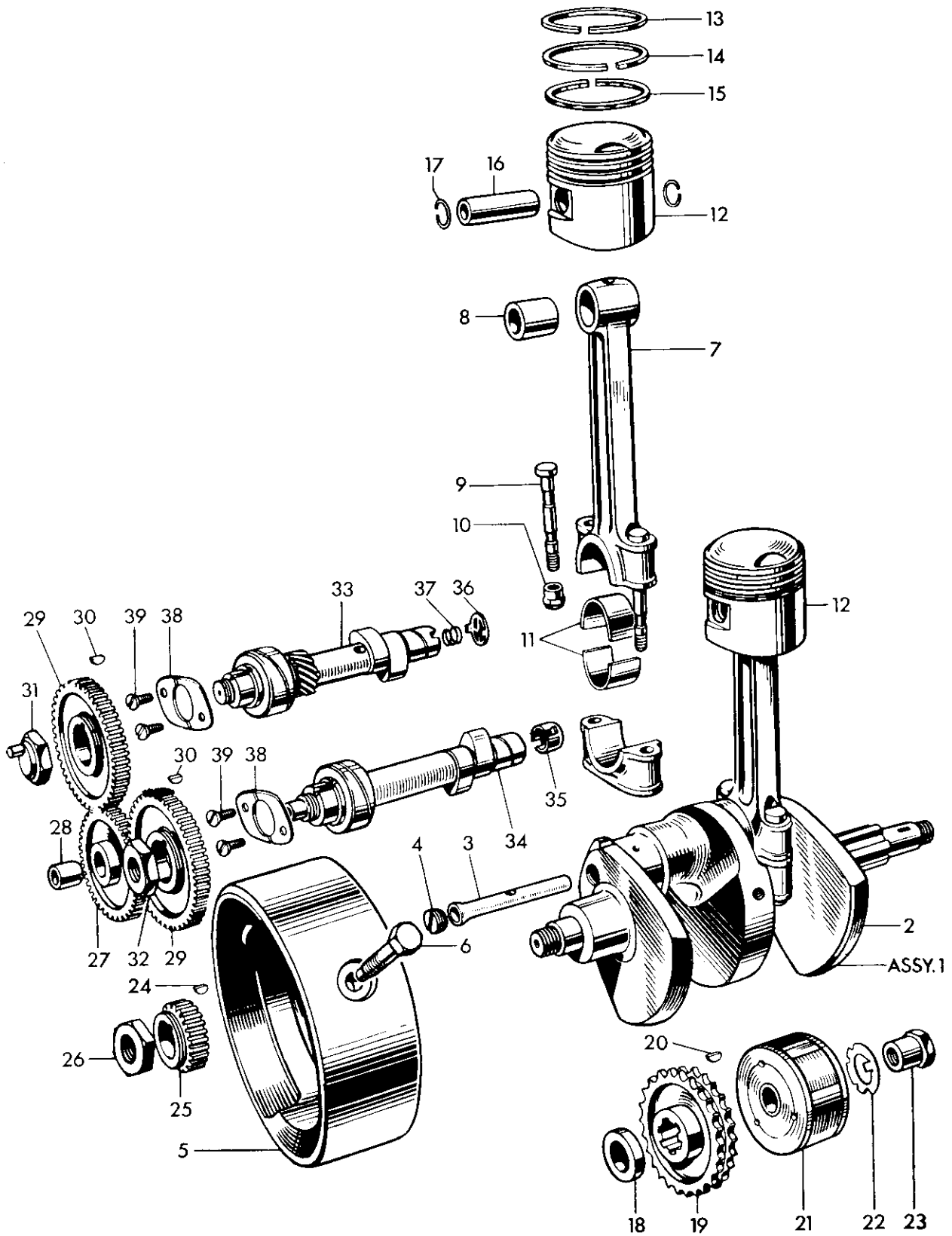


Fig. 1. CRANKSHAFT AND CONNECTING RODS

**CRANKSHAFT AND CONNECTING RODS**

1	E9489	CRANKSHAFT AND FLYWHEEL ASSEMBLY ... ..	1	
2	E9490	Crankshaft ... ..	1	
3	E3999	Oil tube ... ..	1	
4	E9492	Screwed plug ... ..	1	
5	E5870	Flywheel ... ..	1	
6	S1913	Flywheel bolt (1 $\frac{5}{32}$ in. U.H.) ... ..	3	
7	E6964	CONNECTING ROD ... ..	2	T90
7	E4001T	CONNECTING ROD ... ..	2	T100S
7	E8834	CONNECTING ROD ... ..	2	T100T, T100R
8	E1762	Small end bush ... ..	2	T90
8	E4003	Small end bush ... ..	2	T100S
9	E3705	Connecting rod bolt ... ..	2	
10	E2922	Self-locking nut ... ..	2	
11	E3706	Big end bearing (available in —.010 and —.020 undersizes)	4	
12	E6899	PISTON COMPLETE C.R. 9.5 : 1 ... ..	2	T90
12	E6884	PISTON COMPLETE C.R. 9.1 ... ..	2	T100R, T100T, T100S, T100C
13	E6902	Plain compression ring ... ..	2	T90
13	E6893	Taper compression ring ... ..	4	T100S
14	E6903	Taper compression ring ... ..	2	T90
15	E6904	Oil control ring ... ..	2	T90
15	E6894	Oil control ring ... ..	2	T100S
16	E6901	Gudgeon pin ... ..	2	T90
16	E6861	Gudgeon pin ... ..	2	T100S
17	E6905	Circlip ... ..	4	T90
17	E6869	Circlip ... ..	4	T100S
18	E9505	Distance collar ... ..	1	
19	E3734	Engine sprocket, 26T Duplex ... ..	1	
20	E3851	Rotor key ... ..	1	
21	99-0739	Rotor, type RM21 (54213901) ... ..	1	
22	E3975	Tab washer ... ..	1	
23	S1915	Nut ... ..	1	
24	E1580	Key ... ..	1	
25	E1771	Timing pinion ... ..	1	
26	S1914	Nut ... ..	1	
27	E6160	INTERMEDIATE WHEEL ... ..	1	
28	E400	Bush ... ..	1	
29	E1486R	Camshaft wheel ... ..	2	
30	E1558	Camshaft key ... ..	2	
31	E1463	Inlet camshaft nut ... ..	1	
32	E4563	Exhaust camshaft nut ... ..	1	
33	E10043	Inlet camshaft ... ..	1	
34	E10047	Exhaust camshaft ... ..	1	T100T, T100R
34	E10046	EXHAUST CAMSHAFT ... ..	1	T100S, T100C, T90
35	†E4700	Tachometer drive thimble ... ..	1	
36	E5316	Rotary breather valve ... ..	1	
37	E2256	Breather valve spring ... ..	1	
38	E9502	Retaining plate ... ..	2	
39	S1929	Screw ( $\frac{1}{32}$ in. U.H.) ... ..	4	

\* Use D524 Loctite sealant

† Use E7050 to replace without dismantling

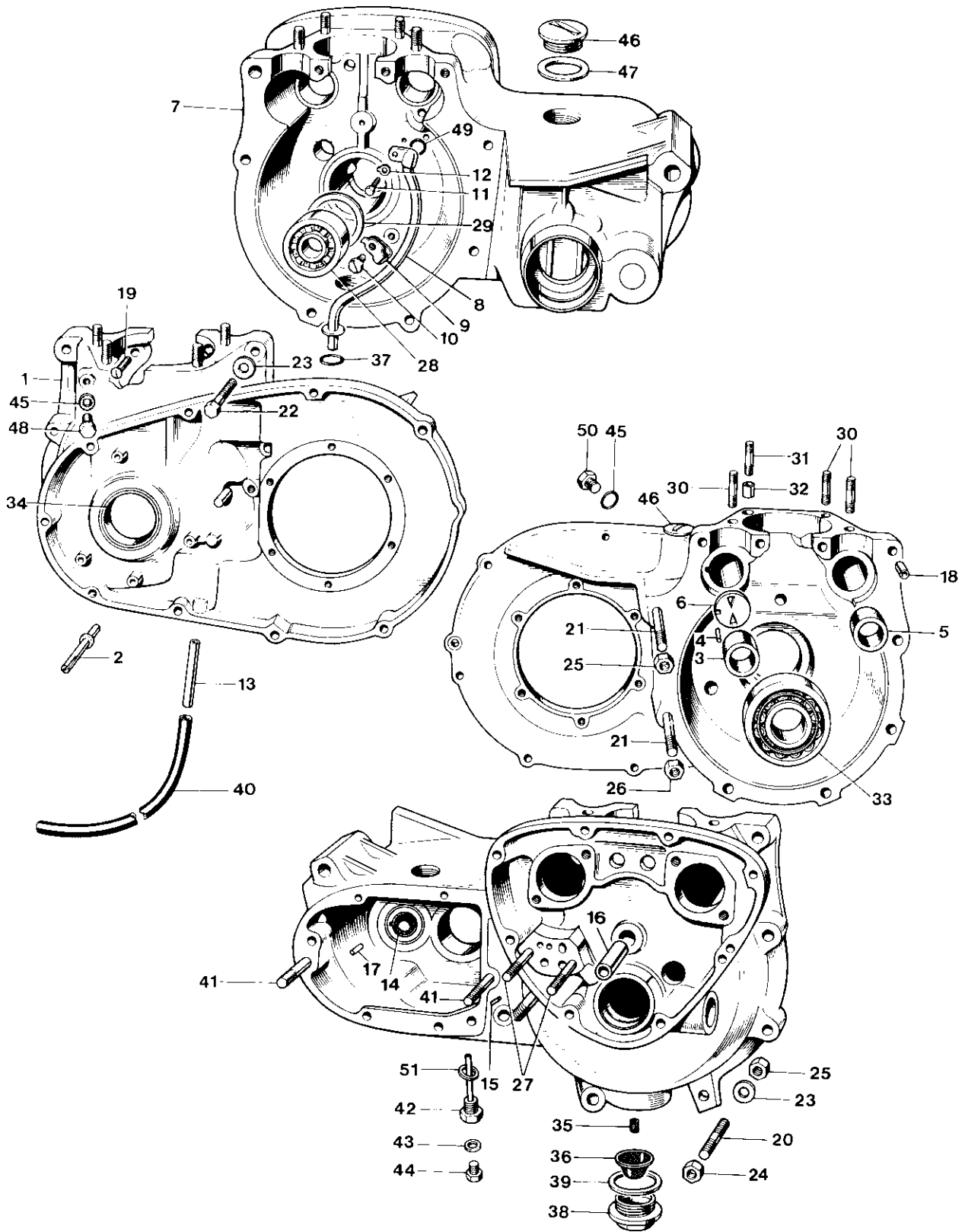


Fig. 2. CRANKCASE

### CRANKCASE

1	E9746	CRANKCASE DRIVE SIDE ... ..	1	
2	E4147	Pivot pin ... ..	1	
3	E3824	Inlet camshaft bush ... ..	1	
4	E3172	Locating pin ... ..	1	
5	E3823	Bush exhaust camshaft ... ..	2	
6	E5316	Rotary valve ... ..	1	
7	E9747	CRANKCASE TIMING SIDE ... ..	1	
8	E9496	Oil scavenge pipe ... ..	1	
9	E1509	Clip ... ..	1	
10	S1920	Screw ... ..	1	
11	14-6102	Bolt ... ..	1	
12	E7430	Tab washer ... ..	1	
13	E2724	Breather pipe ... ..	1	
14	T1606	Needle roller bearing ... ..	1	
15	E6386	Dowel at junction block ... ..		Not serviced
16	E375	Idler gear spindle ... ..	1	
17	T912	Peg (at thrust washer) ... ..	1	
18	E3716	Hollow dowel ... ..	2	
19	S1926	Screw ( $\frac{2\frac{1}{2}}$ in. U.H.) ... ..	2	
20	E3804	Stud (3 in. O.A.) ... ..	1	
21	S1925	Stud ( $3\frac{3}{4}$ in. U.H.) ... ..	2	
22	S1919	Bolt ( $1\frac{5}{8}$ in. U.H.) ... ..	1	
23	S25-3	Plain washer ... ..	3	
24	S1-51	Nut ... ..	3	
25	S1908	Nut ... ..	1	
26	14-0302	Nut ... ..	1	
27	S1864	Oil pump stud ( $1\frac{5}{16}$ in. O.A.) ... ..	2	
28	E9494	Right main bearing (ball journal) ... ..	1	
29	E9503	Abutment ring ... ..	1	
30	S1921	Cylinder base stud ( $1\frac{1}{2}$ in. O.A.) ... ..	6	
31	S1922	Cylinder base stud ( $1\frac{1}{16}$ in. O.A.) ... ..	2	
32	E1534	Dowel ... ..	2	
33	E9493	Left main bearing (Roller journal) ... ..	1	
34	E3876	Oil seal ... ..	1	
35	E3724	Filter spring ... ..	1	
36	E3722	Filter ... ..	1	
37	E7431	Sealing washer ... ..	1	
38	E9501	Filter cap ... ..	1	
39	E1577	Joint washer ... ..	1	
40	E7449	Breather extension pipe ... ..	1	
41	S1927	Stud ( $3\frac{1}{16}$ in. O.A.) ... ..	2	
42	T3851	Drain plug (with level tube) ... ..	1	
43	E2441	Fibre washer ... ..	1	
44	S543	Level plug ... ..	1	
45	E8896	Fibre washer ... ..	1	
46	T2166	Filler plug ... ..	2	
47	E3876	Fibre washer ... ..	1	
48	S1871	Blanking plug (L.H. thread) ... ..	1	
49	E7431	"O" ring ... ..	1	
50	S1872	Plug ... ..	1	
51	T1257	Washer ... ..	1	

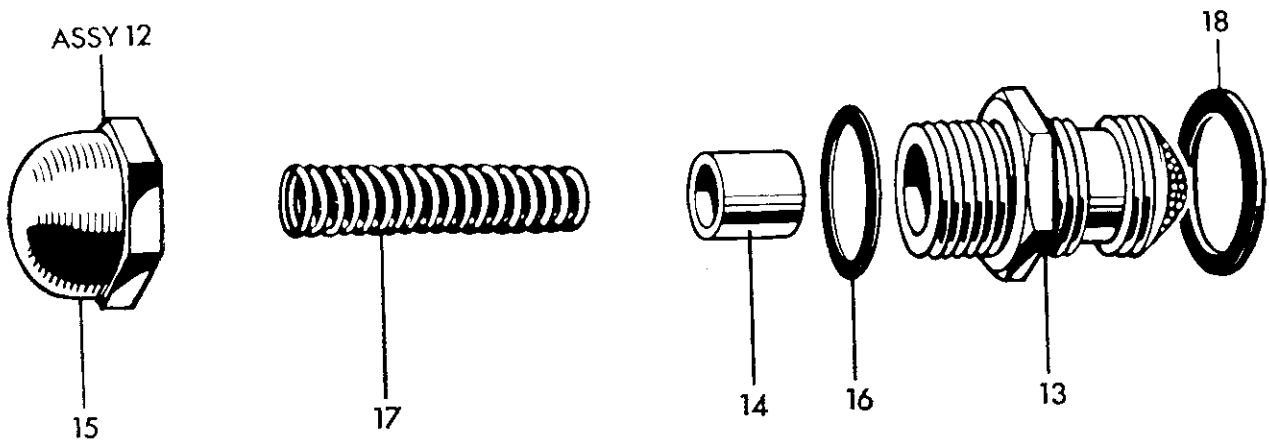
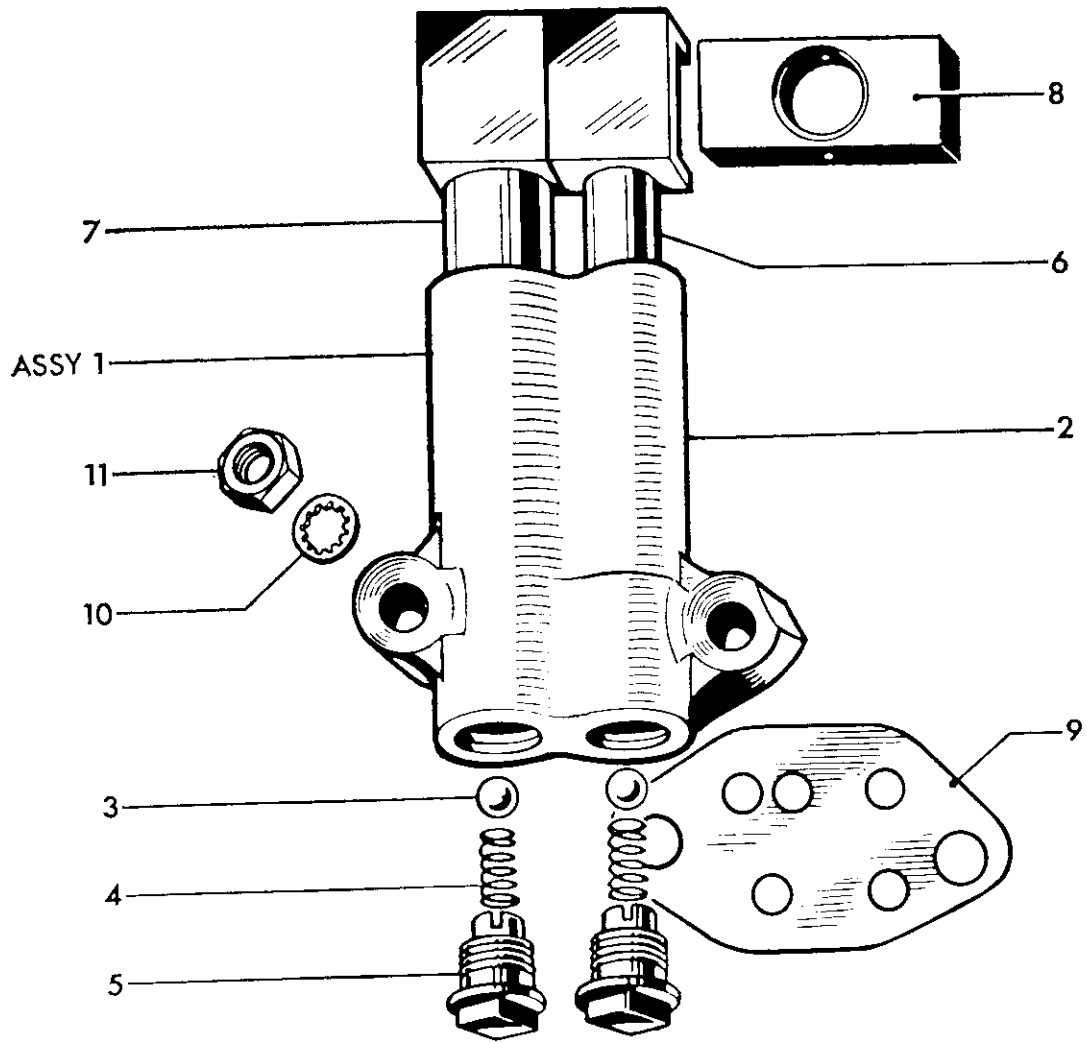


Fig. 3. OIL PUMP AND RELEASE VALVE



**OIL PUMP AND RELEASE VALVE**

Ref. No.	Part No.	Description	Quantity	Remarks
1	E6928	OIL PUMP	1	
2	E6680	Pump body...	1	
3	S70-7	Valve ball	2	
4	E403	Valve spring	2	
5	E2360	Screwed plug	2	
6	GS153	Feed plunger	1	
7	E6681	Scavenge plunger	1	
8	E495	Drive block	1	
9	E3730	Joint washer	1	
10	E3887	Serrated washer	2	
11	S1906	Nut	2	
12	E6595	OIL RELEASE VALVE	1	
13	E7590	Valve body	1	
14	GS251	Piston	1	
15	E6596	Cap	1	
16	E8753	Fibre washer	1	
17	E7591	Main spring	1	
18	E1670	Fibre washer	1	

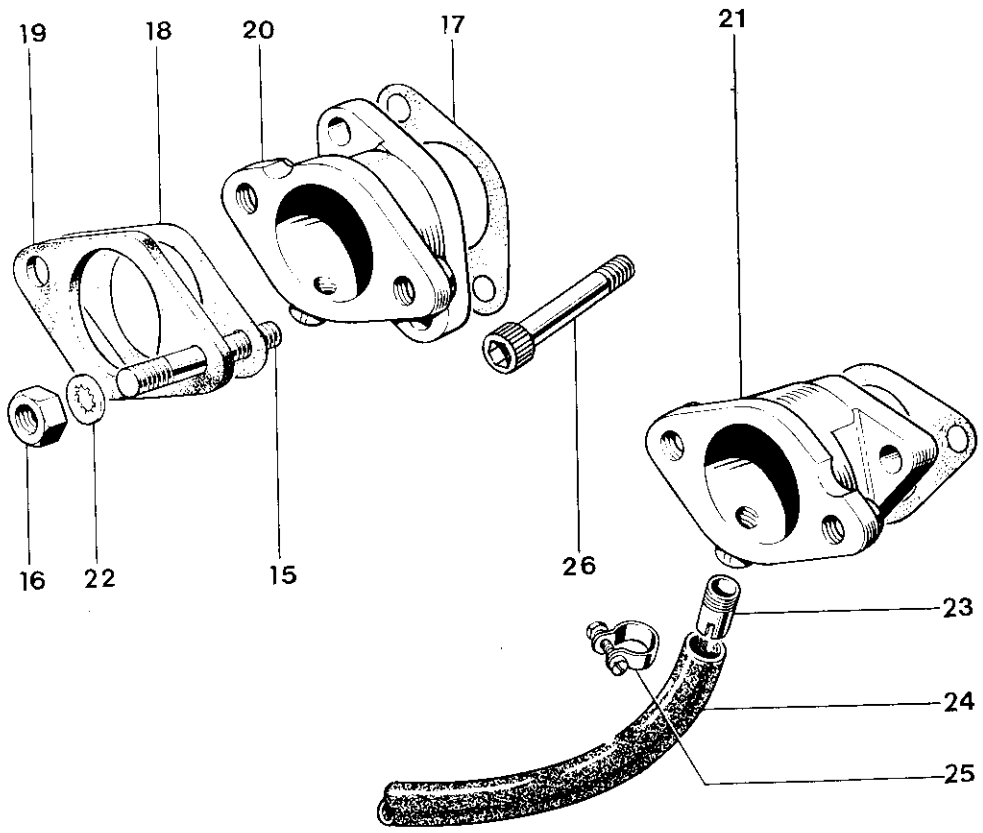
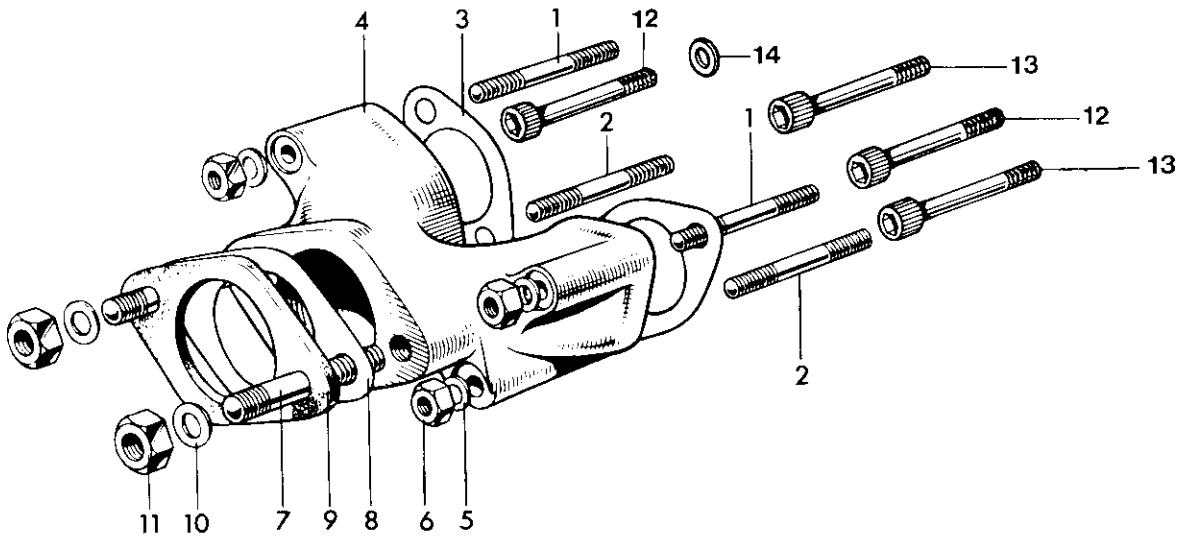


Fig. 4. INLET MANIFOLDS

### INLET MANIFOLDS

#### Single Carburetter Models (T90, T100S, T100C)

1	S1923	Stud (2- $\frac{1}{16}$ in. O.A.)	2	T90
2	S1924	Stud (1- $\frac{9}{32}$ in. O.A.)	2	T90
3	E6772	Joint washer	2	T100S, T100C
4	E4689	Inlet manifold	1	T90
4	E7578	Inlet manifold	1	T100S, T100C
5	S25-3	Plain washer	4	T100S, T100C, T90
6	S1877	Nut	4	
7	E3880	Stud (1- $\frac{1}{4}$ in. O.A.)	2	T90
7	S582	Stud (1- $\frac{5}{16}$ in. O.A.)	2	T100S, T100C
8	NA43A	Joint washer	1	
9	E4504	Insulating block	1	T90
9	E2968	Insulating block	1	T100S
10	E2287	Plain washer	2	
11	S1-51	Nut	2	T90
11	14-0702	Nut locking	2	T100S, T100C
12	14-7019	Socket head screw ( $\frac{7}{8}$ in. U.H.)	2	T100S, T100C
13	14-7024	Socket head screw (2 in. U.H.)	2	T100S, T100C
14	S648	Spring washer	4	

#### Twin Carburetter Models (T100T, T100R)

15	S582	Stud (1- $\frac{5}{16}$ in. U.H.)	4	
16	14-0702	Nut, locking	4	
17	E6772	Joint washer, manifold...	2	
18	NA43A	Joint washer, insulating block	2	
19	E2968	Insulating block	2	
20	E7136	Left manifold	1	
21	E7137	Right manifold	1	
22	E2287	Serrated washer	4	
23	E6916	Connector	2	
24	E6958	Balance pipe	1	
25	E5473	Clip	2	
26	14-7019	Socket head screw ( $\frac{7}{8}$ in. U.H.)	4	

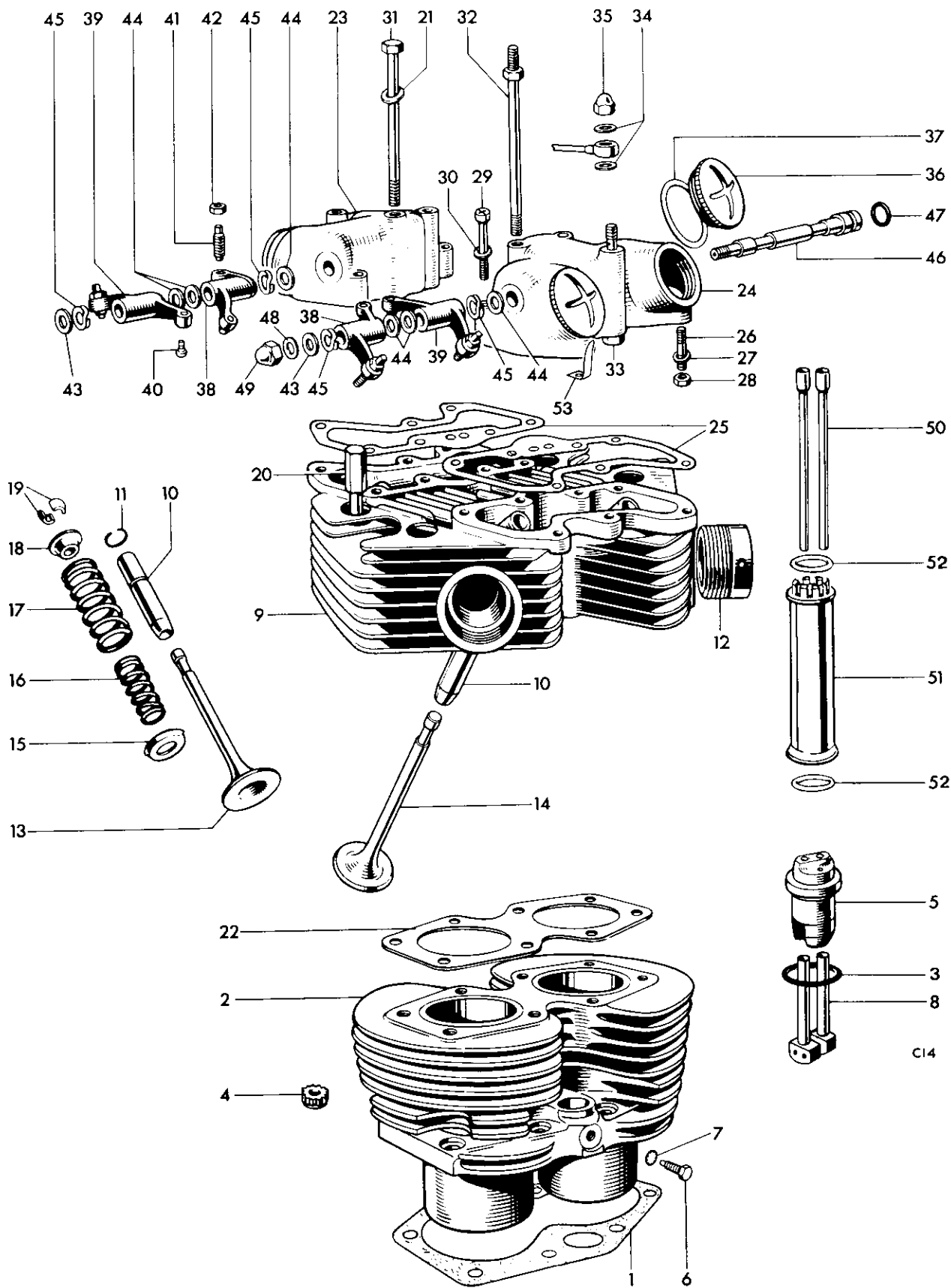


Fig. 5. CYLINDER BLOCK AND HEAD, T90

**CYLINDER BLOCK AND HEAD, T90**

1	E3798	Cylinder base washer ... ..	1
2	E9718	Cylinder block ... ..	1
3	E7563	"O" ring ... ..	2
4	S692	Nut (12 point) ... ..	8
5	E9352	Tappet guide block ... ..	2
6	H200	Tappet block screw ( $\frac{7}{16}$ in. U.H.) ... ..	2
7	E1612	Serrated washer ... ..	2
8	E3753	Tappet ... ..	4
9	E9506	CYLINDER HEAD c/w GUIDES ... ..	1
10	E6301	Valve guide ... ..	4
11	E3209	Valve guide circlip ... ..	4
12	E9510	Exhaust pipe adaptor ... ..	2
13	E4640	Inlet valve ... ..	2
14	E3739	Exhaust valve ... ..	2
15	E6855	Bottom cup ... ..	4
16	E5946	Inner valve spring ... ..	4
17	E4011	Outer valve spring ... ..	4
18	E3742	Top collar ... ..	4
19	WE259A	Split cotter ... ..	8
20	E4456	Cylinder head bolt (2 25/32 in. U.H.) ... ..	4
21	F2184	Plain washer ... ..	8
22	E4674	Cylinder head gasket ... ..	1
23	E3745	Inlet rocker box ... ..	1
24	E3744	Exhaust rocker box ... ..	1
25	E9511	Joint washer ... ..	2
26	E3858	Rocker box stud ( $\frac{1}{8}$ in. O.A.) ... ..	4
27	E3302	Plain washer ... ..	4
28	F879	Nut ... ..	4
29	14-6609	Screw ( $\frac{1}{8}$ in. U.H.) ... ..	4
30	E3857	Plain washer ... ..	4
31	E3794	Cylinder head bolt ( $5\frac{7}{16}$ in. U.H.) ... ..	2
32	14-0220	Cylinder head torque stay bolt ... ..	2
33	E3809	Oil feed bolt ... ..	2
34	F1880	Copper washer ... ..	6
35	H400	Domed nut ... ..	2
36	E4610	Inspection cap ... ..	4
37	E3751	Fibre washer ... ..	4
38	E3749	ROCKER (Right exhaust, left inlet) ... ..	2
39	E3750	ROCKER (Left exhaust, right inlet)... ..	2
40	E10071	Rocker ball pin ... ..	4
41	E3223	Rocker adjusting pin ... ..	4
42	GS662	Adjuster lock nut ... ..	4
43	E1330	Thrust washer, $\frac{3}{8}$ in. ... ..	2
44	E2534	Thrust washer, $\frac{7}{16}$ in. ... ..	6
45	E3224	Spring washer ... ..	4
46	E3748	Rocker spindle ... ..	2
47	E3253	Sealing rubber ... ..	2
48	E1335	Copper washer ... ..	2

(Continued)

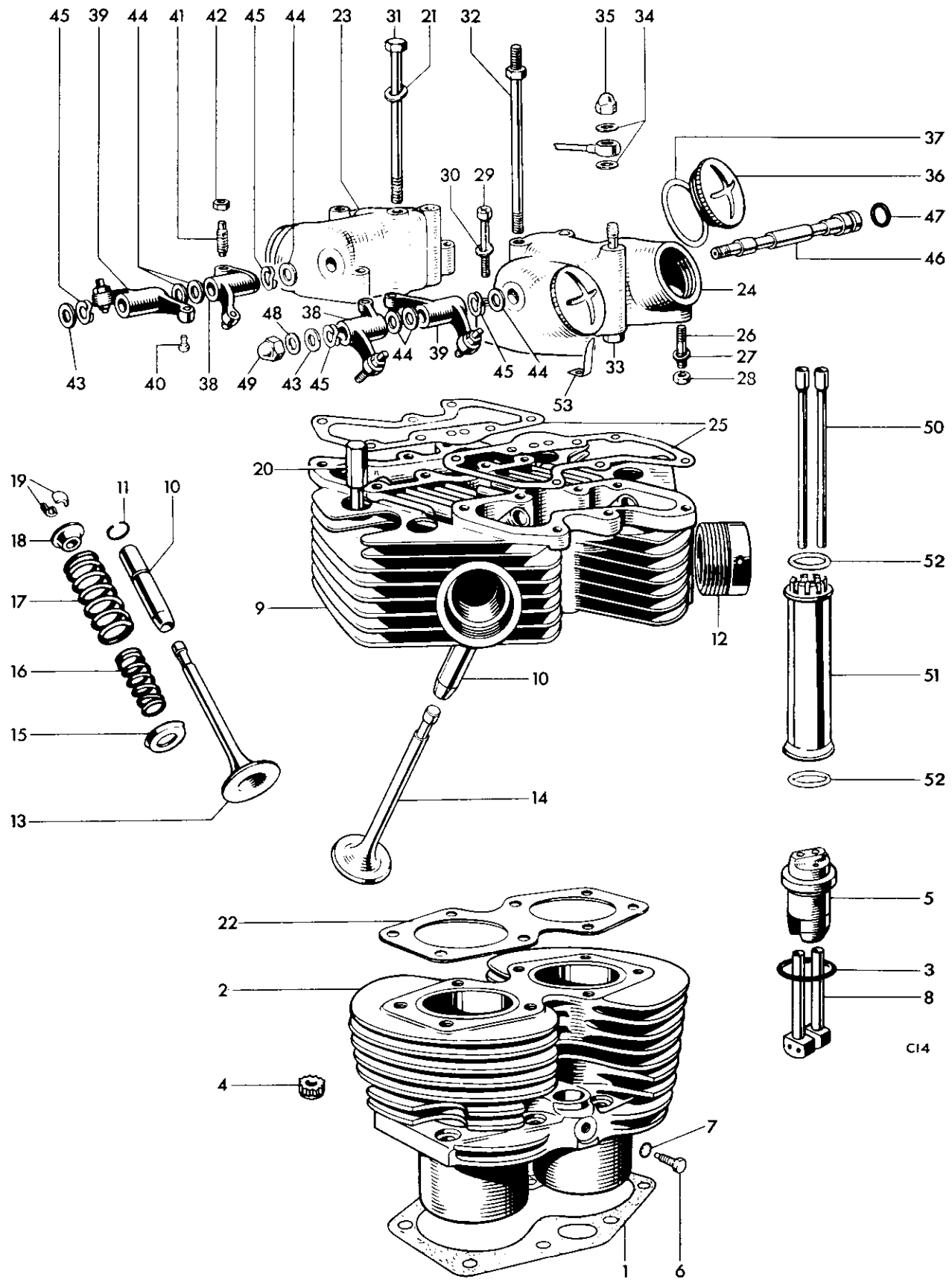


Fig. 5. CYLINDER BLOCK AND HEAD, T90

**CYLINDER BLOCK AND HEAD, T90***(Continued)*

49	E1435	Domed nut ... ..	2
50	E3759	Push rod ... ..	4
51	E9512	Cover tube ... ..	2
52	E7310	Rubber washer ... ..	4
53	E4671	Locking spring ... ..	4

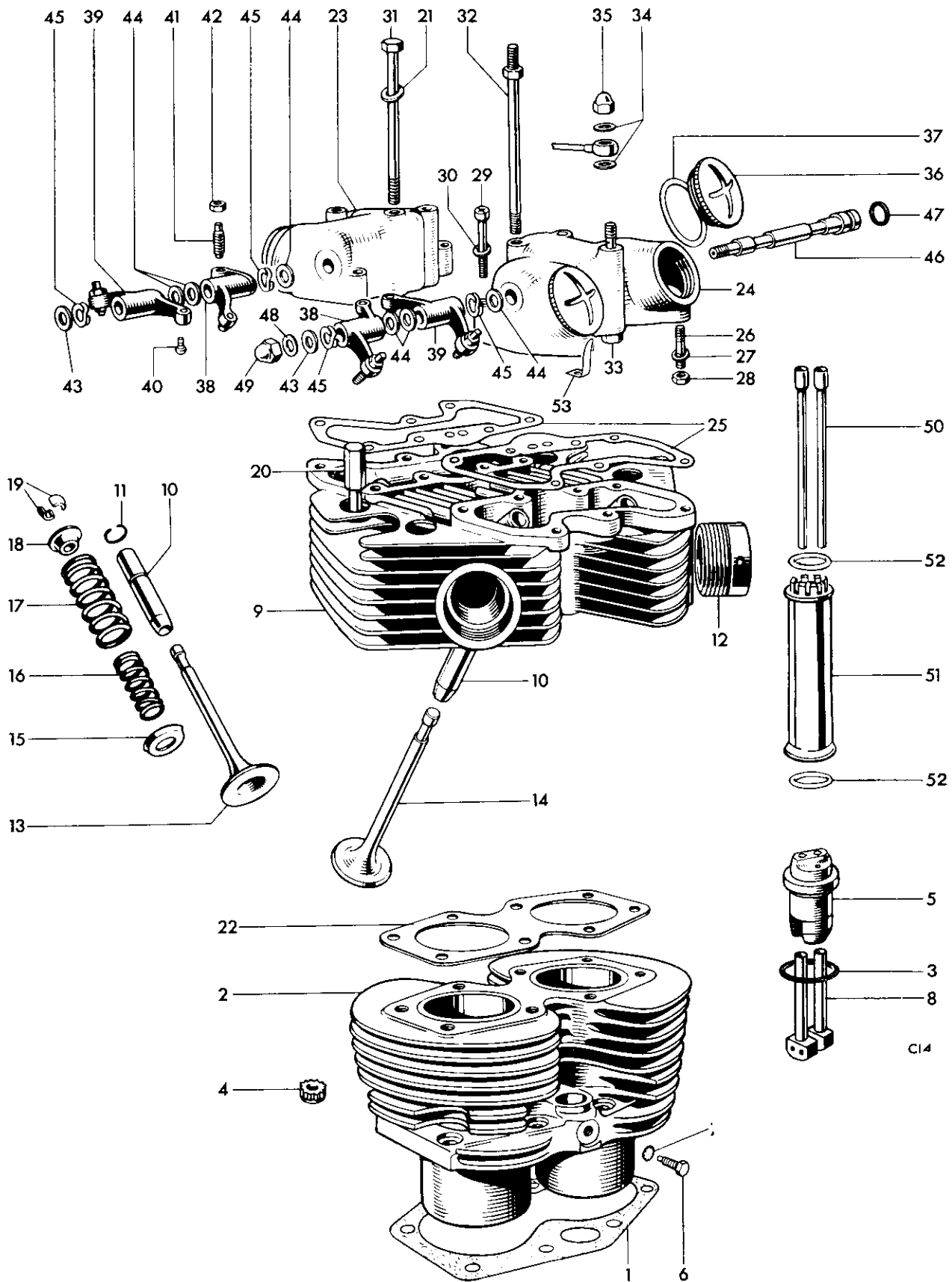


Fig. 6. CYLINDER BLOCK AND HEAD, T100S AND T100C



**CYLINDER BLOCK AND HEAD, T100S, T100C SINGLE CARBURETTER**

1	E3798	Cylinder base washer ... ..	1	
2	E9719	Cylinder block ... ..	1	
3	E7563	"O" ring ... ..	2	
4	S692	Nut (12 point) ... ..	8	
5	E4676	Tappet guide block ... ..	2	
6	H200	Tappet block screw ( $\frac{7}{16}$ in. U.H.) ... ..	2	
7	E1612	Serrated washer ... ..	2	
8	E3753	Tappet ... ..	4	
9	E10277	CYLINDER HEAD c/w GUIDES ... ..	1	T100C
10	E10229	Valve guide (cast iron) ... ..	4	T100C
9	E9507	CYLINDER HEAD c/w GUIDES ... ..	1	T100S
10	E6301	Valve guide ... ..	4	T100S
11	E3209	Valve guide circlips ... ..	4	T100S
12	E9510	Exhaust pipe adaptor ... ..	2	
13	E6853	Inlet valve ... ..	2	
14	E6854	Exhaust valve ... ..	2	
15	E6855	Bottom Cup ... ..	4	
16	E5946	Inner valve spring ... ..	4	
17	E4011	Outer valve spring ... ..	4	
18	E3742	Top collar ... ..	4	
19	WE259A	Split cotter ... ..	8	
20	E4456	Cylinder head bolt (2 $\frac{25}{32}$ in. U.H.) ... ..	4	
21	F2184	Plain washer ... ..	8	
22	E4675	Cylinder head gasket ... ..	1	
23	E3745	Inlet rocker box ... ..	1	
24	E3744	Exhaust rocker box ... ..	1	
25	E9511	Joint washer ... ..	2	
26	E3858	Rocker box stud ( $\frac{15}{16}$ in. O.A.) ... ..	4	
27	E3302	Plain washer ... ..	4	
28	F879	Nut ... ..	4	
29	14-6609	Screw ( $\frac{15}{16}$ in. U.H.) ... ..	4	
30	E3857	Plain washer ... ..	4	
31	E3794	Cylinder head bolt ( $5\frac{7}{16}$ in. U.H.) ... ..	2	
32	E3795	Cylinder head torque stay bolt ... ..	2	
33	E3809	Oil feed bolt ... ..	2	
34	F1880	Copper washer ... ..	6	
35	H400	Domed nut ... ..	2	
36	E4610	Inspection cap ... ..	4	
37	E3751	Fibre washer ... ..	4	
38	E3749	ROCKER (right exhaust, left inlet) ... ..	2	
39	E3750	ROCKER (left exhaust, right inlet) ... ..	2	
40	E7651	Rocker ball pin ... ..	4	
41	E3223	Rocker adjusting pin ... ..	4	
42	GS662	Adjuster lock nut ... ..	4	
43	E1330	Thrust washer, $\frac{3}{8}$ in. ... ..	2	
44	E2534	Thrust washer, $\frac{7}{16}$ in. ... ..	6	
45	E3224	Spring washer ... ..	2	
46	E3748	Rocker spindle ... ..	2	
47	E3253	Sealing rubber ... ..	2	
48	E1335	Copper washer ... ..	2	
49	E1435	Domed nut ... ..	2	
50	E4008	Push rod ... ..	4	
51	E4751	Cover tube ... ..	2	
52	E4752	Rubber washer ... ..	4	
53	E4671	Locking spring ... ..	4	

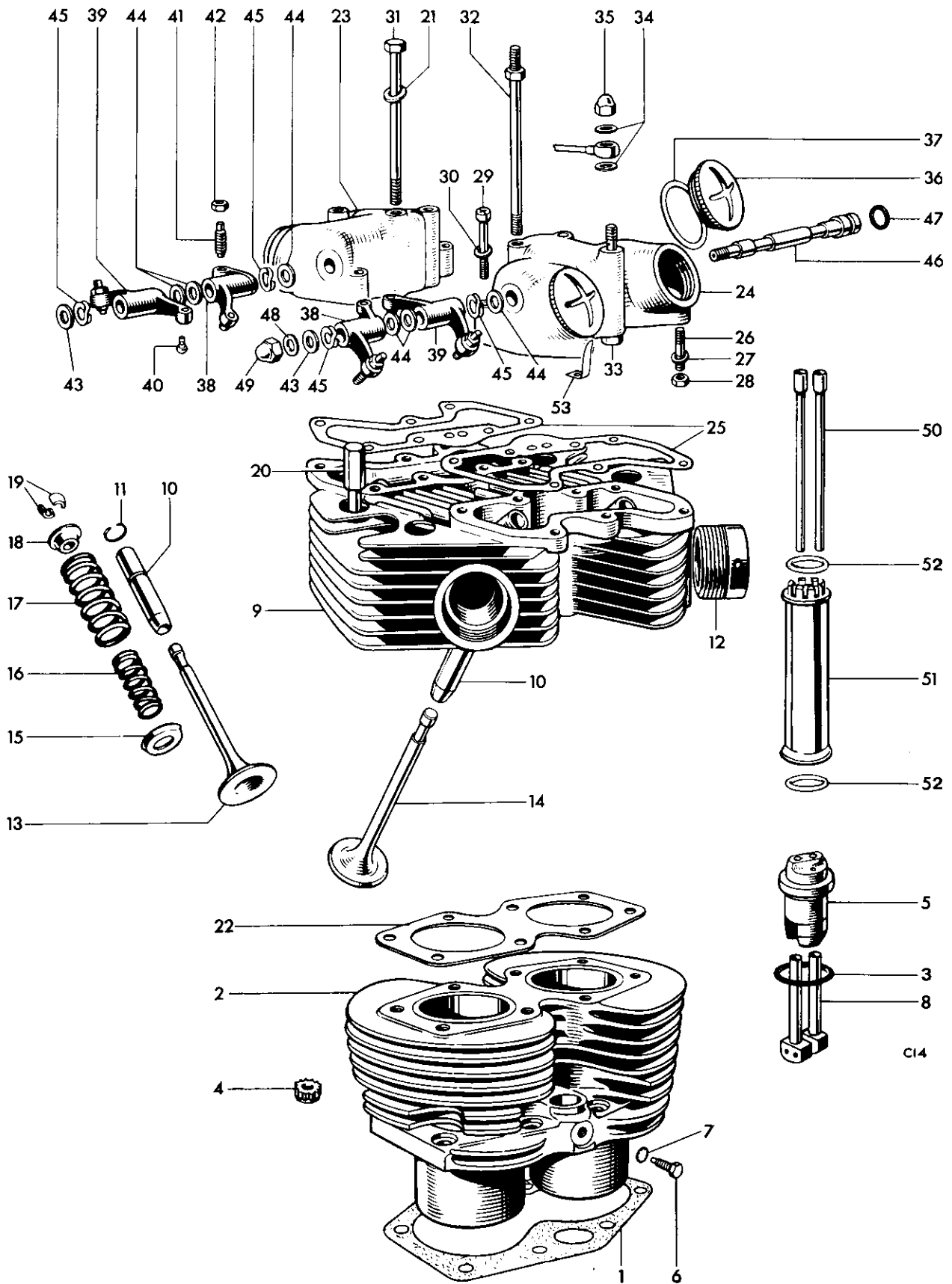


Fig. 7. CYLINDER BLOCK AND HEAD, T100R, T100T

**CYLINDER BLOCK AND HEAD, T100R, T100T TWIN CARBURETTER**

1	E3798	Cylinder base washer ... ..	1	
2	E9719	Cylinder block ... ..	1	
3	E2563	"O" ring ... ..	2	
4	S692	Nut (12 point) ... ..	8	
5	E4676	Tappet guide block ... ..	2	
6	H200	Tappet block screw ( $\frac{7}{16}$ in. U.H.) ... ..	2	
7	E1612	Serrated washer ... ..	2	
8	E4040	Tappet, Racing type ... ..	4	
9	E6966	CYLINDER HEAD c/w GUIDES ... ..	1	
10	E6301	Valve guide ... ..	4	
11	E3209	Valve guide circlip ... ..	4	
12	E2961	Exhaust pipe adaptor ... ..	2	
13	E6853	Inlet valve ... ..	2	
14	E6854	Exhaust valve ... ..	2	
15	E6855	Bottom cup ... ..	4	
16	E5946	Inner valve spring ... ..	4	
17	E4011	Outer valve spring ... ..	4	
18	E3742	Top collar ... ..	4	
19	WE259A	Split cotter ... ..	8	
20	E4456	Cylinder head bolt ( $2\frac{25}{32}$ in. U.H.) ... ..	4	
21	F2184	Plain washer ... ..	8	
22	E4675	Cylinder head gasket ... ..	1	
23	E3745	Inlet rocker box ... ..	1	
24	E3744	Exhaust rocker box ... ..	1	
25	E3743	Joint washer ... ..	2	
26	E3858	Rocker box stud ( $\frac{15}{16}$ in. O.A.) ... ..	4	
27	E3302	Plain washer ... ..	4	
28	F879	Nut ... ..	4	
29	E3668	Screw ( $\frac{15}{8}$ in. U.H.) ... ..	4	
30	E3857	Plain washer ... ..	4	
31	E3794	Cylinder head bolt ( $5\frac{7}{16}$ in. U.H.) ... ..	2	
32	E3795	Cylinder head torque stay bolt ... ..	2	
33	E3809	Oil feed bolt ... ..	2	
34	F1880	Copper washer ... ..	6	
35	H400	Domed nut ... ..	2	
36	E4610	Inspection cap ... ..	4	
37	E3751	Fibre washer ... ..	4	
38	E3749	ROCKER (right exhaust, left inlet) ... ..	2	
39	E3750	ROCKER (left exhaust, right inlet) ... ..	2	
40	E7651	Rocker ball pin ... ..	4	
41	E3223	Rocker adjusting pin ... ..	4	
42	GS662	Adjuster lock nut ... ..	4	
43	E1330	Thrust washer, $\frac{3}{8}$ in. ... ..	4	
44	E2534	Thrust washer, $\frac{7}{16}$ in. ... ..	6	
45	E3224	Spring washer ... ..	2	
46	E3748	Rocker spindle ... ..	2	
47	E3253	Sealing rubber ... ..	2	
48	E1335	Copper washer ... ..	2	
49	E1435	Domed nut ... ..	2	
50	E4008	Push rod ... ..	4	
51	E4751	Cover tube ... ..	2	
52	E4752	Rubber washer ... ..	4	
53	E4671	Locking spring ... ..	4	

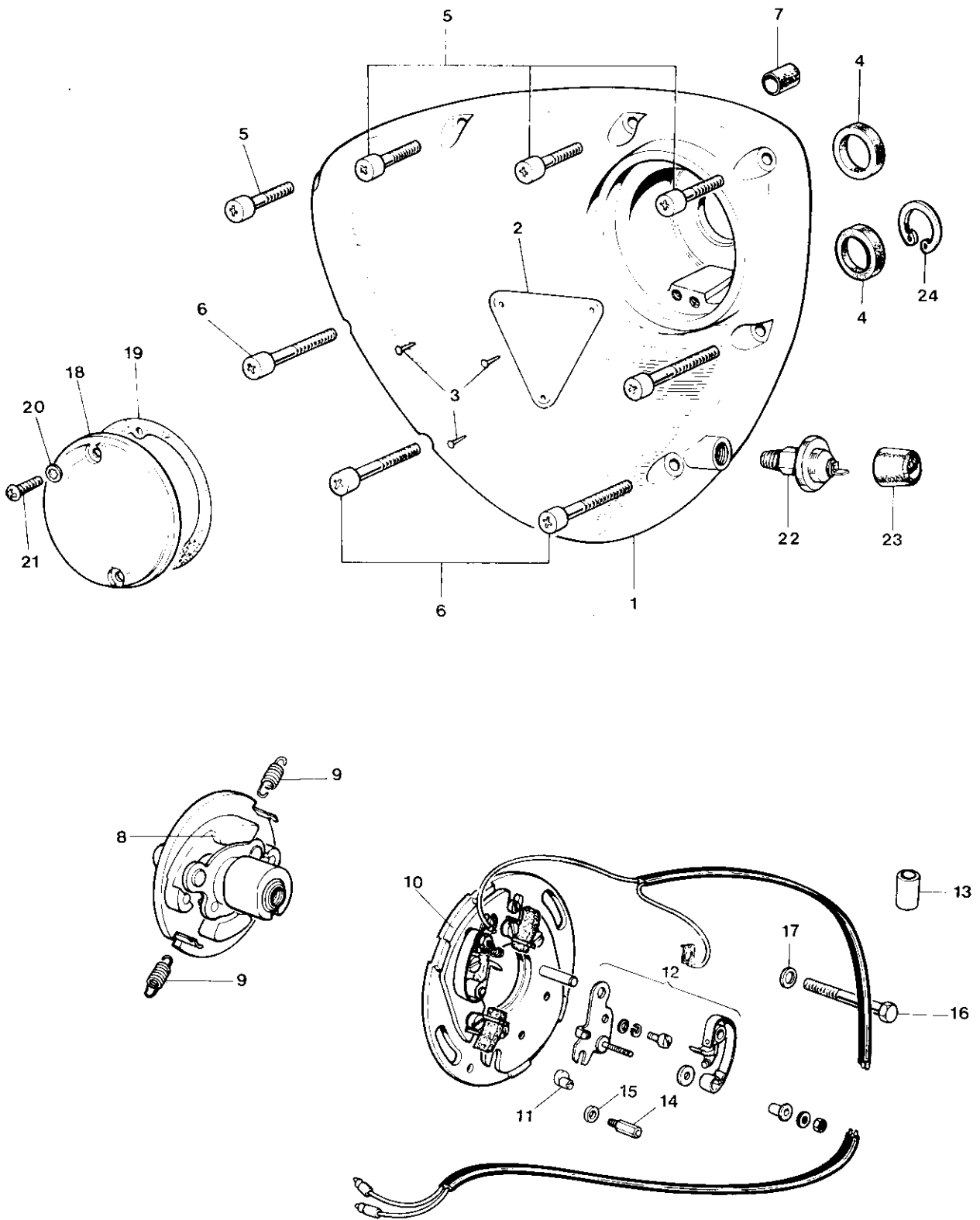


Fig. 8. TIMING COVER AND CONTACT BREAKER

**TIMING COVER AND CONTACT BREAKER**

Ref. No.	Part No.	DESCRIPTION	QUANTITY	REMARKS
1	E9250	Timing cover ... ..	1	
2	D1802	Patent plate ... ..	1	
3	D208-5	Hammer-drive screw ... ..	3	
4	E4568	Oil seal ... ..	1	
5	14-6607	Screw ( $\frac{7}{8}$ in. U.H.) ... ..	4	
6	S1916	Screw ( $1\frac{1}{8}$ in. U.H.) ... ..	4	
7	T989	Hollow dowel ... ..	1	
8	99-0771	AUTO-ADVANCE UNIT (54419340) ... ..	1	
9	99-0757	Spring set (54415642) ... ..	1	
10	99-0768	CONTACT BREAKER PLATE ASSEMBLY (54419097) ... ..	1	
11	99-0769	Pin adjustment (54419220) ... ..	2	
12	99-0772	Contact set (54419827) ... ..	2	
13	E4707	Rubber grommet ... ..	1	
14	E7680	Pillar bolt ... ..	2	
15	E6559	Washer ... ..	2	
16	E8828	Bolt ( $2\frac{1}{8}$ in. U.H.) ... ..	1	
17	S25-43	Washer ... ..	1	
18	E8737	Cover ... ..	1	
19	E5049	Joint washer ... ..	1	
20	GS299	Serrated washer ... ..	2	
21	E7354	Screw ... ..	2	
22	D2133	Oil pressure switch ... ..	1	
23	D2045	Cover pressure switch ... ..	1	
24	E4569	Circlip ... ..	1	
—	E4849	Dowel pin, auto advance to camshaft ... ..	1	Not illustrated
—	D2138	Timing label for C.B. cover ... ..		Not illustrated

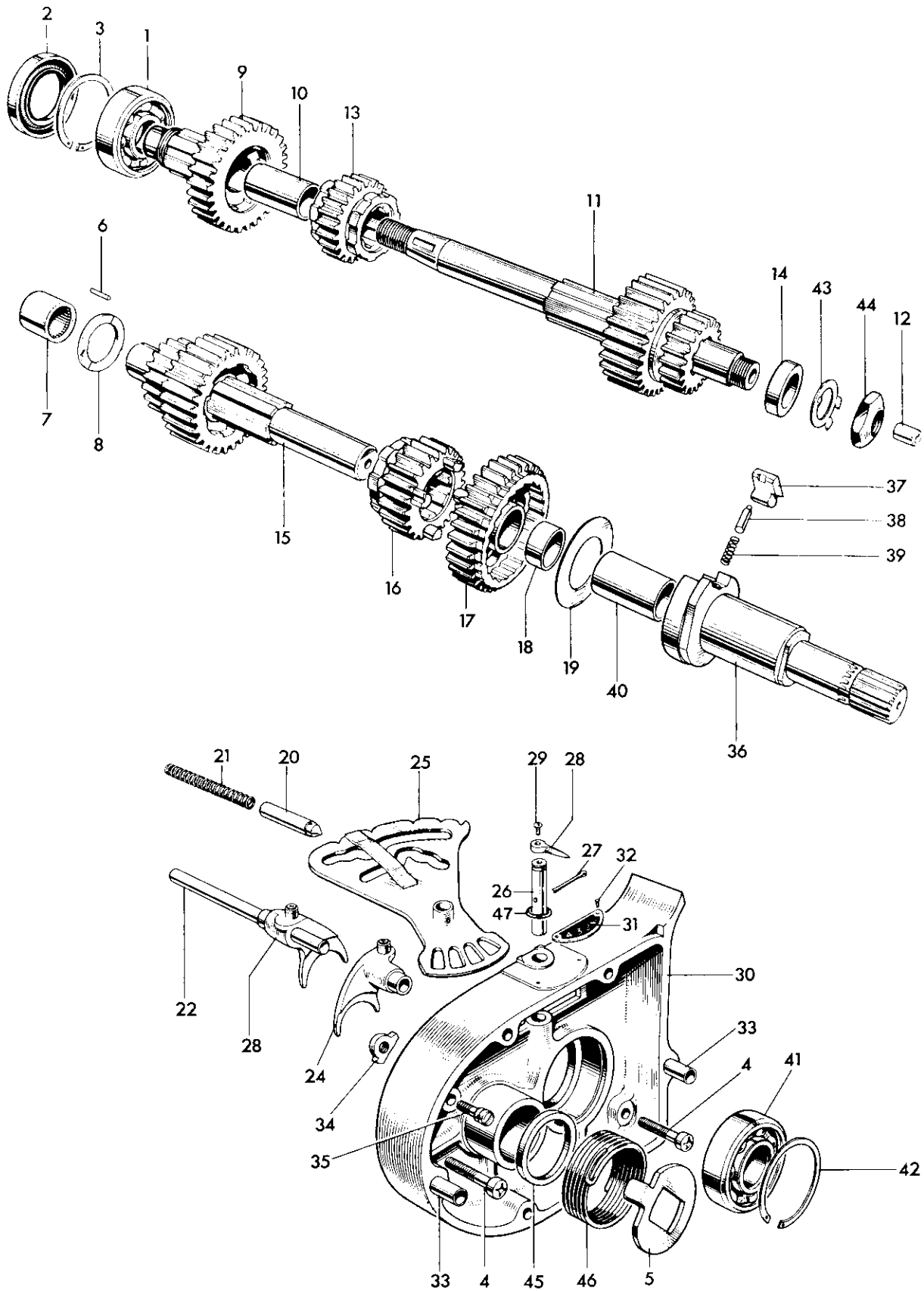


Fig. 9. GEARBOX SHAFTS, BEARINGS AND INNER COVER

**GEARBOX SHAFTS, BEARINGS AND INNER COVER**

Ref. No.	Part No.	DESCRIPTION	QUANTITY	REMARKS
1	T665	High gear bearing (ball journal) ... ..	1	
2	T1478	Oil seal ... ..	1	
3	W680	Circlip ... ..	1	
4	14-6608	Screw (1 in. U.H.) ... ..	2	
5	T1422	Return spring plate ... ..	1	
6	T912	Peg ... ..	1	
7	T1606	Layshaft bearing ... ..	1	
8	T1607	Thrust washer ... ..	1	
9	T2318	MAINSHAFT HIGH GEAR (22T) ... ..	1	} T90, T100S, T100T and West Coast T100C
10	T1405	High gear bush ... ..	1	
11	T2275	MAINSHAFT c/w THIRD AND LOW GEARS (16/24T)	1	
12	T1391	Clutch rod bush ... ..	1	
13	T1922	Mainshaft second gear (21T) ... ..	1	
14	T1411	Mainshaft distance piece ... ..	1	
15	T1949	Layshaft c/w second and high gears (15/23T)	1	
16	T1839	Layshaft third gear (20T) ... ..	1	
17	T1950	LAYSHAFT LOW GEAR (27T) ... ..	1	
18	T1393	Low gear bush ... ..	1	
19	T1426	Pawl retaining disc ... ..	1	
20	T3660	Camplate index plunger ... ..	1	
21	T3661	Index plunger spring ... ..	1	
22	T1457	Selector fork spindle ... ..	1	
23	T1480	Mainshaft selector fork ... ..	1	
24	T1481	Layshaft selector fork ... ..	1	
25	T1768	Gear selector camplate ... ..	1	
26	T1418	Camplate spindle ... ..	1	
27	$\frac{1}{8}$ in. x $\frac{3}{4}$ in.	Split pin ... ..	1	
28	T1416	Gear indicator pointer ... ..	1	
29	H688	Screw ( $\frac{5}{16}$ in. U.H.) ... ..	1	
30	T3754	Inner cover ... ..	1	
31	T1417	Gear indicator plate ... ..	1	
32	D208-5	Indicator plate rivet ... ..	2	
33	T1440	Hollow dowel ... ..	2	
34	T1157	Kickstarter stop plate ... ..	1	
35	T1390	Stop plate and anchor screw ... ..	1	
36	T1981	KICKSTARTER SPINDLE ... ..	1	
37	T1431	Kickstarter pawl ... ..	1	
38	T1282	Plunger ... ..	1	
39	T1161	Plunger spring ... ..	1	
40	T1897	Bearing ... ..	1	
41	T1469	Mainshaft bearing (Ball journal) ... ..	1	
42	T280	Circlip ... ..	1	
43	T732	Tab washer ... ..	1	
44	S594	Mainshaft nut ... ..	1	
45	T1464	Distance piece ... ..	1	
46	T1441	Kickstarter return spring ... ..	1	
47	E4803	"O" ring ... ..	1	

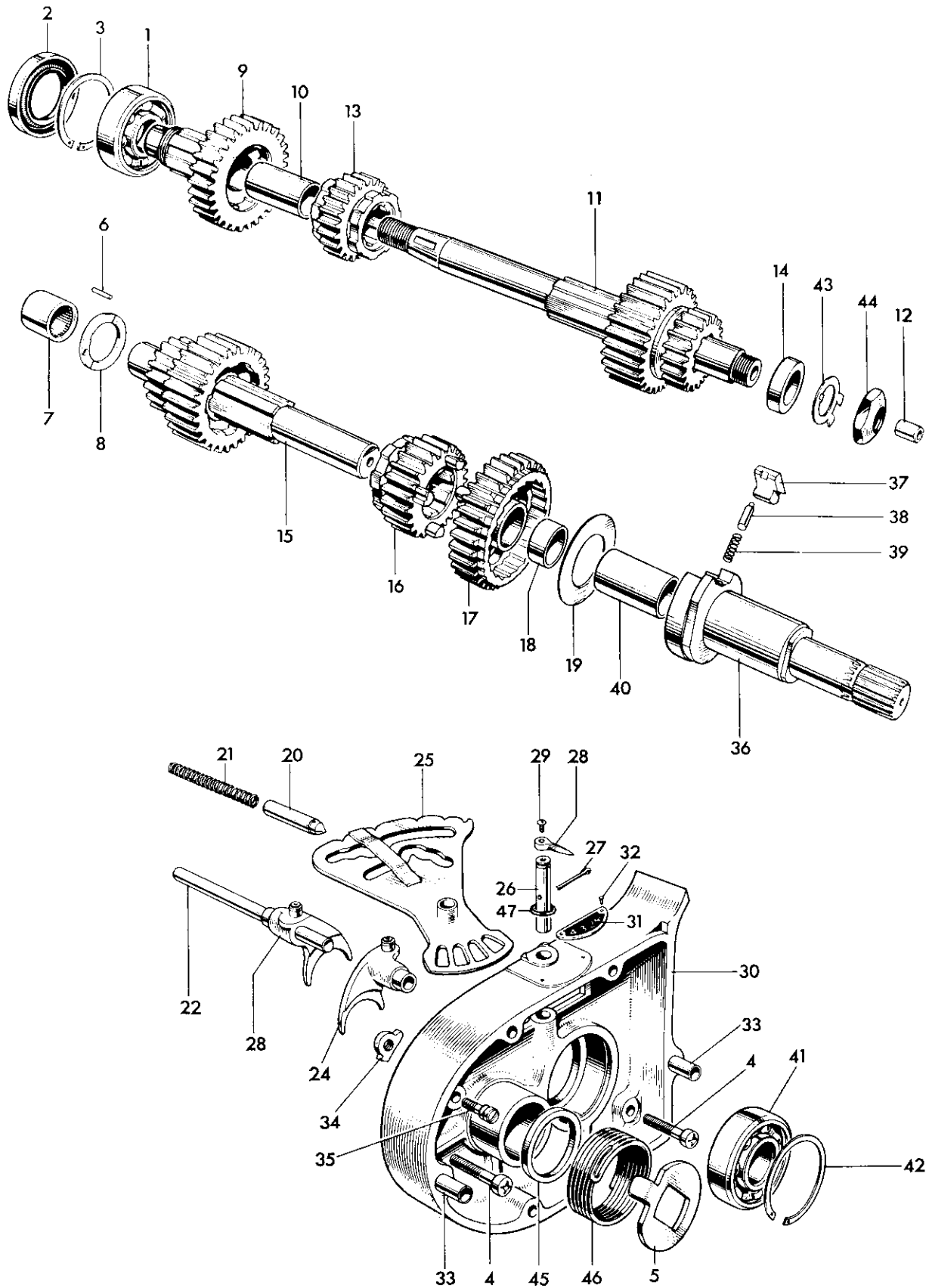


Fig. 9. GEARBOX SHAFTS, BEARINGS AND INNER COVER



**WIDE RATIO GEARS***(Can be fitted to T90 or T100)**Standard on East Coast T100C*

Ref. No.	Part No.	DESCRIPTION	QUANTITY	REMARKS
9	T2534	MAINSHAFT HIGH GEAR (23T) ... ..	1	
11	T2277	MAINSHAFT c/w THIRD AND LOW GEAR (15/24T) ...	1	
13	T1837	Mainshaft second gear (20T) ... ..	1	
15	T1960	Layshaft c/w second and high gear (14/24T) ...	1	
16	T1839	Layshaft third gear (20T) ... ..	1	
17	T1961	LAYSHAFT LOW GEAR (29T) ... ..	1	

**CLOSE RATIO GEARS***(Can be fitted to T90 or T100)*

Ref. No.	Part No.	DESCRIPTION	QUANTITY	REMARKS
9	T2532	MAINSHAFT HIGH GEAR (20T) ... ..	1	
11	T2276	MAINSHAFT c/w THIRD AND LOW GEAR (16/22T) ...	1	
13	T1832	Mainshaft second gear (20T) ... ..	1	
15	T1972	Layshaft c/w second and high gear (17/23T) ...	1	
16	T1842	Layshaft third gear (21T) ... ..	1	
17	T1950	LAYSHAFT LOW GEAR (27T) ... ..	1	

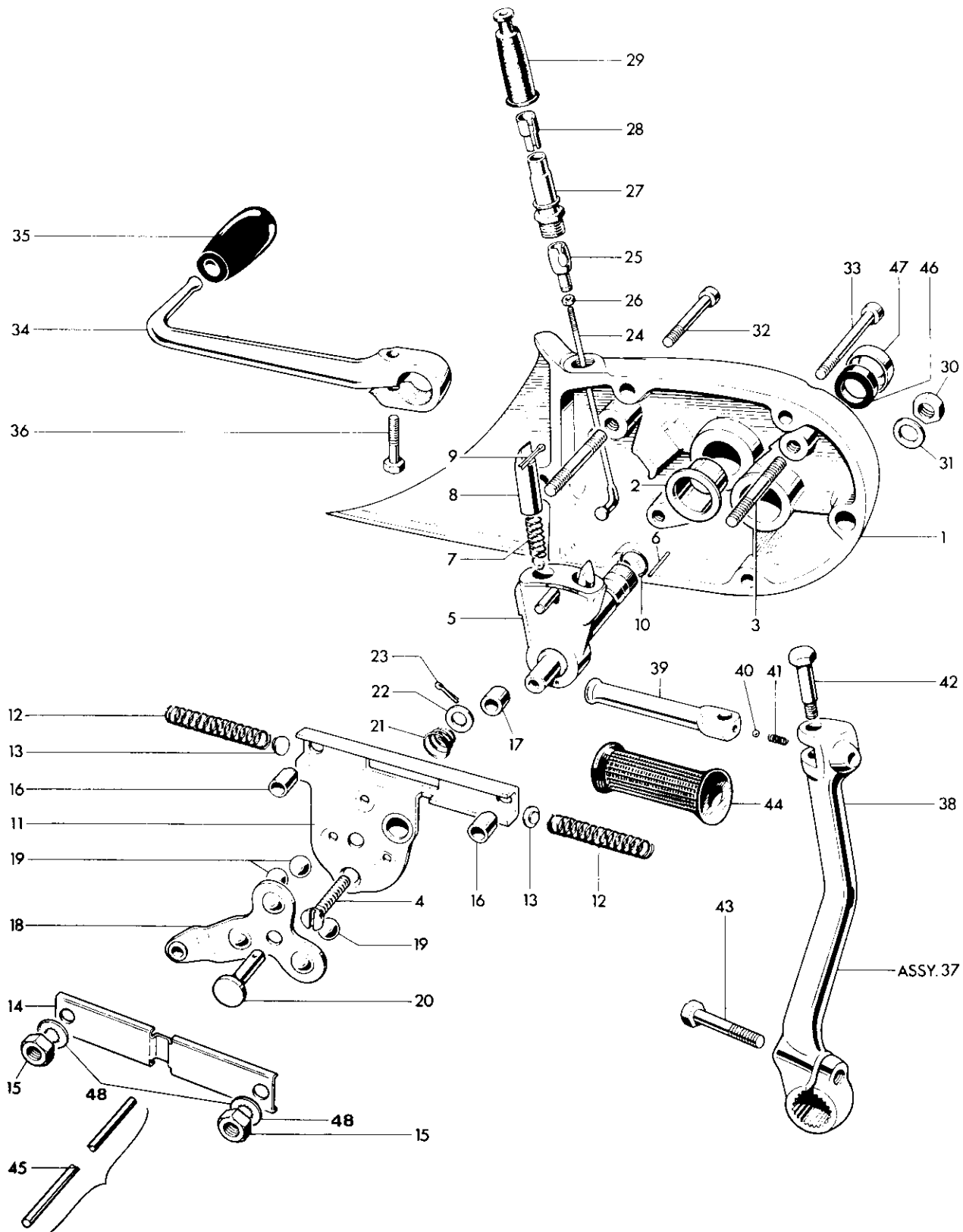


Fig. 10. GEARBOX OUTER COVER AND LEVERS

## GEARBOX OUTER COVER AND LEVERS

Ref. No.	Part No.	Description	Quantity	Remarks
1	T3755	GEARBOX OUTER COVER...	1	
2	T1395	Gearchange spindle bush...	1	
3	S1928	Stud (1 $\frac{5}{16}$ in. O.A.)	2	
4	14-6505	Screw ( $\frac{7}{8}$ in. O.A.)	1	
5	T1942	GEARCHANGE QUADRANT	1	
6	T1474	Spring retaining pin	2	
7	T1436	Plunger spring	2	
8	T1396	Selector plunger	2	
9	5/64 in. x $\frac{3}{4}$ in.	Split pin	2	
10	E3309	Sealing ring	1	
11	T1871	Return spring housing	1	
12	T1877	Return spring	2	
13	T1878	Thrust button	2	
14	T1977	Cover	1	
15	S1877	Nut	3	
16	T1876	Distance piece	2	
17	T1874	Distance piece	1	
18	T1880	Clutch lever	1	
19	T1771	Ball, $\frac{3}{8}$ in. diam.	3	
20	T1710	Shaft	1	
21	T1712	Spring	1	
22	GS127	Plain washer	1	
23	5/64 in. x $\frac{1}{2}$ in.	Split pin	1	
24	T1945	Spoke	1	
25	T1946	Connector	1	
26	T1937	Nut	1	
27	T3784	Abutment	1	
28	T2062	Adaptor, short	As required	
28	T2063	Adaptor, long (For cable with short outer cover)	As required	
29	T1646	Rubber cover	1	
30	14-0302	Nut	2	
31	S25-3	Plain washer	2	
32	S1918	Screw (2 $\frac{3}{8}$ in. U.H.)	2	
33	S1917	Screw (2 $\frac{5}{8}$ in. U.H.)	2	
34	T1435	Gearchange lever	1	
35	T2450	Pedal rubber	1	
36	W932	Bolt (1 in. U.H.)	1	
37	T3797	KICKSTARTER LEVER COMPLETE	1	
38	T3742	Kickstarter crank	1	
39	T1272	Kickstarter pedal	1	
40	S70-3	Steel ball ( $\frac{1}{4}$ in. diam.)	1	
41	T1167	Index spring	1	
42	S541	Pivot bolt	1	
43	S644	Clamp bolt (1 $\frac{5}{16}$ in. U.H.)	1	
44	T2330	Pedal rubber	1	
45	T1970	Clutch operating rod	1	T90, T100S
46	T2239	Oil seal	1	
47	T2238	Oil seal cover	1	
48	E1612	Serrated washer	2	

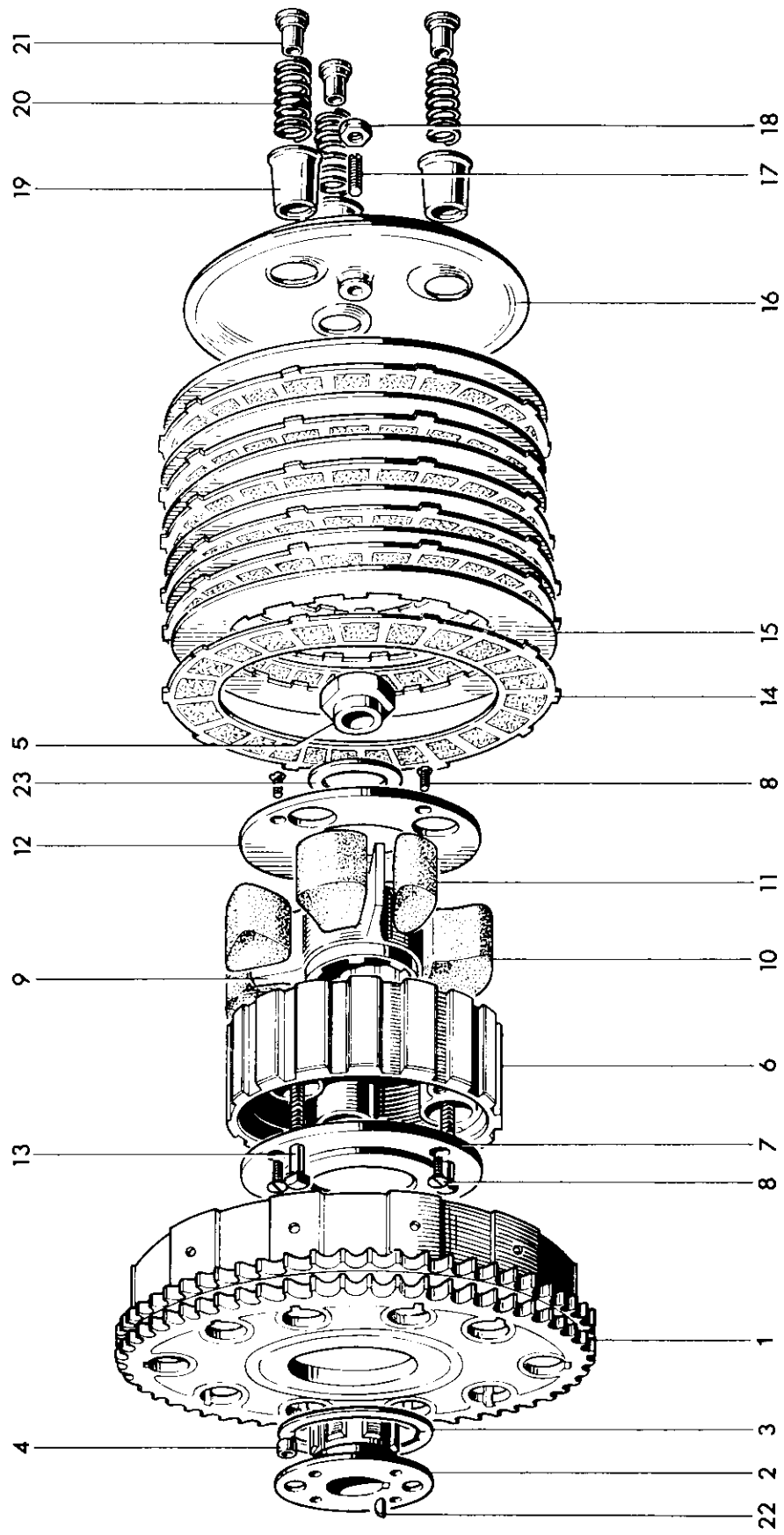


Fig. 11. CLUTCH

**CLUTCH**

Ref. No.	Part No.	DESCRIPTION	QUANTITY	REMARKS
1	T1570	Sprocket and housing ... ..	1	
2	T1751	Hub ... ..	1	
3	T1735	Thrust washer ... ..	1	
4	T394	Roller ... ..	20	
5	S586	Nut ... ..	1	
6	T1719	Centre (Shock absorber body) ... ..	1	
7	T1720	Inner plate ... ..	1	
8	T1040	Countersunk screw (0.417 in. U.H.) ... ..	6	
9	T2538	Shock absorber spider ... ..	1	
10	T1722	Drive rubber (large) ... ..	3	
11	T1723	Rebound rubber (small) ... ..	3	
12	T1724	Outer plate ... ..	1	
13	T423A	Screwed pin ( $1\frac{3}{32}$ in. U.H.) ... ..	3	
14	T1362	Driving plate (bonded) ... ..	6	
15	T1363	Driven plate (plain) ... ..	6	
16	T2156	Pressure plate ... ..	1	
17	T2159	Adjuster pin ... ..	1	
18	14-0403	Nut ... ..	3	
19	T1931	Spring cup ... ..	3	
20	T1560	Spring ... ..	3	
21	T2526	Nut ... ..	1	
22	S66-1	Key ... ..	1	
23	T2279	Washer ... ..	1	

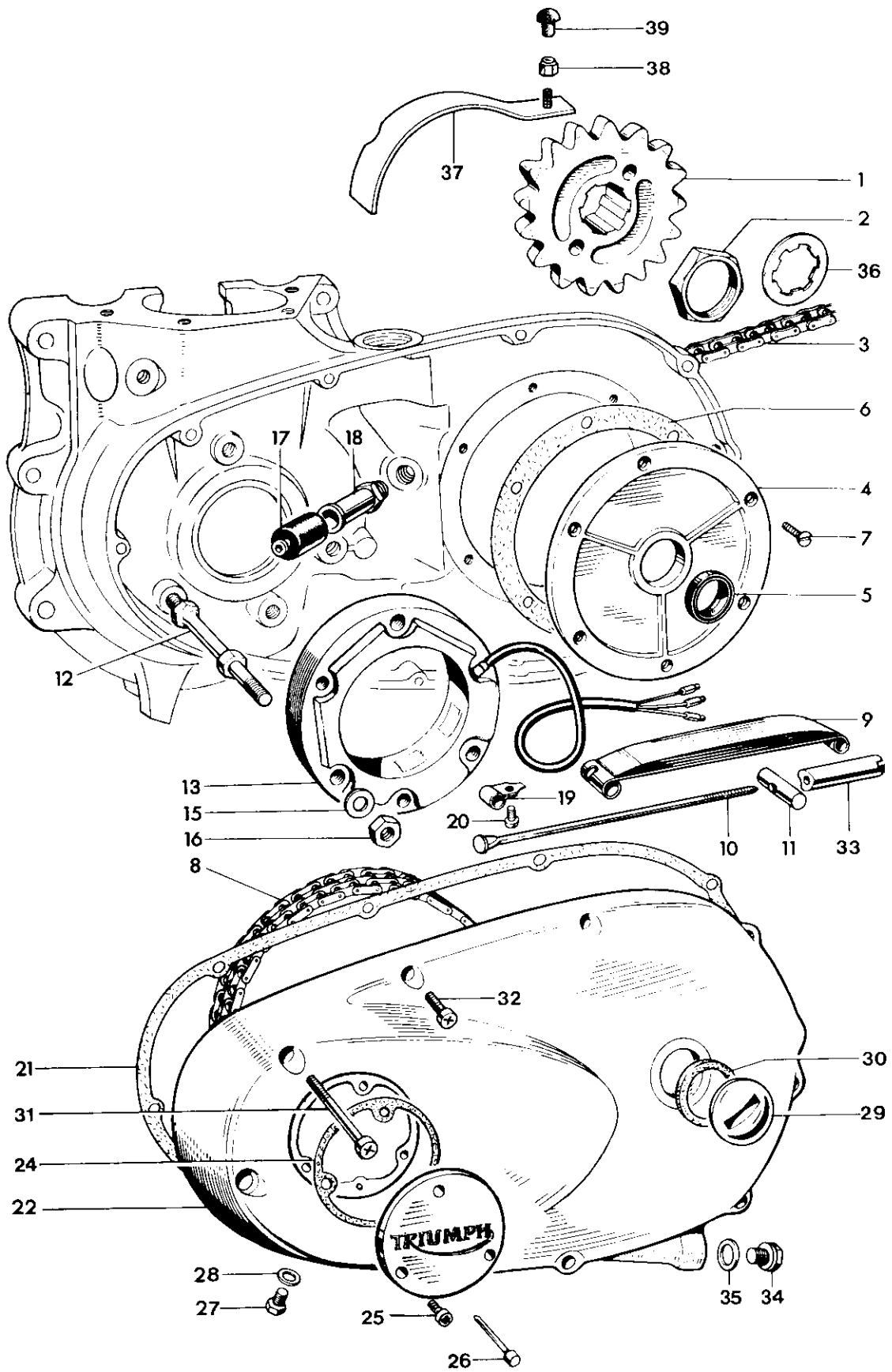


Fig. 12. CHAINCASE AND CHAINS

### CHAINCASE AND CHAINS

1	T1558	Gearbox sprocket (17 teeth) ...	1	T90
1	T1476	Gearbox sprocket (18 teeth) ...	1	T100S, T100C, T100T, T100R
1	T1476/19	Gearbox sprocket (19 teeth) ...	Available	
1	T1569	Gearbox sprocket (20 teeth) ...	Available	
2	T2536	Gearbox sprocket nut	1	
3	D444	Rear chain, $\frac{5}{8}$ in. x $\frac{3}{8}$ in. x 102L	1	
3	D481	Rear chain, $\frac{5}{8}$ in. x $\frac{3}{8}$ in. x 103L	1	
4	E7037	Cover plate	1	
5	E7565	Oil seal	1	
6	E3832	Joint washer	1	
7	E3821	Countersunk screw ( $\frac{5}{16}$ in. U.H.)	6	
8	D358	Primary chain, $\frac{3}{8}$ in. Duplex 78L	1	
9	E6283	Chain tensioner blade	1	
10	E4152	Tie rod	1	
11	E4148	Trunnion	1	
12	E9495	Stud ( $3\frac{5}{16}$ in. O.A.)	3	
13	99-1006	Stator, RM 21 (47205)	1	
14	E1612	Serrated washer	1	
15	S25-3	Plain washer	3	
16	14-0702	Nut	3	
17	E4144	Rubber grommet	2	
18	E8992	Sleeve nut	1	
19	E1509	Clip	1	
20	S1920	Setscrew ( $\frac{1}{4}$ in. U.H.)	1	
21	E4156	Joint washer	1	
22	E9249	Chaincase	1	
23	T2440	Rotor cover	1	
24	T2442	Joint washer	1	
25	14-6505	Screw	3	
26	T2537	Ignition pointer...	1	
27	14-6101	Level plug	1	
28	E2441	Copper washer	2	
29	T2166	Filler plug	1	
30	E8782	Fibre washer	1	
31	S1878	Screw ( $2\frac{3}{4}$ in. U.H.)	3	
32	14-6609	Screw ( $1\frac{5}{16}$ in. U.H.)	7	
33	E9703	Adjuster sleeve nut	1	
34	T2259	Drain plug	1	
35	T1738	Fibre washer	1	
36	T2056	Tab washer	1	
37	E7571	Crankcase protector	1	T100S, T100C, T100R, T100T
38	14-1301	Self-locking nut	1	
39	E7573	Grommet	1	

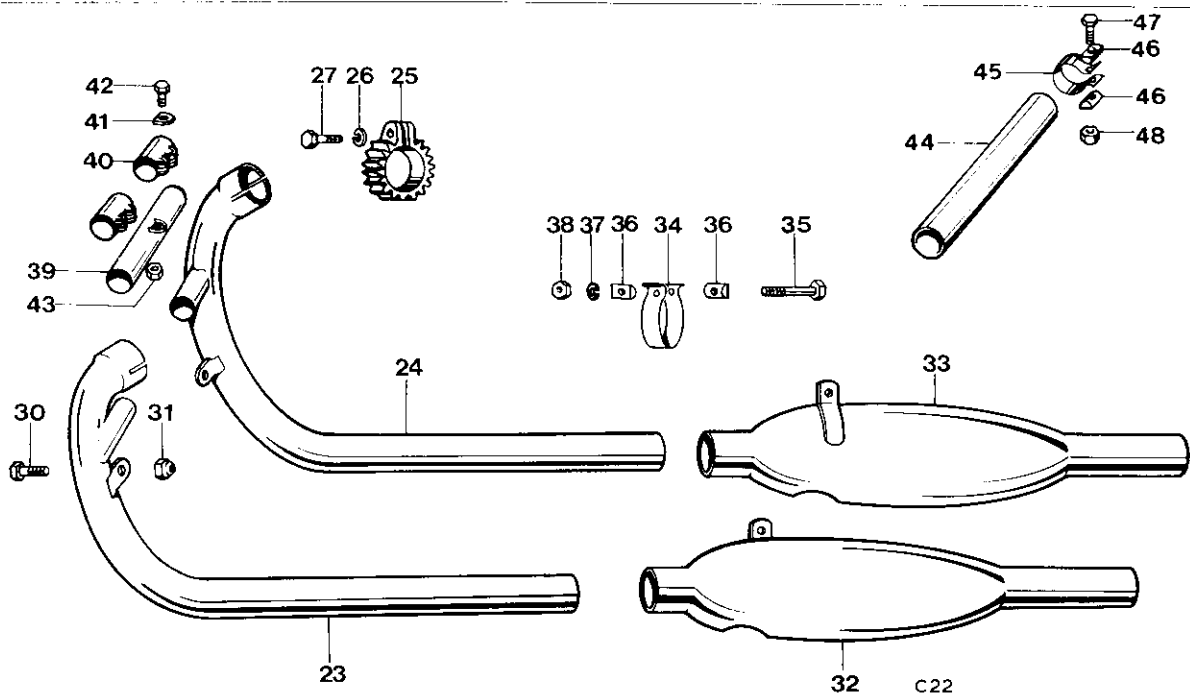
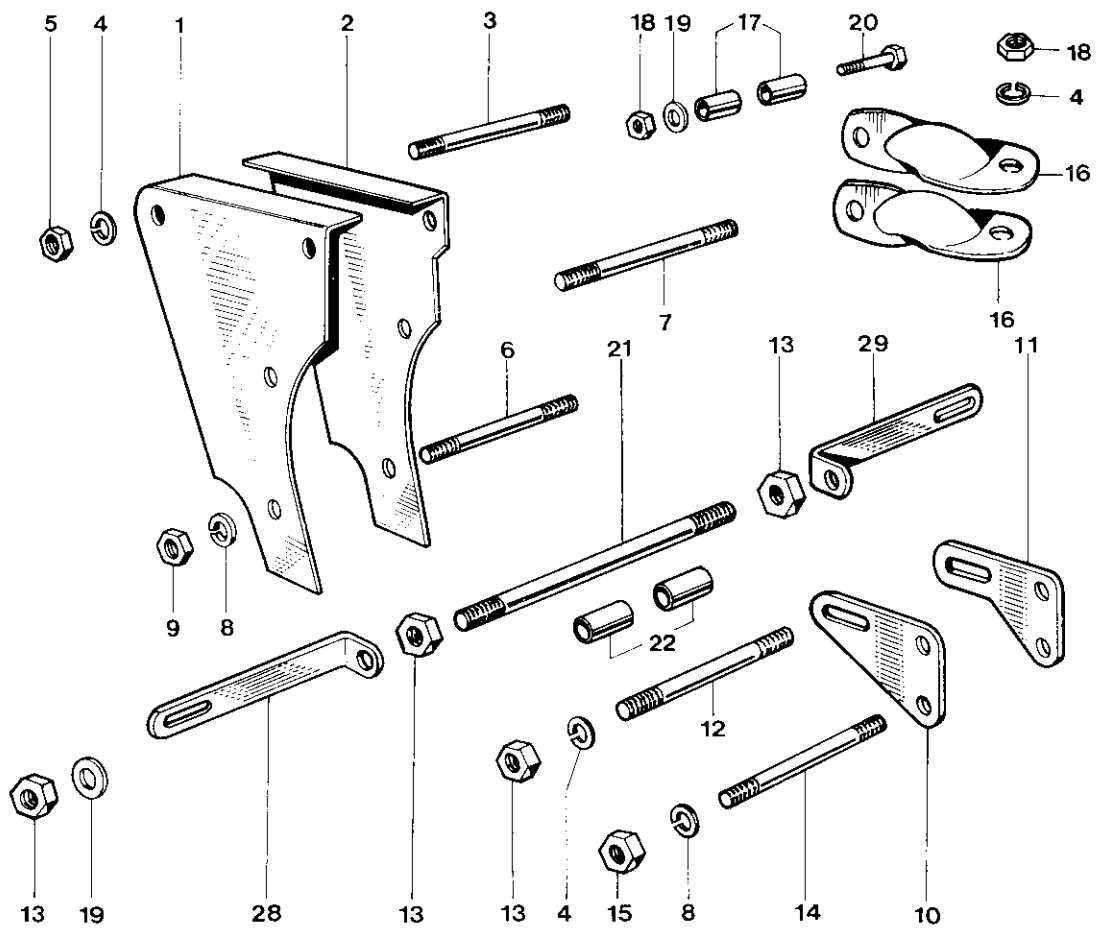


Fig. 13. ENGINE FITTINGS AND EXHAUST SYSTEM



## ENGINE FITTINGS AND EXHAUST SYSTEM

Ref. No.	Part No.	Description	Quantity	Remarks
1	F7333	Left front engine plate...	1	
2	F7334	Right front engine plate	1	
3	F9266	Stud ( $4\frac{3}{8}$ in. O.A.)	1	
4	S26-1	Spring washer	8	
5	PO172A	Nut	2	
6	E3804	Stud (3 in. O.A.)	2	(3 T100C)
7	E7645	Stud ( $\frac{5}{8}$ in. O.A.)	1	(Not T100C)
8	S26-3	Spring washer	8	
9	S1-51	Nut	3	
10	F4229	Left rear engine plate	1	
11	F4230	Right rear engine plate	1	
12	F3665	Stud ( $4\frac{1}{4}$ in. O.A.)	1	
13	PO172A	Nut	6	
14	E3695	Stud ( $4\frac{5}{16}$ in. O.A.)	2	
15	14-0302	Nut	5	
16	E4778	Torque stay	2	
17	E7119	Distance piece	1	
18	14-0302	Nut	2	
19	F5532	Plain washer	2	
20	14-0220	Bolt ( $1\frac{1}{16}$ in. U.H.)	1	
21	E3812	Stud ( $7\frac{3}{16}$ in. O.A.)	1	
22	F4197	Distance piece	2	
23	E9662	Left exhaust pipe	1	T100S, T100T, T100R
24	E9663	Right exhaust pipe	1	T100S, T100T, T100R
23	E7637	Left exhaust pipe	1	T90
24	E7638	Right exhaust pipe	1	T90
25	E4947	Finned clip	2	
26	E410A	Hemispherical washer	2	
27	E409	Bolt ( $1\frac{3}{16}$ in. U.H.)	2	
28	E7641	Left bracket	1	
29	E7642	Right bracket	1	
30	E6179	Bolt ( $\frac{5}{8}$ in. U.H.)	2	
31	E7471	Self-lock nut	2	
32	E4157	Left silencer (muffler)	1	} T100R, T100T, T100S, T90
33	E4158	Right silencer (muffler)	1	
34	E2271	Clip	2	
35	14-0219	Bolt ( $1\frac{3}{4}$ in. U.H.)	2	
36	E3768	"D" washer	4	
37	S26-3	Spring washer	2	
38	S1908	Nut	2	
39	E9368	Coupling pipe	1	
40	E9627	Clip assembly	2	
41	E9626	Cap	8	
42	14-0204	Bolt	4	
43	14-0301	Nut	4	
44	E9888	Coupling pipe	1	} Alternative parts used on later models
45	E7512	Clip	2	
46	E3768	"D" washers	4	
47	14.0219	Bolt	2	
48	14.0302	Nut	2	

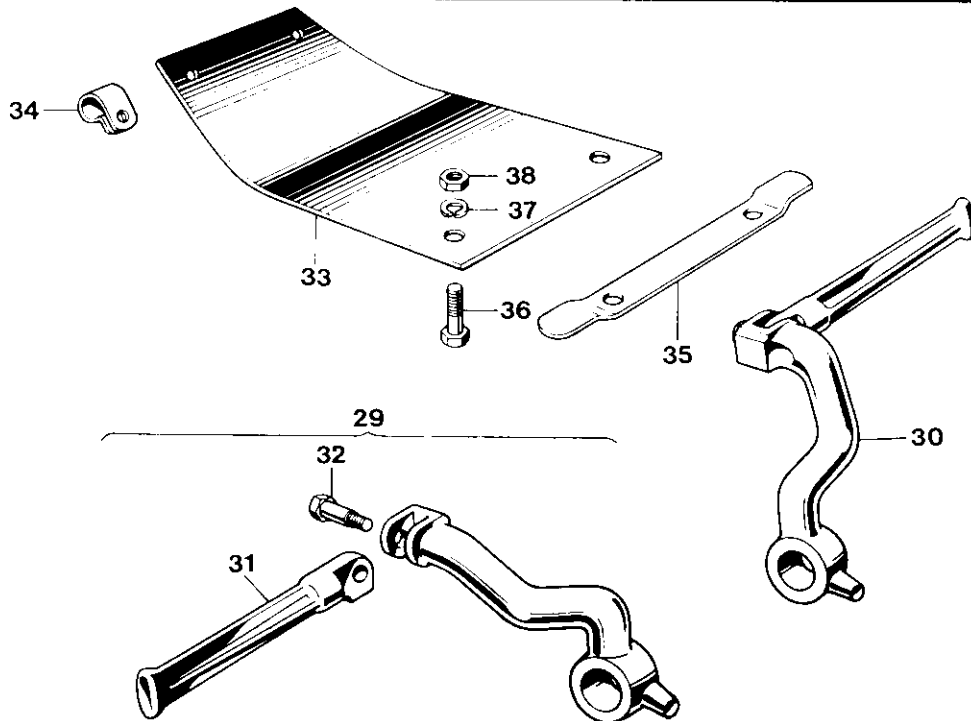
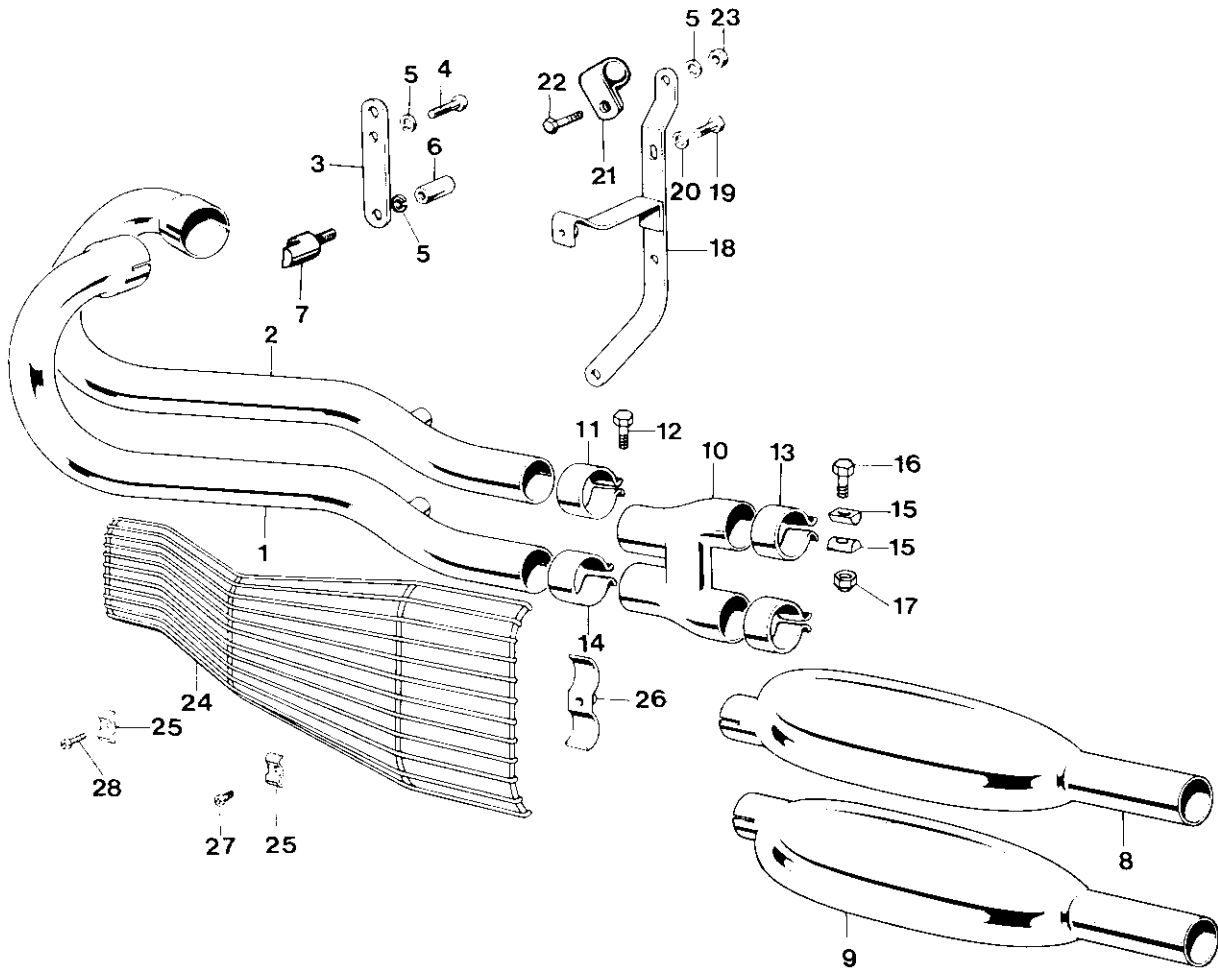


Fig. 14. EXHAUST PIPES, UNDERSHIELD AND FOOTPEGS (T100C)

**EXHAUST PIPES, UNDERSHIELD AND FOOTPEG (T100C)**

1	E10019	Exhaust pipe D.S. lower	...	...	...	...	...	1	
2	E10017	Exhaust pipe T.S. upper	...	...	...	...	...	1	
3	E6981	Stay	...	...	...	...	...	1	
4	14-0114	Bolt ( $\frac{3}{8}$ in. U.H.)	...	...	...	...	...	2	
5	S26-3	Washer	...	...	...	...	...	3	
6	14-0302	Nut	...	...	...	...	...	1	
7	F7705	Abutment	...	...	...	...	...	1	
8	E9669	Silencer upper	...	...	...	...	...	1	
9	E9670	Silencer lower	...	...	...	...	...	1	
10	E9673	Connector	...	...	...	...	...	1	
11	E7299	Clip	...	...	...	...	...	1	
12	14-0116	Bolt	...	...	...	...	...	1	
13	E2271	Clip	...	...	...	...	...	2	
14	E5874	Clip	...	...	...	...	...	1	
15	E3768	"D" washer	...	...	...	...	...	6	
16	14-0219	Bolt	...	...	...	...	...	3	
17	S1908	Nut	...	...	...	...	...	3	
18	E9691	Bracket (silencer to frame)	...	...	...	...	...	1	
19	F929	Bolt	...	...	...	...	...	1	
20	S26-3	Spring washer	...	...	...	...	...	2	
21	F7550	Clip, bracket to frame	...	...	...	...	...	1	
22	14-0114	Bolt, clip to bracket ( $\frac{3}{8}$ in. U.H.)	...	...	...	...	...	1	
23	14-0302	Nut	...	...	...	...	...	1	
24	E9680	Leg guard	...	...	...	...	...	1	
25	E9688	Clip	...	...	...	...	...	2	
26	E9696	Bracket	...	...	...	...	...	1	
27	S1954	Short screw	...	...	...	...	...	1	
28	S1953	Long screw ( $1\frac{3}{4}$ in. U.H.)	...	...	...	...	...	1	
29	F7018	LEFT FOLDING FOOTPEG	...	...	...	...	...	1	
30	F7019	RIGHT FOLDING FOOTPEG	...	...	...	...	...	1	
31	F6411	Pedal	...	...	...	...	...	2	
32	F6655	Pivot bolt	...	...	...	...	...	2	
33	F7390	Undershield	...	...	...	...	...	1	
34	F1700	Clip, undershield	...	...	...	...	...	2	
35	F3078	Bracket	...	...	...	...	...	1	
36	14-0102	Bolt ( $\frac{5}{8}$ in. U.H.)	...	...	...	...	...	4	
37	S16-2	Washer	...	...	...	...	...	4	
38	14-0301	Nut	...	...	...	...	...	4	
—	E9857	Washer (for lines 27 and 28)	...	...	...	...	...	2	Not illustrated

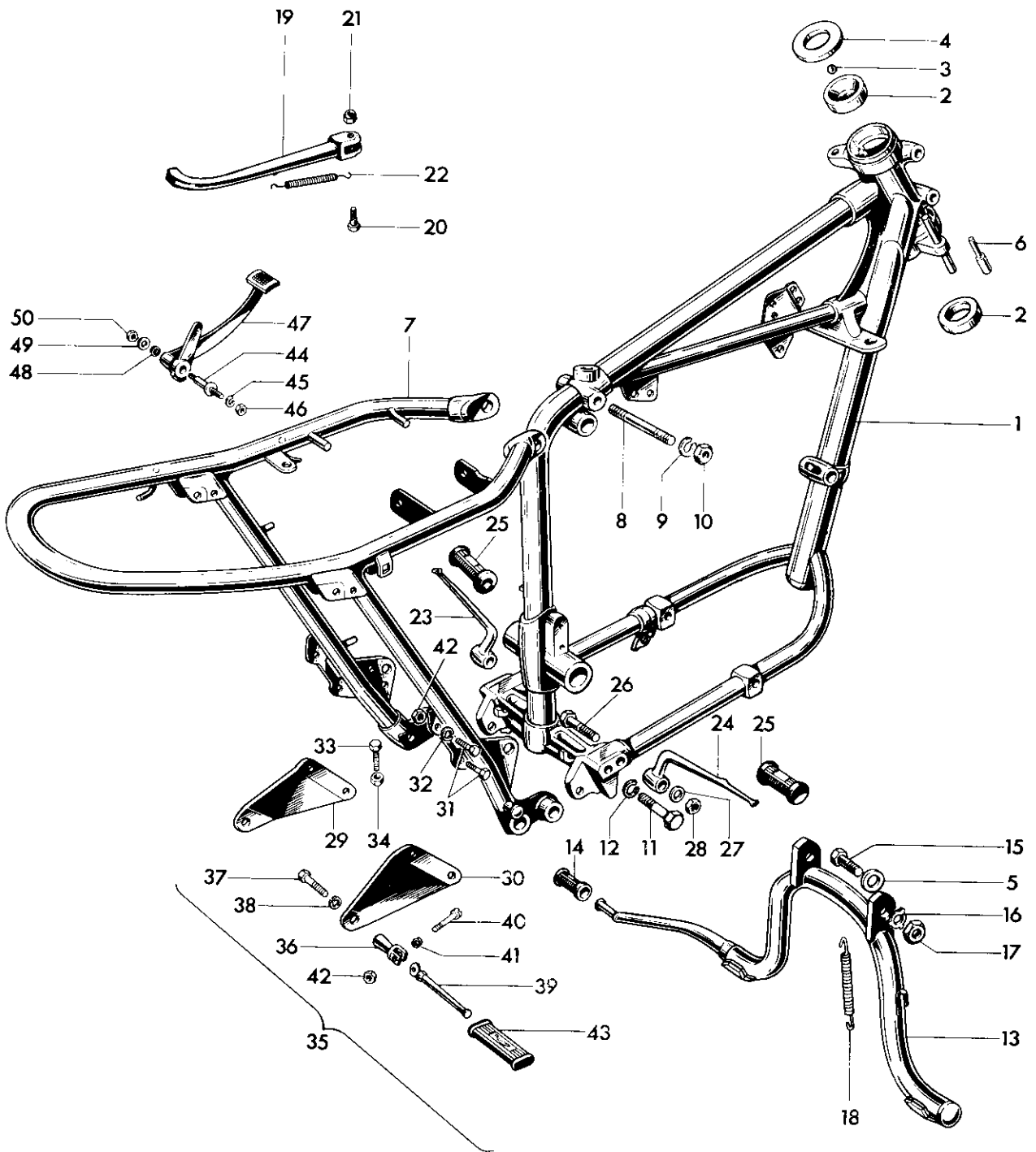


Fig. 15. FRAME

## FRAME

Ref. No.	Part No.	Description	Quantity	Remarks
1	F10034	Front frame ... ..	1	
2	H111	Steering race cup ... ..	2	
3	S70-3	Steel ball ( $\frac{1}{4}$ in. dia.) ... ..	40	
4	H1018	Top cone and dust cover ... ..	1	
5	F5679	Washer ... ..	2	
6	F7155	Steering stops ... ..	2	
7	F8038	Rear frame ... ..	1	
8	S1801	Stud ( $3\frac{7}{8}$ in. O.A.) ... ..	1	
9	S26-1	Spring washer ... ..	2	
10	14-0303	Nut ... ..	2	
11	14-0115	Bolt ... ..	2	
12	PCW73A	Spring washer ... ..	2	
13	F7693	Centre stand ... ..	1	T100R
13	F7692	Centre stand ... ..	1	
14	T2331	Pedal rubber ... ..	1	
15	F5678	Pivot bolt ... ..	2	
16	F4484	Tab washer ... ..	2	
17	F2725	Nut ... ..	2	
18	F3617	Return spring ... ..	1	
19	F7849	Prop stand ... ..	1	
20	F7021	Pivot bolt ... ..	1	
21	14-0703	Self-locking nut ... ..	1	
22	F8382	Return spring ... ..	1	
23	F4214	Left footrest ... ..	1	
24	F4215	Right footrest ... ..	1	
25	NF704	Pedal rubber ... ..	2	
26	14-0251	Bolt ( $2\frac{1}{16}$ in. U.H.) ... ..	2	
27	F4370	Plain washer ... ..	2	
28	14-0304	Nut ... ..	2	
29	F5087	Left pillion footrest support ... ..	1	
30	F5088	Right pillion footrest support ... ..	1	
31	14-0115	Bolt ( $\frac{5}{32}$ in. U.H.) ... ..	4	
32	S26-3	Spring washer ... ..	4	
33	F7705	Pedal stop screw ... ..	1	
34	14-0302	Nut ... ..	2	
35	F9369	PILLION FOOTREST ... ..	2	
36	F9370	Footrest hanger ... ..	2	
37	S1910	Bolt ( $\frac{13}{16}$ in. U.H.) ... ..	2	
38	S26-1	Spring washer ... ..	2	
39	F1694	Pedal ... ..	2	
40	F9371	Pivot bolt ... ..	2	
41	F2277	Spring washer ... ..	2	
42	14-0302	Nut ... ..	6	
43	F1695	Pedal rubber ... ..	2	
44	F7706	Brake pedal spindle ... ..	1	
45	SCZ45	Spring washer ... ..	1	
46	14-0405	Nut ... ..	1	
47	F7703	Brake pedal ... ..	1	
48	S26-16	Spring washer ... ..	1	
49	S25-2	Plain washer ... ..	1	
50	14-0403	Nut ... ..	1	

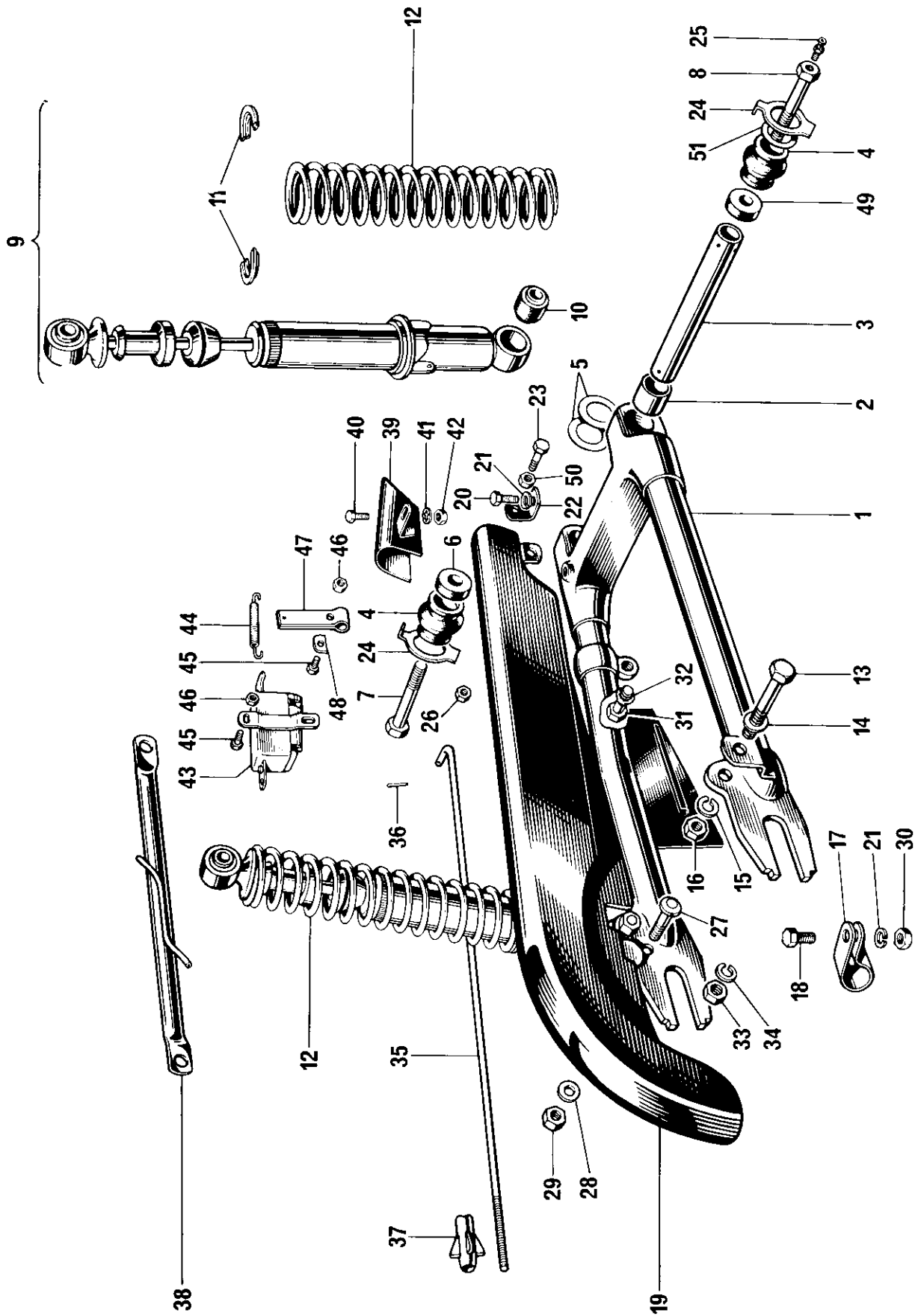


Fig. 16. SWINGING FORK, SUSPENSION UNITS AND CHAINGUARD

**SWINGING FORK, SUSPENSION UNITS AND CHAINGUARD**

Ref. No.	Part No.	DESCRIPTION	QUANTITY	REMARKS
1	F7375	SWINGING FORK	1	
2	F4076	Pivot bush	2	
3	F7342	Spindle	1	
4	F7270	Gaiter	2	
5	F4385	Shim 0.003 in.	As required	
5	F4386	Shim 0.005 in.	As required	
6	F10037	Left distance piece	1	
7	S579	Left bolt	1	
8	S580	Right bolt	1	
9	D2023	SUSPENSION UNIT (64052106)	2	T90, T100S, T100T
9	D2024	SUSPENSION UNIT (64052107)	2	T100C, T100R
10	99-0122	Bonded bush (64533645)	4	
11	99-0107	Spring retainer (9054/171)	4	
12	99-1047	Spring, 145 lbs. chrome (64544234)	2	T90, T100S, T100T
12	99-1048	Spring, 100 lbs. chrome (64543708)	2	T100C, T100R
13	14-0235	Unit fixing bolt (1 $\frac{1}{8}$ in. U.H.)	4	
14	F2184	Plain washer	2	
15	S26-1	Spring washer	2	
16	14-0303	Nut	2	
17	F3808	Clip	1	
18	14-0102	Bolt	1	
19	F9753	Chainguard	1	
20	DS57	Bolt ( $\frac{7}{16}$ in. U.H.)	1	
21	S26-2	Spring washer	2	
22	F4134	Front bracket	1	
23	14-0113	Bolt ( $\frac{9}{16}$ in. U.H.)	1	
24	F7343	Tab washer	2	
25	NW100	Lubricator	1	
26	14-0702	Self-locking nut	1	
27	F9387	Stepped bolt	1	
28	S25-3	Plain washer	1	
29	14-0302	Nut	1	
30	14-0401	Nut U.N.	1	
31	S581	Bolt	1	
32	E2288	Serrated washer	1	
33	DS47	Nut	1	
34	PCW73A	Spring washer	1	
35	W3450	Brake operating rod	1	
36	$\frac{1}{8}$ in. x $\frac{1}{2}$ in.	Split pin	1	
37	F7387	Adjuster nut	1	
38	F7290	Brake torque stay	1	
39	F6046	Front chainguard	1	
40	DS57	Bolt	1	
41	E1612	Serrated washer	1	
42	14-0301	Nut U.N.	1	
43	99-0725	Stop lamp switch (54033234)	1	
44	F3158	Spring (315738)	1	
45	T1076	Bolt ( $\frac{3}{8}$ in. U.H.)	3	
46	F4717	Self-locking nut	5	
47	F5142	Lever	1	
48	F5413	"D" washer	1	
49	F7774	Right distance piece	1	
50	14-0702	Nut	1	
51	F4078	Thrust washer	1	

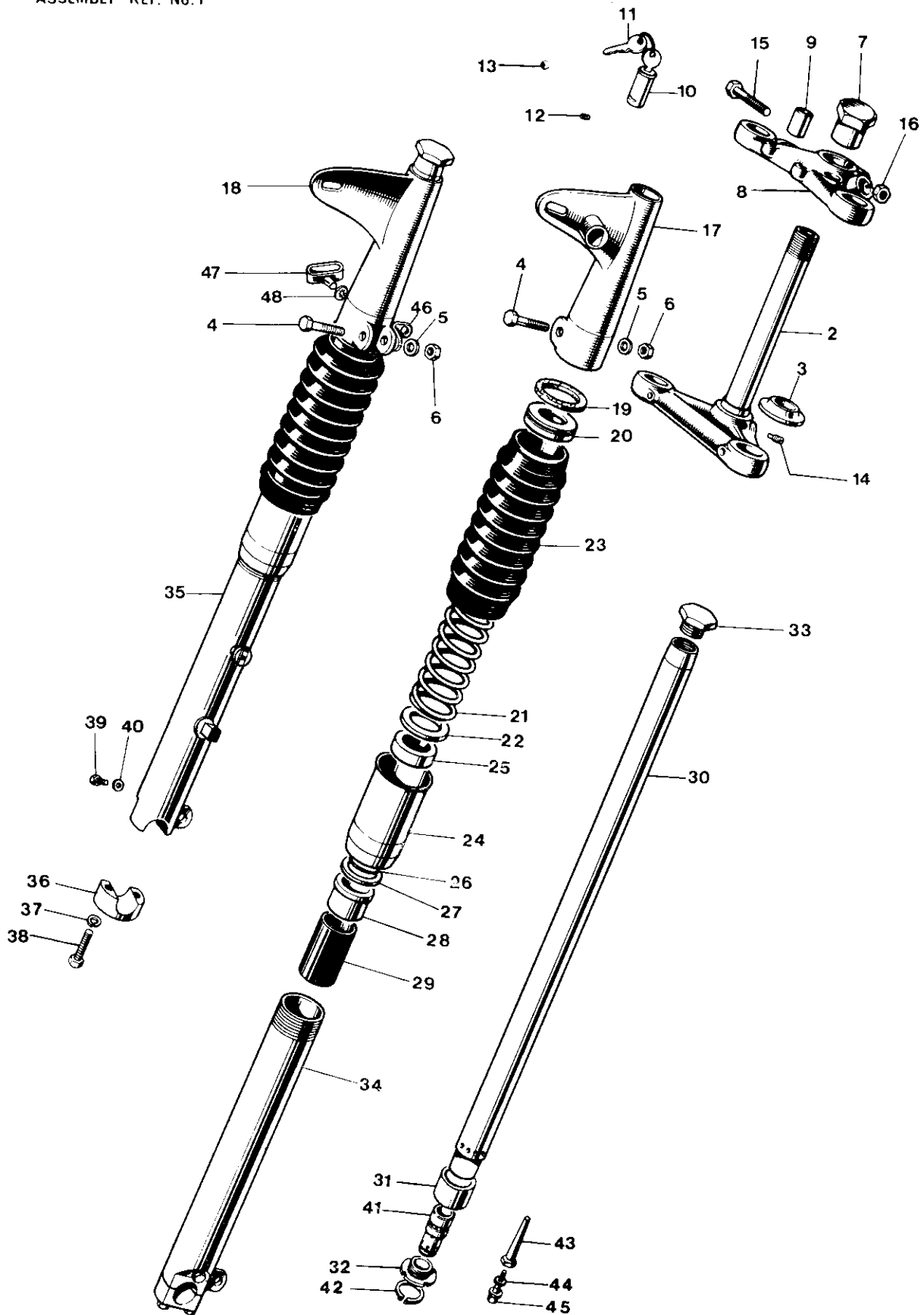


Fig. 17. TELESCOPIC FRONT FORK



## TELESCOPIC FRONT FORK T90, T100S, T100T

Ref. No.	Part No.	Description	Quantity	Remarks
1	H3656	FORK ASSEMBLY	1	
2	H3659	Middle lug and stem	1	
3	H439	Bottom cone	1	
4	H3290	Pinch bolt (2 $\frac{1}{4}$ in. U.H.)	2	
5	S25-2	Plain washer	2	
6	14.1303	Cleveloc nut	2	
7	H2108	Fork stem sleeve nut	1	
8	H3667	Top lug	2	
9	H1527	Bonded bush	2	
10	F6738	Lock c/w 2 keys	1	
11	D623	Key (state serial number)	1	Key no's run from EJR 1 to EJR 50
12	S578	Grub screw	1	
13	H2266	Sealing washer	1	
14	H2107	Locating pin	1	
15	S684	Pinch bolt (1 $\frac{5}{8}$ in. U.H.)	1	
16	S685	Seated nut	1	
17	H2161	Left top cover	1	
18	H2162	Right top cover	1	
19	F4047	Cork washer	2	
20	H1657	Spring abutment	2	
21	H1891	Main spring (Yellow/Blue)	2	
22	H1656	Plain washer	2	
23	H3635	Telescopic gaiter	2	
24	H3633	DUST EXCLUDER SLEEVE NUT	2	
25	H1500	Oil seal	2	
26	H2119	"O" ring	2	
27	H431	Plain washer	2	
28	H441	Top bearing	2	
29	H1896	Damping sleeve	2	
30	H2092	STANCHION	2	
31	H443	Lower bearing	2	
32	H2091	Bearing nut	2	
33	H2245	Cap nut	2	
34	H2294	LEFT BOTTOM MEMBER c/w CAP	1	
35	H2295	RIGHT BOTTOM MEMBER c/w CAP	1	
36	H1844	Spindle cap	2	
37	S26-3	Spring washer	4	
38	14.0218	Cap bolt (1 $\frac{9}{16}$ in. U.H.)	4	
39	H519	Drain plug	2	
40	H430	Sealing washer	2	
41	H2154	Shuttle valve	2	
42	H2127	Circlip	2	
43	H2090	Restrictor	2	
44	H1062	Aluminium washer	2	
45	H2126	Flanged bolt	2	
46	H3682	Bracket	1	
47	H2270	Cable retainer	1	
48	F8245	Starlock washer	1	

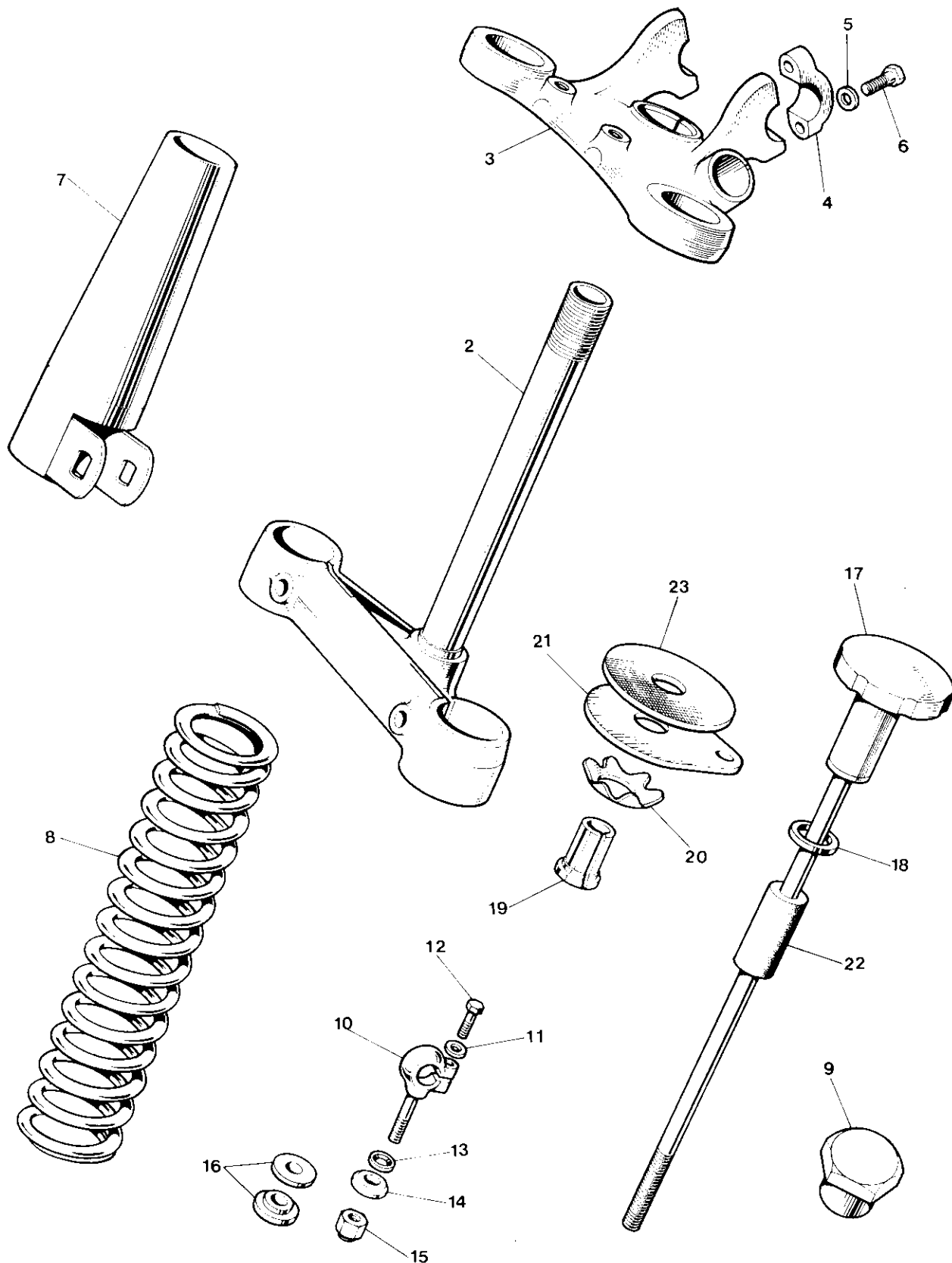


Fig. 18. T100C AND T100R FORK PARTS AND STEERING DAMPER

**T100C AND T100R FORK PARTS AND STEERING DAMPER**

1	H3679	FORK ASSEMBLY	...	...	...	...	...	1	T100R
1	H3657	FORK ASSEMBLY	...	...	...	...	...	1	T100C
2	H2288	Middle lug and stem	...	...	...	...	...	1	
3	H3662	Top lug	...	...	...	...	...	1	
4	H722	Cap	...	...	...	...	...	2	
5	S25-3	Plain washer	...	...	...	...	...	4	
6	S589	Bolt (1 $\frac{1}{8}$ in. U.H.)	...	...	...	...	...	4	
7	H1696	Top cover	...	...	...	...	...	As required if headlamp removed	
8	H1892	Main spring (yellow green)	...	...	...	...	...	2	
9	H2263	Fork stem sleeve nut (blind)	...	...	...	...	...	1	T100R only

All other parts are as listed on Page 51

**HANDLEBAR MOUNTINGS**

10	H2291	Handlebar eyebolt	...	...	...	...	...	2	} T90, T100S, T100T
11	F1335	Plain washer	...	...	...	...	...	2	
12	H1340	Bolt (1 $\frac{1}{8}$ in. U.H.)	...	...	...	...	...	2	
13	H1708	Washer	...	...	...	...	...	2	
14	H1529	Hemispherical washer	...	...	...	...	...	2	
15	14-1903	Self-locking nut	...	...	...	...	...	2	} As required
16	H1616	Solid bush (for handlebar-mounted windscreen)	...	...	...	...	...	As required	

**STEERING DAMPER (NOT T100R)**

17	H1142	Steering damper rod c/w knob	...	...	...	...	...	1
18	H565	Plain washer	...	...	...	...	...	1
19	H408	Adjuster sleeve	...	...	...	...	...	1
20	H95	Spring plate	...	...	...	...	...	1
21	H1797	Anchor plate	...	...	...	...	...	1
22	H1618	Rubber sleeve	...	...	...	...	...	1
23	H435	Friction disc	...	...	...	...	...	1

Front wheel complete No 1

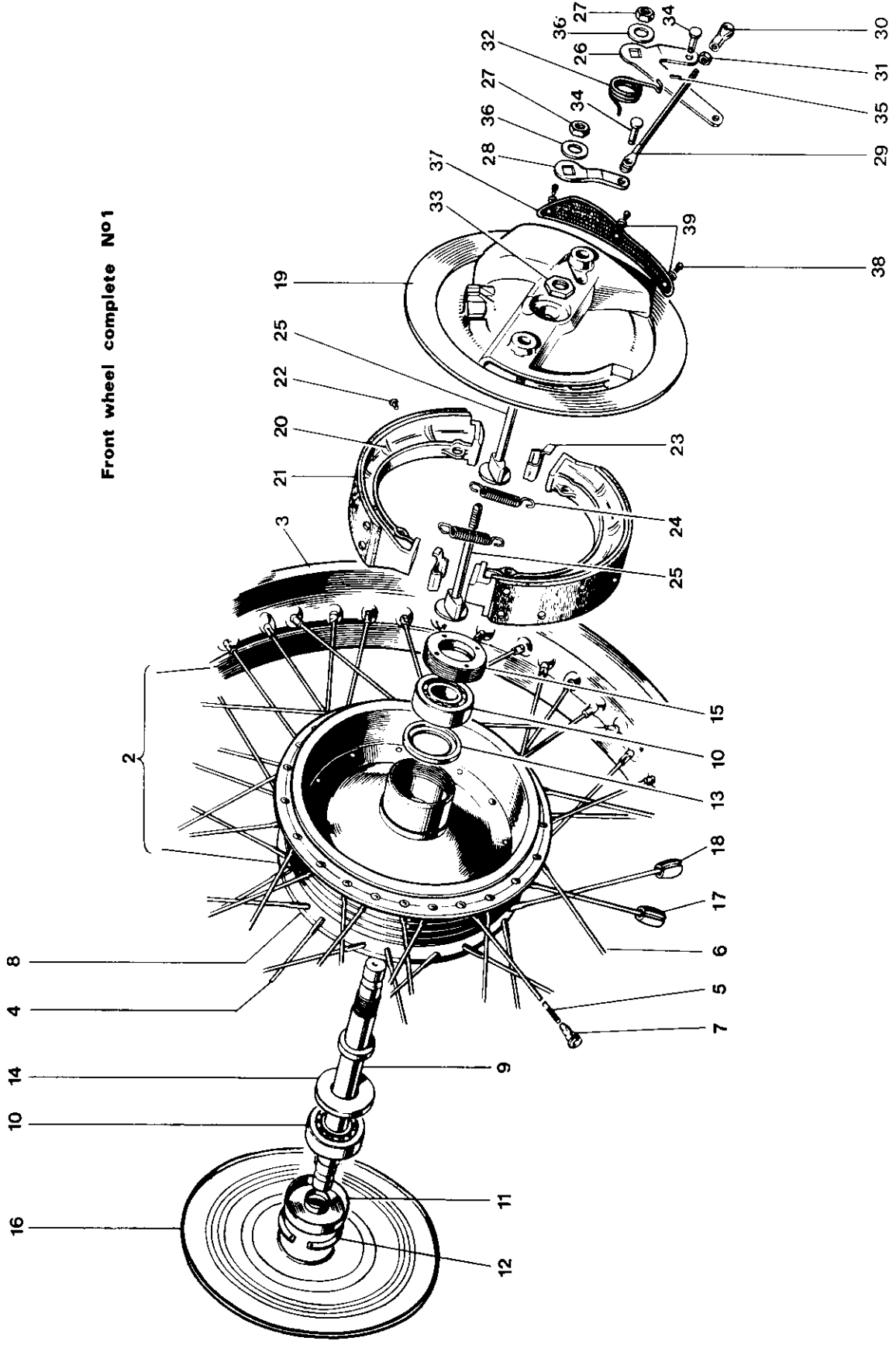


Fig. 19. FRONT WHEEL T100T, T100R

## FRONT WHEEL T100T, T100R

Ref. No.	Part No.	Description	Quantity	Remarks
1	W3458	FRONT WHEEL COMPLETE	1	
2	W1721	RIM, SPOKES AND HUB ASSEMBLY	1	
3	W1230	Front wheel rim (WM2-19)	1	
4	W1328	Spoke (8/10G x 5 $\frac{5}{8}$ in. straight) c/w nipple	20	
5	W1708	Spoke (8/10G x 4 $\frac{3}{4}$ in. 78°) c/w nipple	10	
6	W1709	Spoke (8/10G x 4 $\frac{7}{8}$ in. 100°) c/w nipple	10	
7	S79-2	Spoke nipple	40	
8	W1722	Hub and brake drum	1	
9	W2057	Wheel spindle	1	
10	W653	Bearing	2	
11	W1237	Dust cover	1	
12	T280	Circlip	1	
13	W3337	Bearing support ring	1	
14	W1481	Grease retainer	1	
15	W582	Retaining ring	1	
16	W3460	Cover plate	1	
17	W1197	Balance weight, $\frac{1}{2}$ oz.	As required	
18	W1198	Balance weight, 1 oz.	As required	
19	W3462	Brake anchor plate	1	
20	W1996	BRAKE SHOE c/w LINING	2	
21	Reference only	Brake lining	2	
22	Reference only	Brass rivet	16	
23	W2026	Abutment pad	2	
24	W135	Shoe return spring	2	
25	W2001	Brake cam	2	
26	W3453	Brake cam lever (front)	1	
27	14-0302	Nut	2	
28	W3454	Brake cam lever (rear)	1	
29	W2003	Rod assembly	1	
30	W2005	Fork end, threaded	1	
31	14-0401	Locknut	1	
32	W3522	Lever return spring	1	
33	W2058	Anchor plate nut	1	
34	WF32	Pivot pin	2	
35	D2683	Split pin $\frac{1}{8}$ in. diam. x $\frac{3}{8}$ in. long	2	
36	W2027	Plain washer	2	
37	W1991	Anchor plate gauze (for air scoop)	1	
38	S650	Taptite screw	3	
39	F2351	Washer for taptite screws	3	

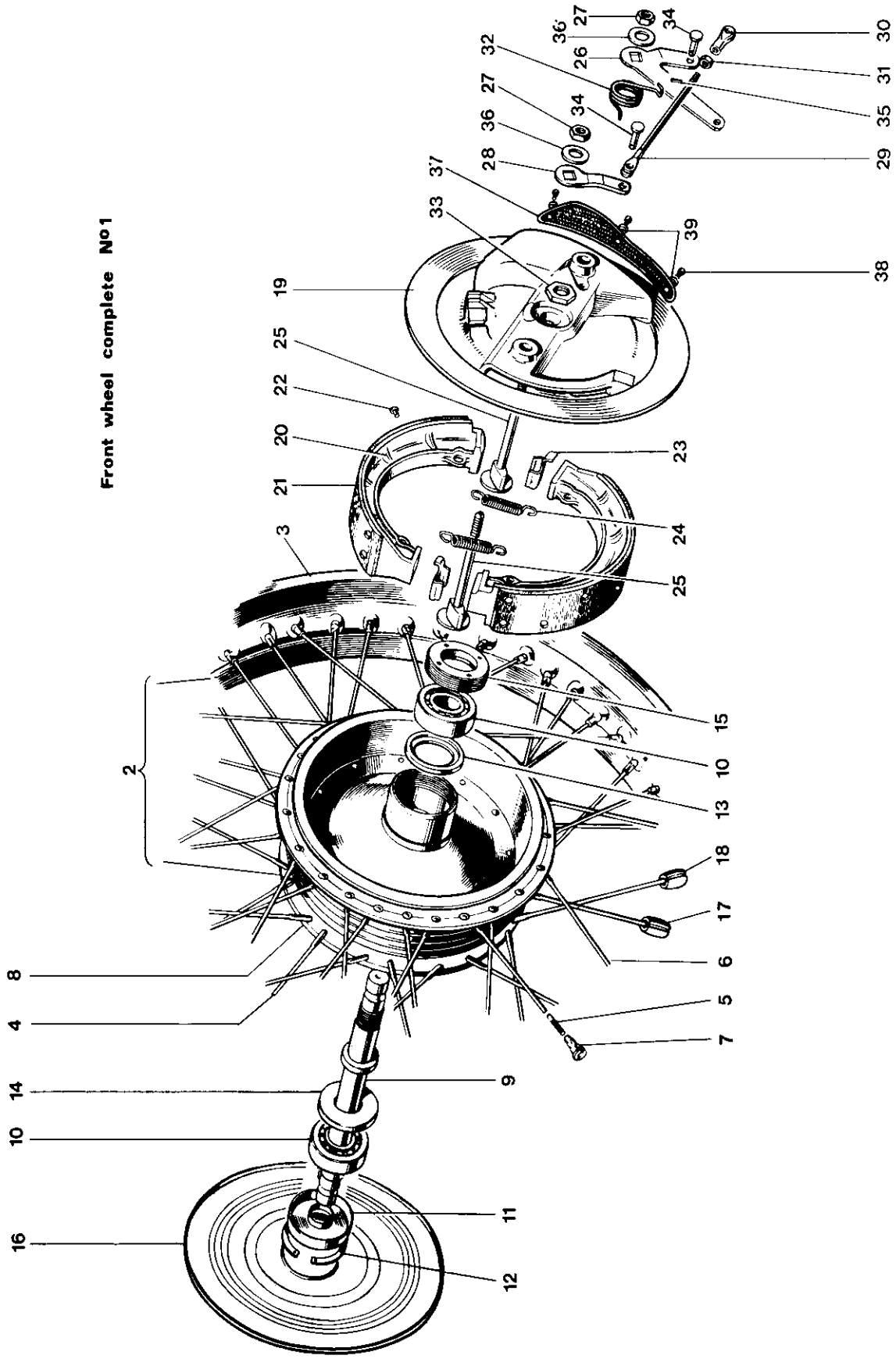


Fig. 20. FRONT WHEEL T100C, T100S, T90

**FRONT WHEEL (T100C, T100S, T90)**

Ref. No.	Part No.	Description	Quantity	Remarks
1	W3430	FRONT WHEEL COMPLETE	1	T100C
1	W3439	FRONT WHEEL COMPLETE	1	T90, T100S
2	W2132	RIM SPOKES AND HUB ASSEMBLY	1	T100C
2	W2131	RIM SPOKES AND HUB ASSEMBLY	1	T90, T100S
3	W1230	Front wheel rim (WM2-19)	1	T100C
3	W1373	Front wheel rim (WM2-18)	1	T90, T100S
4	W2133	Spoke D.S.	20	} T90, T100S
5	W2134	Spoke T.S.	10	
6	W2135	Spoke T.S.	10	
4	W2137	Spoke D.S.	20	} T100C
5	W2138	Spoke T.S.	10	
6	W2139	Spoke T.S.	10	
7	W2136	Spoke nipple	40	
8	W3325	Hub and brake drum	1	
9	W2057	Wheel spindle	1	
10	W653	Wheel bearing	2	
11	W1237	Dust cover	1	
12	T280	Circlip	1	
13	W3337	Bearing support ring	1	
14	W1181	Grease retainer	1	
15	W582	Retaining ring	1	
16	W3443	Cover plate	1	
17	W1197	Balance weight $\frac{1}{2}$ oz.	As required	
18	W1198	Balance weight 1 oz.	As required	
19	W3429	Brake anchor plate	1	
20	W3466	BRAKE SHOE c/w LINING	1	
21	Reference only	Brake lining	2	
22	Reference only	Brass rivet	16	
23	W2026	Thrust pad	2	
24	W135	Shoe return spring	2	
25	W2001	Brake cam	1	
26	W3453	Brake cam lever (front)	1	
27	14-0302	Nut	2	
28	W3454	Brake cam lever (rear)	1	
29	W2003	Rod assembly	1	
30	W2005	Fork end, threaded	1	
31	14-0401	Locknut	1	
32	W3522	Lever return spring	1	
33	W2058	Anchor plate nut	1	
34	WF32	Pivot pin	2	
35	D2683	Split pin $\frac{1}{16}$ in. diam. x $\frac{3}{8}$ in. long	2	
36	W2027	Plain washer	2	
37	W1991	Anchor plate gauze (for air scoop)	1	
38	S650	Taptite screw	3	
39	F2351	Washer for taptite screws	3	

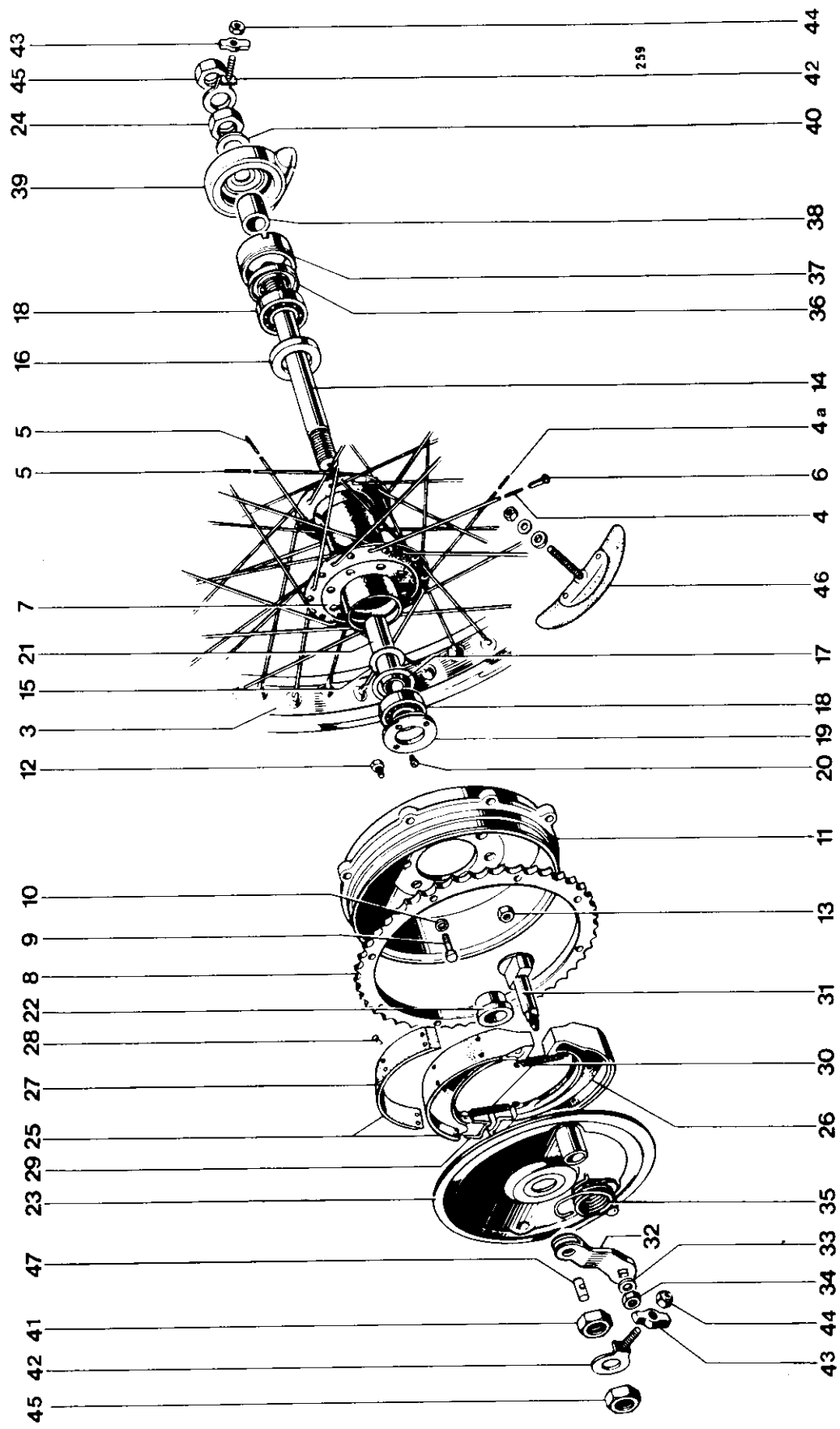
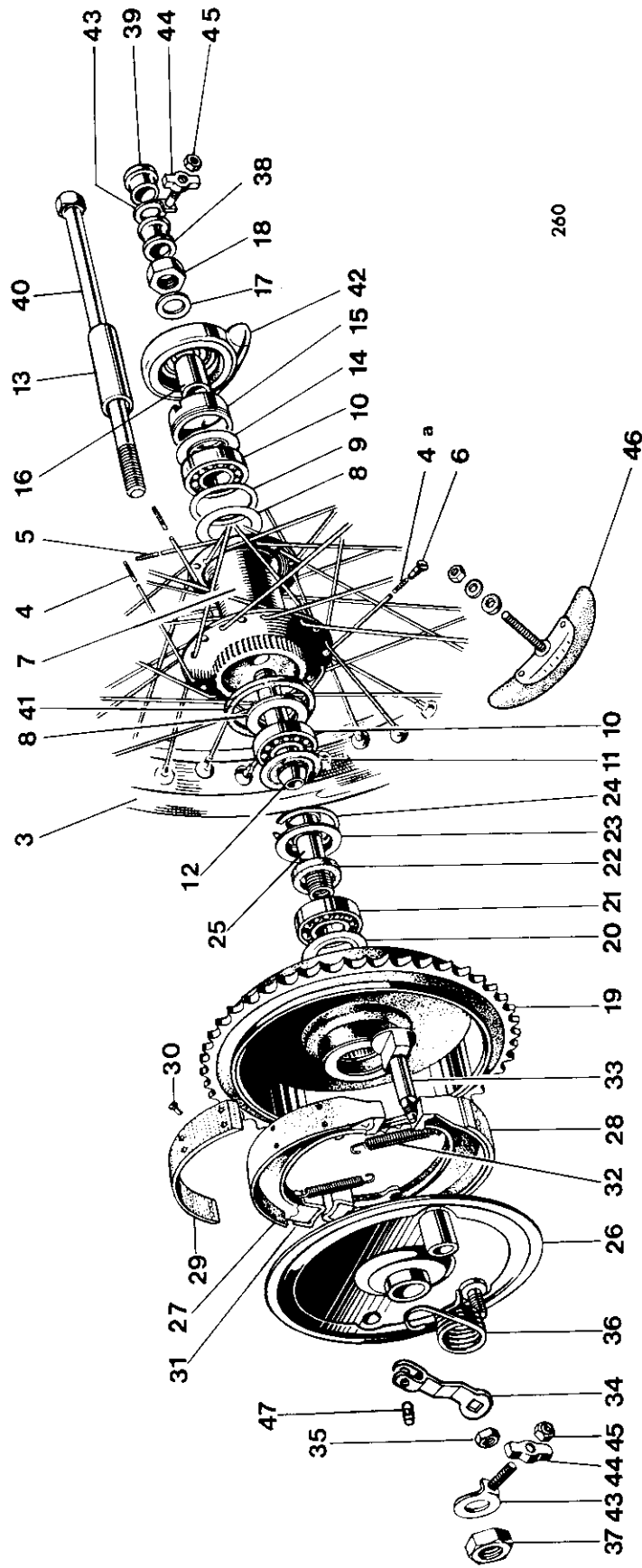


Fig. 21. REAR WHEEL



**REAR WHEEL**

1	W1741	REAR WHEEL COMPLETE ... ..	1	
1	W1742	REAR WHEEL COMPLETE ... ..	1	T100R, T100C
2	W1470	RIM, SPOKES AND HUB ASSEMBLY ... ..	1	
2	W1486	RIM, SPOKES AND HUB ASSEMBLY ... ..	1	T100R, T100C
3	W1471	Rear wheel rim WM2-18 ... ..	1	
3	W1007	Rear wheel rim WM3-18 ... ..	1	T100R, T100C
4	W1107	Spoke (8/10G x 7 $\frac{9}{16}$ in. 90°) ... ..	10	
4A	W3402	Spoke (8/10G x 7 $\frac{9}{16}$ in. 110°) ... ..	10	
5	W1108	Spoke (8/10G x 7 $\frac{7}{8}$ in. 90°) ... ..	20	
6	S79-2	Spoke nipple ... ..	40	
7	W1472	Hub ... ..	1	
8	W1499	Sprocket, 46T ... ..	1	
9	W1500	Bolt ... ..	8	
10	E1612	Serrated washer ... ..	8	
11	W1498	Brake drum ... ..	1	
12	W1690	Bolt ( $\frac{11}{16}$ in. U.H.) ... ..	8	
13	W1691	Self-locking nut ... ..	8	
14	W1281	Wheel spindle ... ..	1	
15	W1474	Grease retainer (brake side) ... ..	1	
16	W1654	Grease retainer ... ..	1	
17	W1022	Backing ring ... ..	1	
18	W653	Bearing ... ..	2	
19	W1021	RETAINING RING ... ..	1	
20	W1710	Locking screw ( $\frac{5}{16}$ in. U.H.) ... ..	1	
21	W1278	Distance tube ... ..	1	
22	W1024	Distance piece ... ..	1	
23	W1112	Brake anchor plate ... ..	1	
24	W3426	Nut ... ..	1	
25	W1406	LEADING BRAKE SHOE C/W LINING ... ..	1	
26	W1407	TRAILING BRAKE SHOE C/W LINING ... ..	1	
27	Reference only	Brake lining ... ..	2	
28	Reference only	Brass rivet ... ..	16	
29	W1415	Thrust pad ... ..	2	
30	W135	Shoe return spring ... ..	2	
31	W1083	Brake cam ... ..	1	
32	W2014	Brake cam lever ... ..	1	
33	S25-6	Plain washer ... ..	1	
34	S1-52	Nut ... ..	1	
35	W1488	Lever return spring ... ..	1	
36	W1635	Grease retainer ... ..	1	
37	W1476	Speedometer adaptor ... ..	1	
38	W1477	Distance piece ... ..	1	
39	D373	Speedometer gearbox ... ..	1	
40	W1280	Plain washer ... ..	1	
41	W3425	Nut D.S. inner ... ..	1	
42	W2089	Chain adjuster ... ..	2	
43	W1015	Adjuster end plate ... ..	2	
44	14-1902	Self-locking nut ... ..	2	
45	F1747	Spindle nut ... ..	2	
46	D106	Tyre security bolt WM2 ... ..	2	
46	WM3	Tyre security bolt WM3 ... ..	2	T100R, T100C
47	W11	Pivot pin ... ..	1	



260

Fig. 22. QUICKLY DETACHABLE REAR WHEEL (NOT U.S.A.)

**QUICKLY DETACHABLE REAR WHEEL (NOT U.S.A.)**

1	W1746	Q.D. REAR WHEEL COMPLETE ... ..	1	
1	W1745	Q.D. REAR WHEEL COMPLETE ... ..	1	T100R, T100C
2	W1747	RIM, SPOKES AND HUB ASSEMBLY ... ..	1	
2	W1603	RIM, SPOKES AND HUB ASSEMBLY ... ..	1	T100R, T100C
3	W1471	Rear wheel rim WM2-18 ... ..	1	
3	W1007	Rear wheel rim WM3-18 ... ..	1	T100R, T100C
4	W1107	Spoke (8/10G x 7 $\frac{9}{16}$ in. 90°) ... ..	10	
4A	W3402	Spoke (8/10G x 7 $\frac{9}{16}$ in. 110 ) ... ..	10	
5	W1108	Spoke (8/10 x 7 $\frac{7}{8}$ in. 90°) ... ..	20	
6	S79-2	Spoke nipple ... ..	40	
7	W1593	Hub ... ..	1	
8	W1595	Grease retainer ... ..	2	
9	W1509	Backing ring ... ..	2	
10	S35-7	Bearing ... ..	2	
11	W1596	Dust cap ... ..	1	
12	W1614	Bearing sleeve ... ..	1	
13	W1598	Distance piece (inner) ... ..	2	
14	W1635	Grease retainer ... ..	1	
15	W1599	Speedometer adaptor ... ..	1	
16	W1477	Distance piece (outer) ... ..	1	
17	W1280	Plain washer ... ..	1	
18	W3426	Nut ... ..	1	
19	W1040	Sprocket and brake drum 46T ... ..	1	
20	W1143	Grease retainer ... ..	1	
21	W1041	Bearing ... ..	1	
22	W1032	Felt washer ... ..	1	
23	W1043	Bearing and felt retainer ... ..	1	
24	W1044	Circlip ... ..	1	
25	W1045	Bearing sleeve ... ..	1	
26	W1121	Brake anchor plate ... ..	1	
27	W1406	LEADING BRAKE SHOE C/W LINING ... ..	1	
28	W1407	TRAILING BRAKE SHOE C/W LINING ... ..	1	
29	Reference only	Brake lining ... ..	2	
30	Reference only	Brass rivet ... ..	16	
31	W1415	Thrust pad ... ..	2	
32	W135	Shoe return spring ... ..	2	
33	W1083	Brake cam ... ..	1	
34	W2014	Brake cam lever ... ..	1	
35	S1-52	Nut ... ..	1	
36	W1488	Lever return spring ... ..	1	
37	W1052	Nut ... ..	1	
38	W1392	Innner distance piece ... ..	1	
39	W1170	Outer distance piece ... ..	1	
40	W1055	Spindle ... ..	1	
41	W1091	Rubber sealing ring ... ..	1	
42	D373	Speedometer gearbox ... ..	1	
43	W2087	Chain adjuster ... ..	2	
44	W1015	Adjuster end plate ... ..	2	
45	14-1902	Self-locking nut ... ..	2	
46	D106	Tyre security bolt WM2 ... ..	2	
47	W11	Pivot pin ... ..	1	

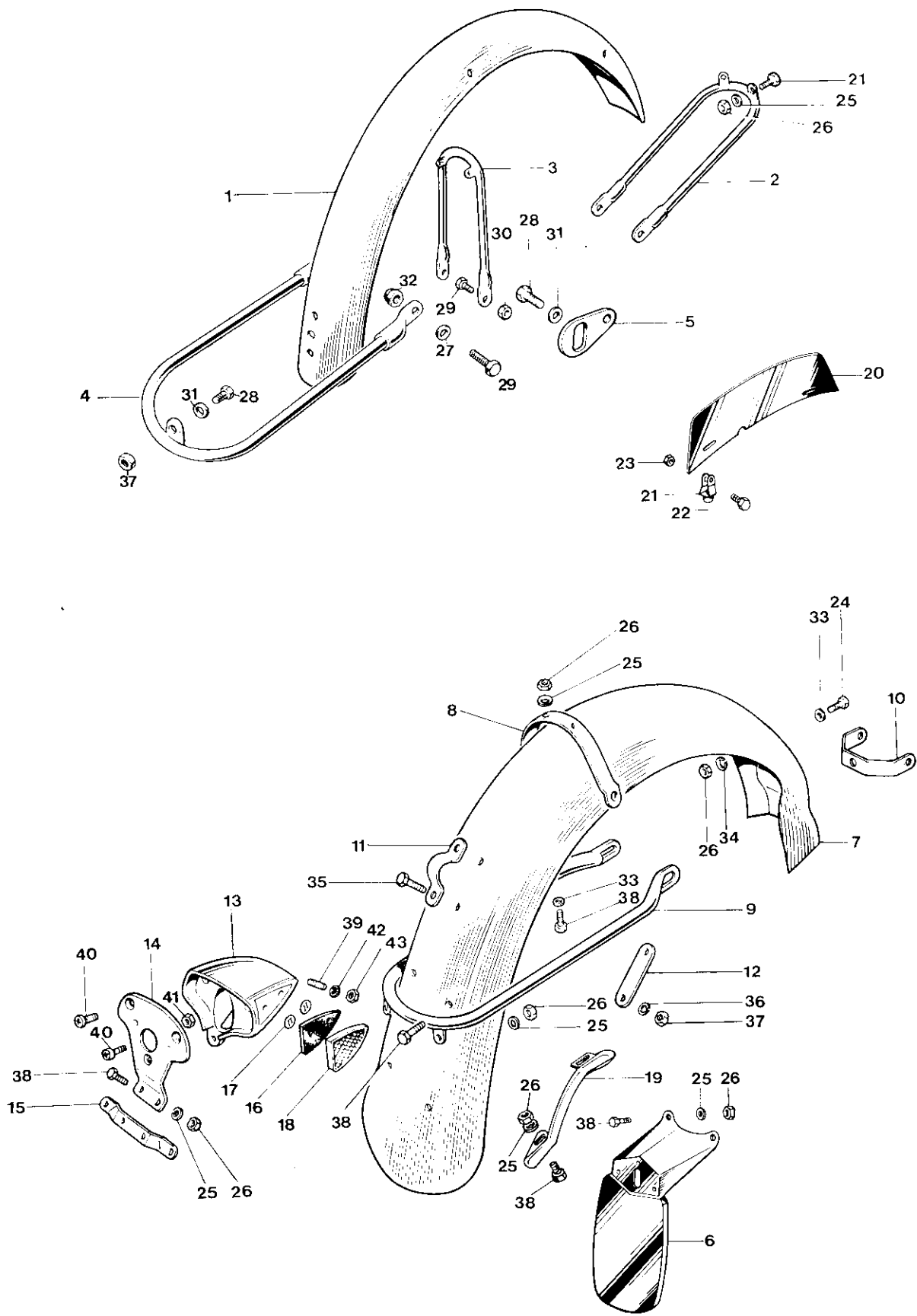


Fig. 23. MUDGUARDS (FENDERS U.S.A.)

**MUDGUARDS (FENDERS U.S.A.)**

1	H3677	Front mudguard (painted) ... ..	1	
1	H1996	Front fender (stainless steel) ... ..	1	T100C
2	H1681	Front stay ... ..	1	
2	H3663	Front stay, chrome ... ..	1	T100R
3	H1683	Centre bridge ... ..	1	
3	H3664	Centre bridge, chrome ... ..	1	T100R
4	H3688	Bottom stay, chrome ... ..	1	T100R
4	H3683	Bottom stay ... ..	1	T100C, T100S
5	H1685	Bracket ... ..	2	
6	F8121	Rear number plate ... ..	1	
7	F8126	Rear mudguard ... ..	1	
7	F8143	Rear fender ... ..	1	T100R
7	F8144	Rear fender ... ..	1	T100C
8	F6915	Bridge ... ..	1	
9	F7860	Lifting handle ... ..	1	
10	F6916	Bracket ... ..	1	
11	F5994	Clip ... ..	1	
12	F6031	Backing plate ... ..	1	
13	F8139	Tail lamp adaptor ... ..	1	} U.S.A. only
14	F6849	Tail lamp plate ... ..	1	
15	F6850	Number plate bracket ... ..	1	
16	F8140	Rubber mat reflector ... ..	1	
17	F8195	Push fix ... ..	1	
18	99-1030	Red reflector (57111) ... ..	1	
19	F7826	Wiring protector ... ..	1	
20	F10216	Front number plate ... ..	1	
21	H741	Clip assembly ... ..	2	
22	H687	Screw ... ..	2	
23	H745	Nut ... ..	2	
24	14-0101	Bolt ... ..	5	
25	S25-1	Washer ... ..	13	
26	14-1201	Nut ... ..	12	(13 U.S.A.)
27	F4299	Washer ... ..	4	
28	S1822	Bolt ... ..	2	(3 U.S.A.)
29	14-0115	Bolt ... ..	4	
30	14-0402	Nut ... ..	2	
31	S25-3	Washer ... ..	3	
32	14-0702	Nut ... ..	2	
33	F6310	Washer ... ..	3	
34	S26-2	Washer ... ..	1	
35	14-0113	Bolt ... ..	2	
36	E2287	Spring washer ... ..	2	
37	14-0302	Nut ... ..	2	(3 U.S.A.)
38	14-0102	Bolt ... ..	10	(8 U.S.A.)
39	E2980	Stud ... ..	1	
40	F4715	Screw ... ..	3	
41	F3799	Nut ... ..	1	
42	GS299	Shakeproof washer ... ..	2	
43	F879	Nut ... ..	1	

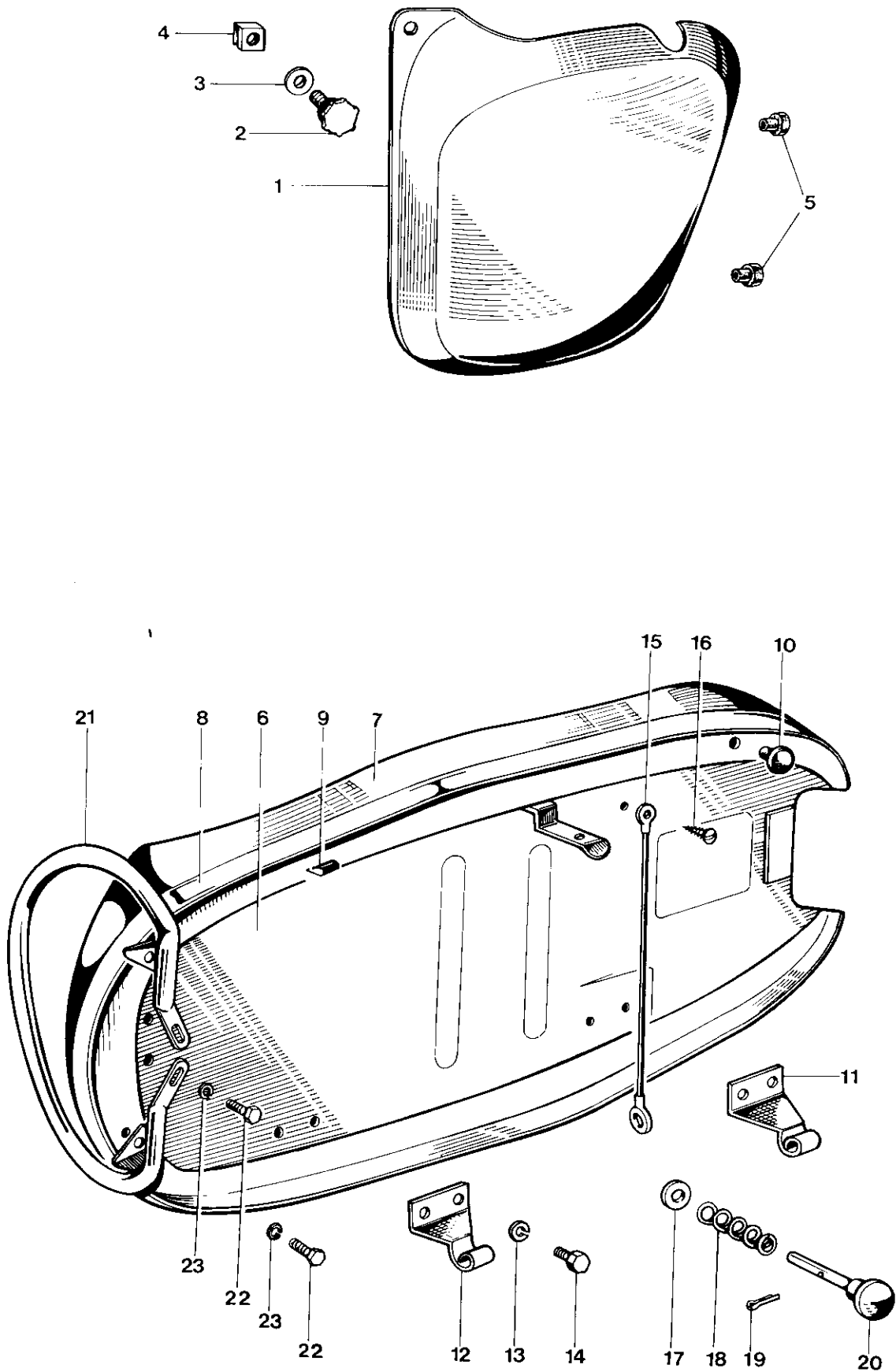


Fig. 24. PANELS AND TWINSEAT

## PANELS AND TWINSEAT

Ref. No.	Part No.	DESCRIPTION	QUANTITY	REMARKS
1	F8042	Left panel and toolbox	1	
2	F11357	Toolbox screw	1	
3	F11377	Washer	1	
4	F1022	Captive nut	1	
5	F6673	Grommet	2	
6	F9714	TWINSEAT	1	
7	F9715	Twinseat cover	1	
8	D696	Twin strip (bright)	1	
9	D697	Sprag	4	
10	F4898	Buffer front	2	
10	F7835	Buffer rear	2	
11	F8026	Hinge front	1	
12	F7862	Hinge rear	1	
13	S26-2	Spring washer	4	
14	14-0101	Bolt ( $\frac{7}{16}$ in. U.H.)	4	
15	D374	Check wire	1	
16	F4483	Self tapping screw	2	
17	F1719A	Washer	1	
18	F4228	Spring	1	
19	$\frac{3}{32}$ in. x $\frac{1}{2}$ in.	Split pin	1	
20	F7560	Seat knob and plunger	1	
21	F9498	Handrail	1	
22	14-0102	Bolt	4	
23	S26-2	Spring washer	4	
Not illus.	D674	Transfer Tiger 90	1	T90
	D675	Transfer Tiger 100	1	T100
	D2105	Transfer Trophy 500	1	T100C
	D2106	Transfer Daytona	1	T100T
	D831	Transfer Queen's Award	1	U.K. only
	D1917	Transfer Tiger 500	1	T100R

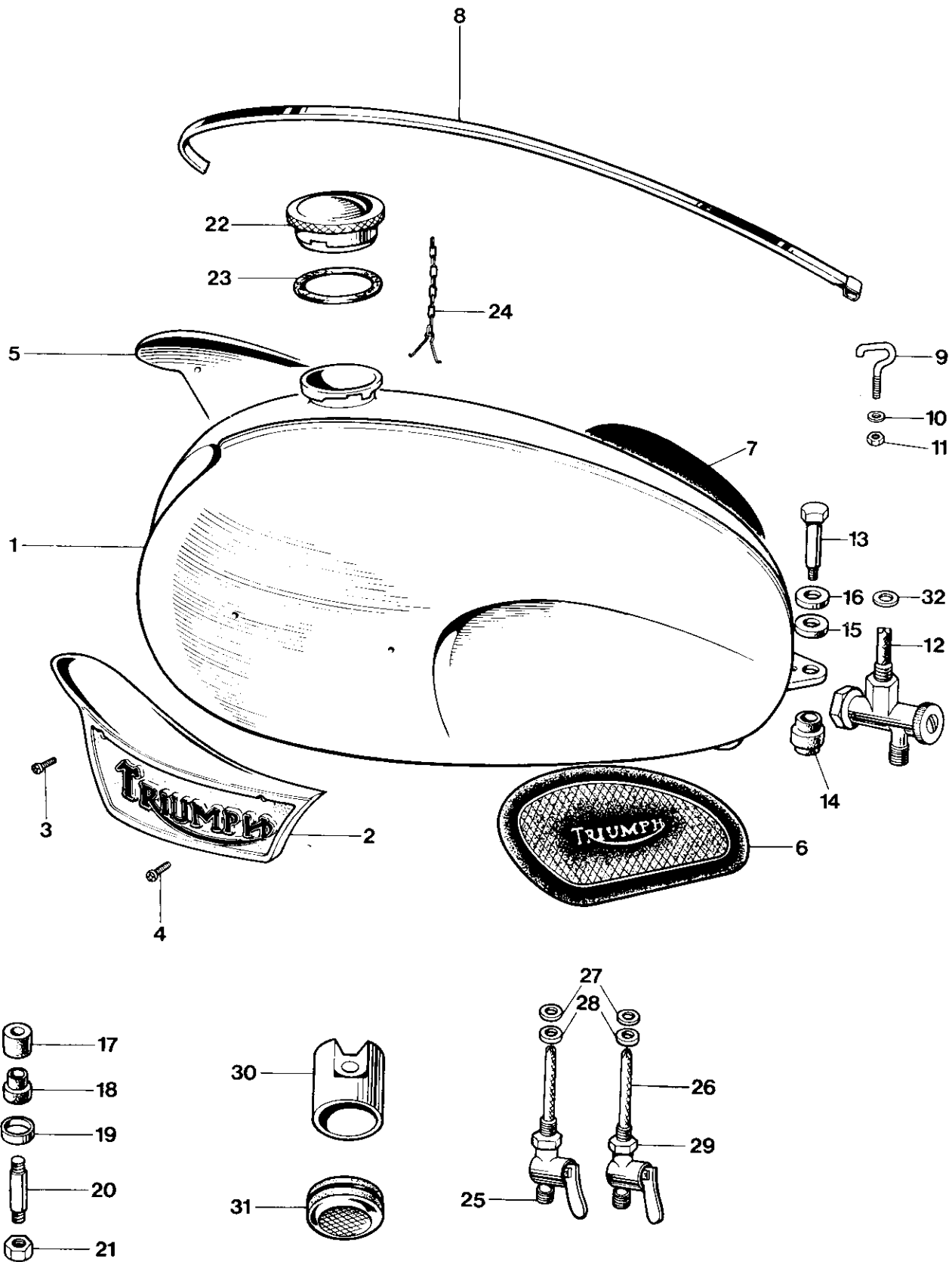


Fig. 25. PETROL TANK



## PETROL (GAS) TANKS

Ref. No.	Part No.	DESCRIPTION	QUANTITY	REMARKS
1	F9760	Petrol tank (2 gallons) ... ..	1	T100C, T100R
1	F9759	Petrol tank (3 gallons) ... ..	1	T90, T100S, T100T
2	F9701	Styling unit (left) ... ..	1	
3	F11339	Styling unit screw (27/64 in. O.A.) front ... ..	2	
4	F7888	Styling unit screw (35/64 in. O.A.) rear ... ..	2	
5	F9700	Styling unit (right) ... ..	1	
6	F8192	Left knee grip ... ..	1	
7	F8193	Right knee grip ... ..	1	
8	F10007	Centre styling strip ... ..	1	
9	F10008	Hook, screw ... ..	1	
10	F4019	Serrated washer ... ..	1	
11	H919	Nut ... ..	1	
12	F1717	Petrol tap ... ..	1	T90, T100S, T100T
13	F7388	Rear bolt ... ..	1	
14	F5336	Double spigot rubber ... ..	1	
15	F967	Rubber washer ... ..	1	
16	F3814	Cup ... ..	1	
17	F5228	Rubber washer ... ..	2	
18	F5229	Spigot rubber ... ..	2	T90, T100S
19	F3814	Cup ... ..	2	
20	S1883	Stud ... ..	2	
21	14-1302	Nut ... ..	2	
22	F3220	FILLER CAP ... ..	1	
23	F4048	Joint washer ... ..	1	
24	F3217	Jack chain ... ..	1	
25	F4971	Petrol tap (left)... ..	1	
26	F4972	Petrol tap with reserve tube ... ..	1	
27	F7351	Petrol tap seal ... ..	2	
28	F10002	Steel washer ... ..	2	T100C, T100R
29	F10006	Tap nut ... ..	2	
30	F8194	Reflector bracket ... ..	2	
31	D691	Reflector, amber ... ..	2	
32	F1511	Fibre washer ... ..	1	
Not Illu- strated	D2064	Transfer, Trophy 500 ... ..	1	T100C
	D2065	Transfer, Daytona ... ..	1	T100R
	D674	Transfer, Tiger 90 ... ..	1	T90
	D675	Transfer Tiger 100 ... ..	1	T100S
	A56	Transfer, World Speed Record ... ..	1	
	A61	Transfer, Made in England ... ..	1	
	D677	Transfer, Daytona Super Sports ... ..	1	T100T

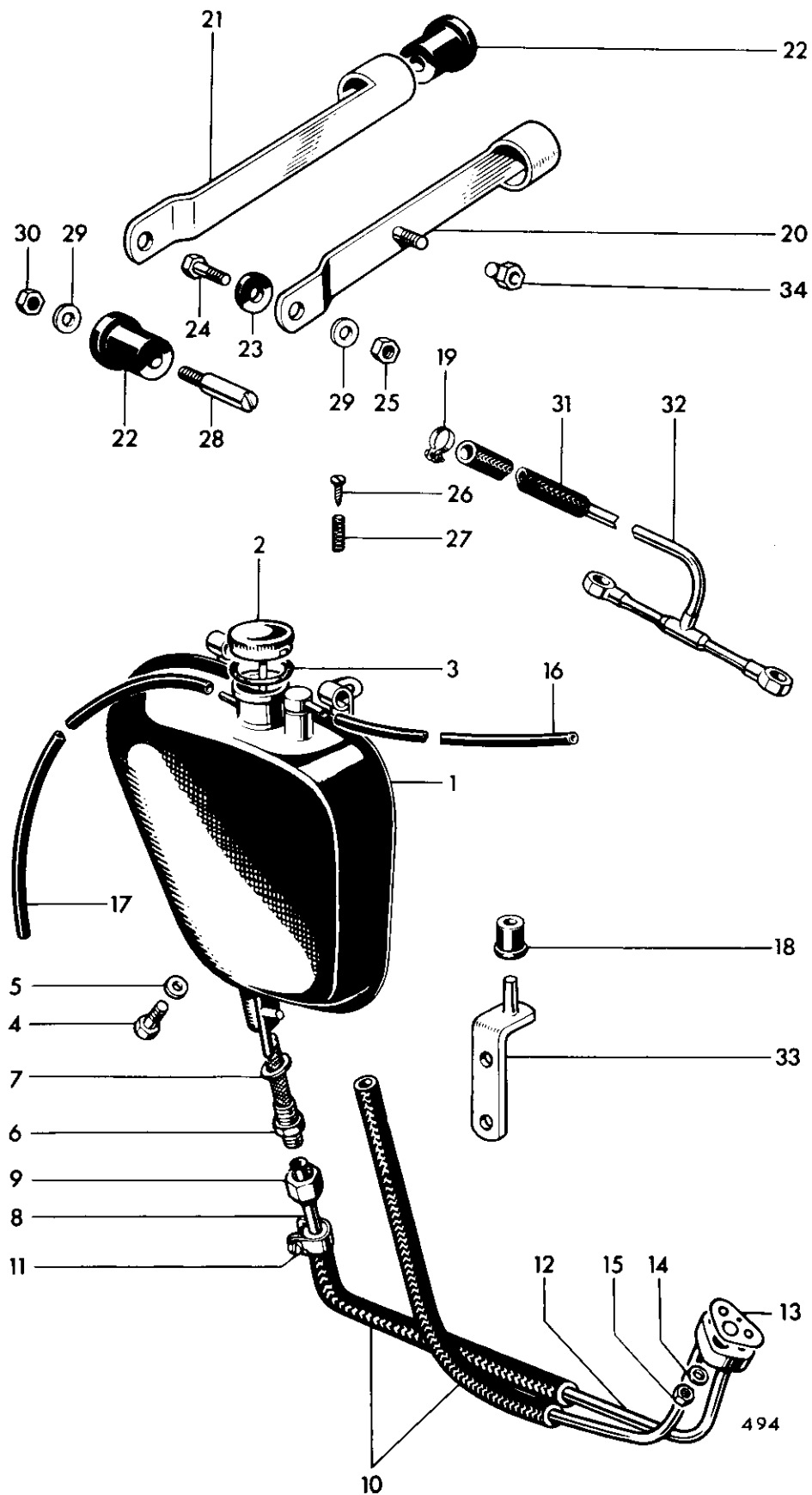


Fig. 26. OIL TANK

### OIL TANK

1	F7836	Oil tank ... ..	1	
2	F9659	FILLER CAP AND DIPSTICK ... ..	1	
3	F4047	Joint washer ... ..	1	
4	F5343	Drain plug ... ..	1	
5	PT104B	Fibre washer ... ..	1	
6	F3179	Oil tank filter ... ..	1	
7	F1713	Fibre washer ... ..	1	
8	F6103	Upper feed pipe ... ..	1	
9	F3182	Union nut ... ..	1	
10	E4594	Flexible connector, long ... ..	2	
11	E6848	Clip ... ..	4	
12	E7203	Oil pipes and junction block ... ..	1	
13	E3763	Joint washer ... ..	1	
14	E3446	Plain washer ... ..	1	
15	S1908	Nut ... ..	1	
16	T1579	Vent pipe ... ..	1	
17	F7352	Flexible pipe (chain oiler) ... ..	1	
18	F6039	Grommet ... ..	1	
19	E6849	Clip (rocker pipe) ... ..	1	
20	F9255	Front strap ... ..	1	
21	F8028	Rear strap ... ..	1	
22	F6673	Spigot rubber ... ..	4	
23	F6968	Rubber washer ... ..	2	
24	14-0103	Bolt ( $\frac{3}{4}$ in. U.H.) ... ..	2	
25	14-0701	Self-locking nut ... ..	2	
26	F6511	Metering screw ... ..	1	
27	F6874	Coil spring ... ..	1	
28	F7510	Screwed peg ... ..	2	
29	S25-13	Plain washer ... ..	4	
30	14-0301	Nut ... ..	2	
31	E6353	Rubber connector ... ..	1	
32	E7576	Rocker oil feed pipe ... ..	1	
33	F6898	Bracket ... ..	1	
34	F8034	Spigot nut ... ..	1	
—	D1816	Grouped transfer "Drain and Refill" etc. ... ..	1	Not illustrated

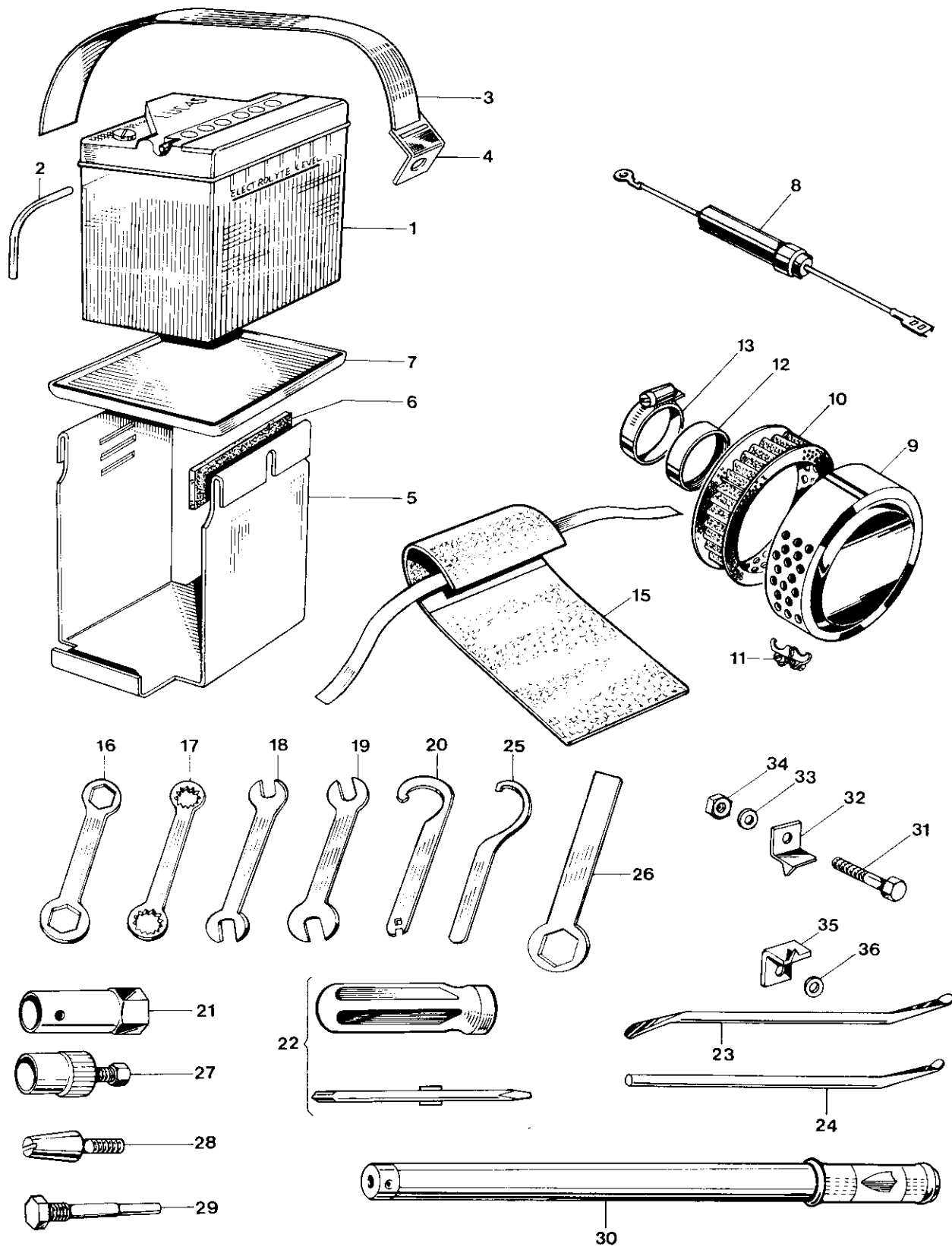


Fig. 27. BATTERY, TOOLKIT AND AIR FILTER

**BATTERY, TOOLKIT AND AIR FILTER**

Ref. No.	Part No.	Description	Quantity	Remarks
1	99-0719	Battery 54027029 (PUZ5A) ... ..	1	
2	F7431	Vent pipe ... ..	1	
3	F8033	Battery retaining strap ... ..	1	
4	F8032	Battery strap anchorage ... ..	1	
5	F8024	Battery carrier ... ..	1	
6	F8031	Battery carrier rubber ... ..	1	
7	F8091	Battery carrier tray ... ..	1	
8	5492886	Fuse assembly ... ..	1	
9	F6430	AIR FILTER ... ..	1	T90/T100S
10	F4811	Filter element (felt) ... ..	1	T90/T100S
9	F7772	AIR FILTER ... ..	1 or 2	T100R/T100C/T100T
10	F5764	Filter element (Filter cloth and gauze) ... ..	1 or 2	T100R/T100C/T100T
11	F4810	Clip for cover ... ..	1 or 2	
12	E4576	Adaptor ... ..	1 or 2	
13	D177/8	Clip ... ..	1	
14	D2110	TOOL KIT ... ..	1	
15	D291	Tool roll ... ..	1	
16	DA311	Ring spanner $\frac{5}{8}$ in. x $\frac{1}{16}$ in. WHIT ... ..	1	
17	D370	Ring spanner $\frac{3}{16}$ in. x $\frac{1}{4}$ in. WHIT ... ..	1	
18	D2084	Open end spanner $\frac{1}{2}$ in. x $\frac{7}{16}$ in. WHIT ... ..	1	
19	D16	Open end spanner $\frac{3}{8}$ in. x $\frac{7}{16}$ in. WHIT ... ..	1	
20	D326	C spanner and tappet key ... ..	1	
21	D87	Box spanner for sparking plug ... ..	1	
22	D767	Screwdriver c/w blade ... ..	1	
23	NA14A	Tyre lever ... ..	1	
24	D801	Tyre lever and tommy bar ... ..	1	
25	D527	Fork spanner for sleeve nut ... ..	As required	
26	D779	Fork spanner for cap nut ... ..	As required	
27	D662/3	Clutch hub extractor ... ..	As required	
28	D486	Contact breaker assembly pilot ... ..	As required	
29	D484	Contact breaker extractor ... ..	As required	
30	D296	Tyre inflator ... ..	1	
31	14-0102	Bolt ( $\frac{5}{8}$ in. U.H.) ... ..	1	
32	F5432	Inflator top bracket ... ..	1	
33	S25-43	Plain washer ... ..	1	
34	14-0401	Nut ... ..	1	
35	F5433	Inflator bottom bracket ... ..	1	
36	S25-3	Plain washer ... ..	1	

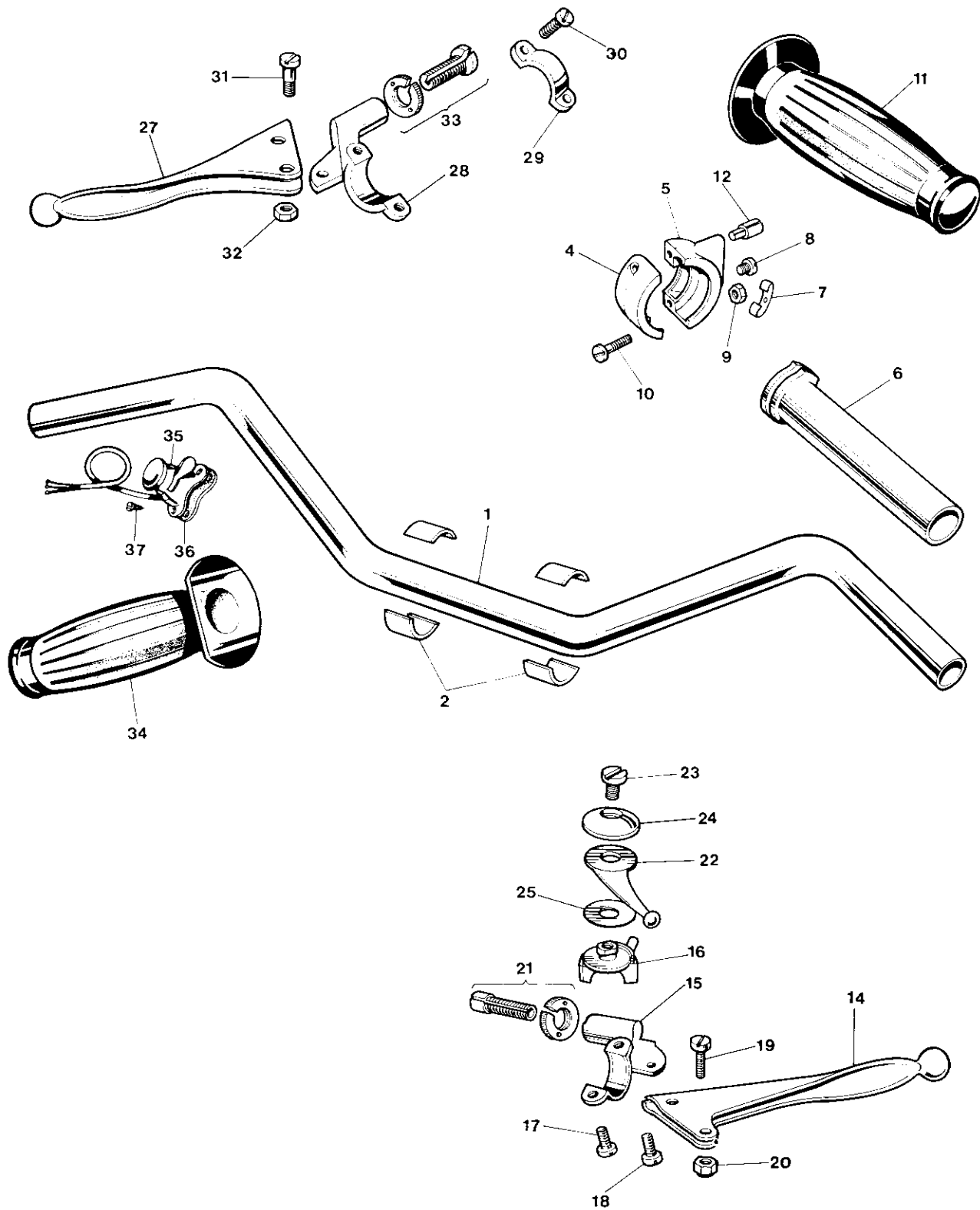


Fig. 28. HANDLEBARS AND CONTROL LEVERS

**HANDLEBAR AND CONTROL LEVERS**

Ref. No.	Part No.	DESCRIPTION	QUANTITY	REMARKS
1	H1871	Handlebar ... ..	1	T90, T100S, T100T
1	H1873	American handlebar ... ..	1	T100R, T100C
2	H1425	Packing piece ... ..	4	
3	99-0248	TWISTGRIP (16/364) ... ..	1	
4	99-0245	Body top half (16/328) ... ..	1	
5	99-0246	Body bottom half (16/329) ... ..	1	
6	99-0244	Rotor (16/091) ... ..	1	
7	99-0238	Friction spring (16/008) ... ..	1	
8	99-0239	Friction spring screw (16/009) ... ..	1	
9	99-0240	Nut (16/010) ... ..	1	
10	99-0226	Screw (11/014) ... ..	2	
11	H2125	Handlebar grip ... ..	1	
12	99-0241	Cable stop (16/011) ... ..	1	
13	D2073	FRONT BRAKE AND AIR LEVER ASSEMBLY (18/978)	1	
14	99-0262	Brake lever (ball end) (18/754) ... ..	1	
15	99-0267	Lever bracket (18/777) ... ..	1	
16	12/619	Control body ... ..	1	
17	99-0226	Screw (11/014) ... ..	1	
18	99-0225	Screw (11/013) ... ..	1	
19	99-0252	Fulcrum screw (18/087) ... ..	1	
20	99-0250	Self locking nut (18/053) ... ..	1	
21	99-1031	Cable adjuster and nut (18/1708/1709) ... ..	1	
22	99-0228	Lever (12/556) ... ..	1	
23	12/607	Bolt ... ..	1	
24	12/606	Cap ... ..	1	
25	12/033	Spring washer ... ..	1	
26	D2074	CLUTCH LEVER ASSEMBLY (18/952) ... ..	1	
27	99-0261	Clutch lever (ball end) (18/752)... ..	1	
28	99-0265	Clutch lever bracket (18/773) ... ..	1	
29	99-0230	Clamp (12/595) ... ..	1	
30	99-0226	Screw (11/014) ... ..	2	
31	99-0252	Fulcrum screw (18/087) ... ..	1	
32	99-0250	Self locking nut (18/053) ... ..	1	
33	99-1031	Cable adjuster and nut (18/1708/1709) ... ..	1	
34	H2124	Handlebar grip ... ..	1	
35	99-0555	Horn push and dip switch (31563) ... ..	1	
36	380459	Backing rubber ... ..	1	
37	H1994	Selftapping screw (½ in. U.H.) ... ..	2	

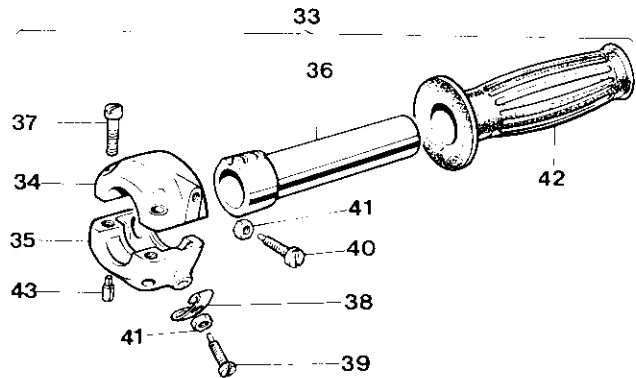
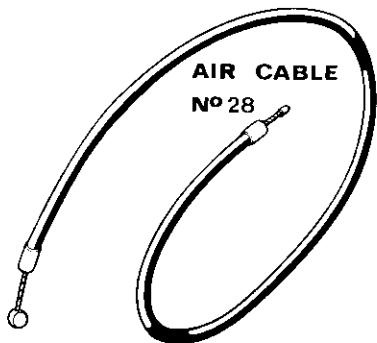
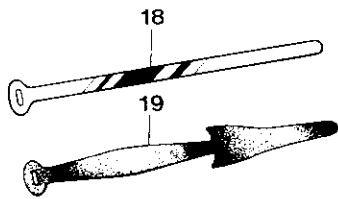
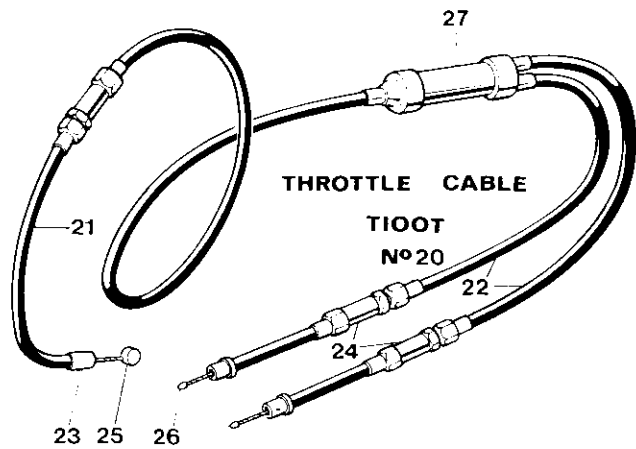
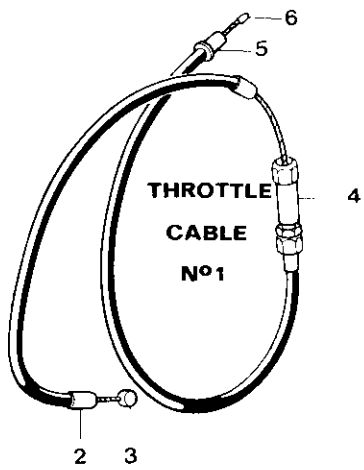
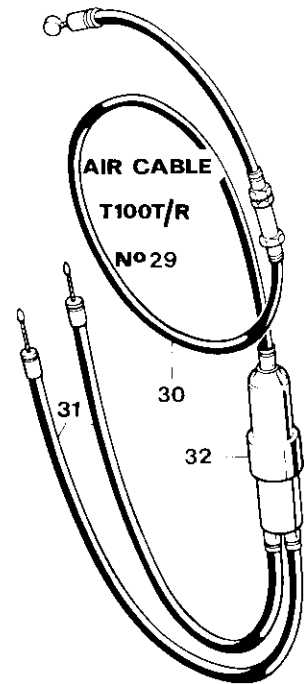
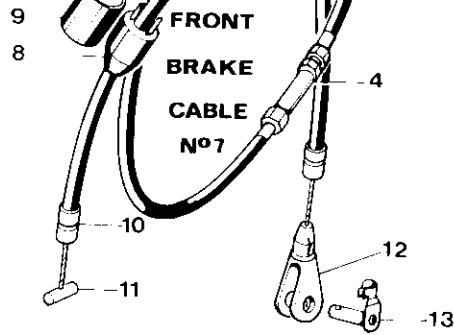
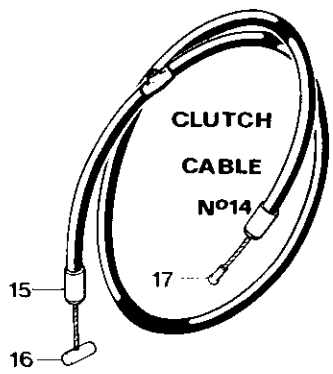


Fig. 29. CONTROL CABLES



## CONTROL CABLES

Ref. No.	Part No.	DESCRIPTION	QUANTITY	REMARKS	
1	D1823	THROTTLE CABLE ... ..	1	T90, T100S, T100C	
1	D1822	THROTTLE CABLE ... ..	2	T100R	
2	D101	Ferrule ... ..	3		
3	D83	Nipple ... ..	1		
4	D104	Adjuster ... ..	1		
5	6/132A	Ferrule ... ..	1		
6	NS191	Nipple ... ..	1		
7	D2077	FRONT BRAKE CABLE ... ..	1		
7	D2076	FRONT BRAKE CABLE ... ..	1	T100R	
8	D2085	Front stop switch ... ..	1		
9	D2086	Cover for switch ... ..	1		
10	D103	Ferrule ... ..	2		
11	D506	Nipple ... ..	1		
12	D638	Fork end ... ..	1		
13	W2006	Spring fix ... ..	1		
14	D1995	CLUTCH CABLE ... ..	1		
14	D1994	AMERICAN CLUTCH CABLE ... ..	1	T100R, T100C	
15	D103	Ferrule ... ..	1		
16	D506	Nipple ... ..	2		
17	DS73	Nipple ... ..	1		
18	XA69	Cable clip ... ..	As required		
19	D343/7	Rubber cable clip ... ..	1		
20	D738	THROTTLE CABLE ... ..	1	} T100T	
21	D741	Cable, twistgrip to junction box ... ..	1		
22	D739	Cable, junction box to carburetter ... ..	2		
23	D101	Ferrule ... ..	10		
24	D104	Adjuster assembly ... ..	3		
25	D83	Nipple ... ..	1		
26	NS191	Nipple ... ..	5		
27	D685	Junction box (244/104) ... ..	2		
28	D1824	AIR CONTROL CABLE ... ..	1		} T90, T100S, T100C T100T, T100R
29	D1820	AIR CONTROL CABLE ... ..	1		
30	D1821	Lever to junction box ... ..	1	} T100R	
31	D745	Junction box to carburetter ... ..	2		
32	D685	Junction box (244/104) ... ..	1		
33	99-0347	TWIN ROTOR TWIST GRIP (313/13) ... ..	1		
34	99-0348	Body, top half (313/020) ... ..	1		
35	99-0349	Body, bottom half (313/021) ... ..	1		
36	99-0344	Rotor (313/004) ... ..	1		
37	99-0251	Screw (18/084) ... ..	2		
38	99-0238	Friction spring (16/008) ... ..	1		
39	99-0337	Adjuster screw (210/007) ... ..	1		
40	99-0338	Rotor stop (210/008) ... ..	1		
41	99-0224	Nut (5/077) ... ..	2		
42	H2125	Grip ... ..	1		
43	99-0241	Cable stop (16/011) ... ..	2		

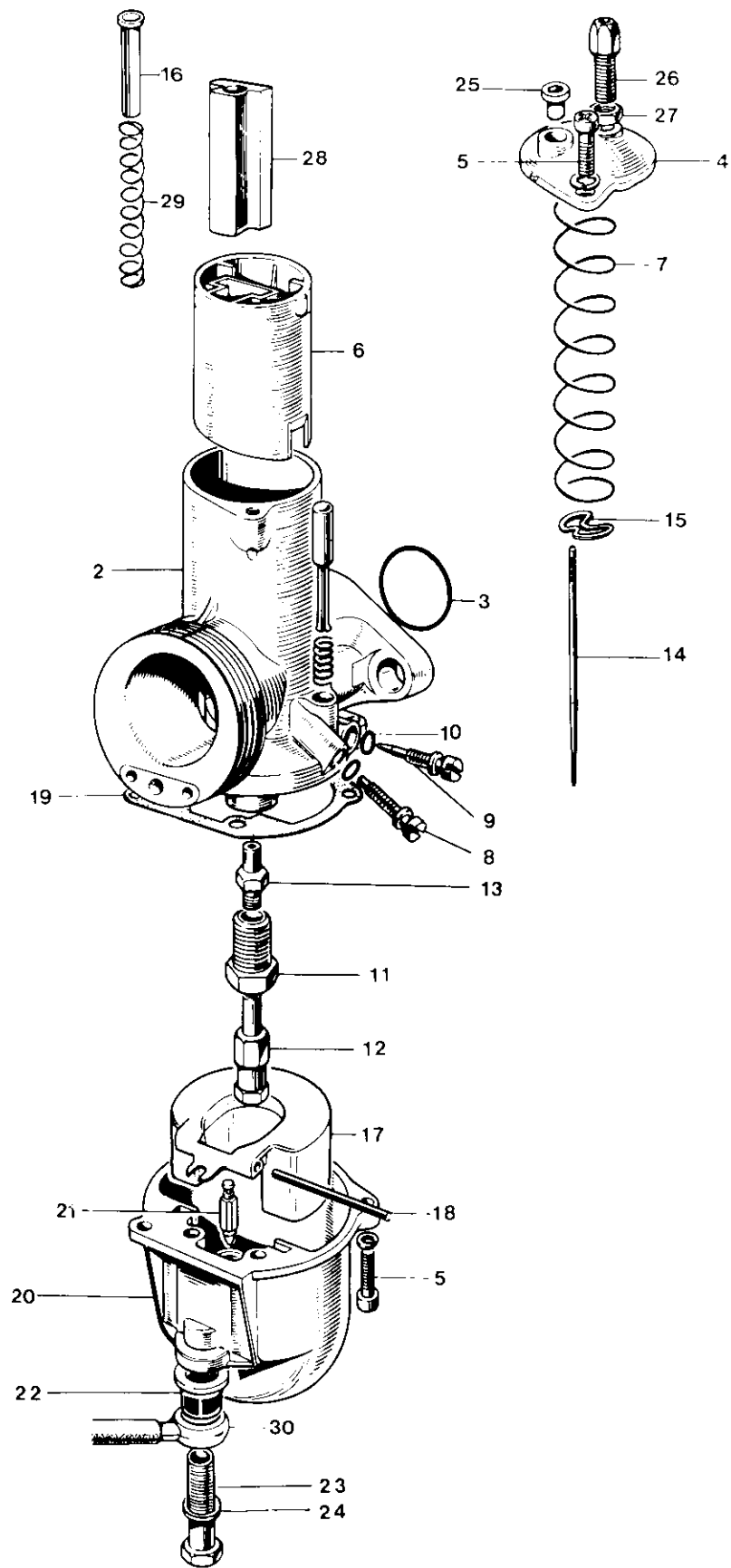


Fig. 30. CARBURETTER, T90, T100 AND T100C

## CARBURETTER, T90, T100S AND T100C

Ref. No.	Part No.	DESCRIPTION	QUANTITY	REMARKS
1	D773	CARBURETTER R624/2 ... ..	1	T90
1	D774	CARBURETTER R626/8 ... ..	1	T100S, T100C
2	Reference only	Mixing chamber ... ..	1	
3	99-0522	"O" ring seal (622/101) ... ..	1	
4	99-1049	Mixing chamber top (622/097) ... ..	4	
5	99-0521	Screw (622/086) ... ..	1	
6	99-1050	Throttle valve (No. 4 T100) (622/060) ... ..	1	
7	99-0509	Throttle return spring (copper plated) (6221065) ... ..	1	
8	99-0516	Throttle stop screw (622/077) ... ..	1	
9	99-0515	Air adjusting screw (622/076) ... ..	1	
10	99-0520	"O" ring (622/082) ... ..	1	
11	99-1034	Jet holder (622/128) ... ..	1	
12	99-0445	Main jet (376/100) size .180 ... ..	1	T90 size .140 (99-0443)
13	99-1035	Needle jet (622/122) size .106 ... ..	1	
14	99-1036	Needle (622/124) ... ..	1	
15	99-0510	Needle clip (622/067) ... ..	1	
16	99-1051	Air valve guide sleeve (622/134) ... ..	1	
17	99-0512	Float (622/069) ... ..	1	
18	99-0513	Float spindle (622/071) ... ..	1	
19	99-0514	Joint washer (622/073) ... ..	1	
20	99-0506	Float chamber (622/050) ... ..	1	
21	99-0511	Float needle (622/068) ... ..	1	
22	99-0438	Filter (376/093) ... ..	1	
23	99-0517	Banjo bolt (622/078) ... ..	1	
24	99-0437	Fibre washer (376/092) ... ..	1	
25	6/132A	Ferrule ... ..	1	
26	4/035	Cable adjuster ... ..	1	
27	99-0224	Nut (5/077) ... ..	1	
28	622/062	Air slide ... ..	1	
29	99-1038	Air slide spring (622/129) ... ..	1	
30	F9268	Petrol pipe ... ..	1	T90, T100S
30	F9271	Petrol pipe ... ..	1	T100C

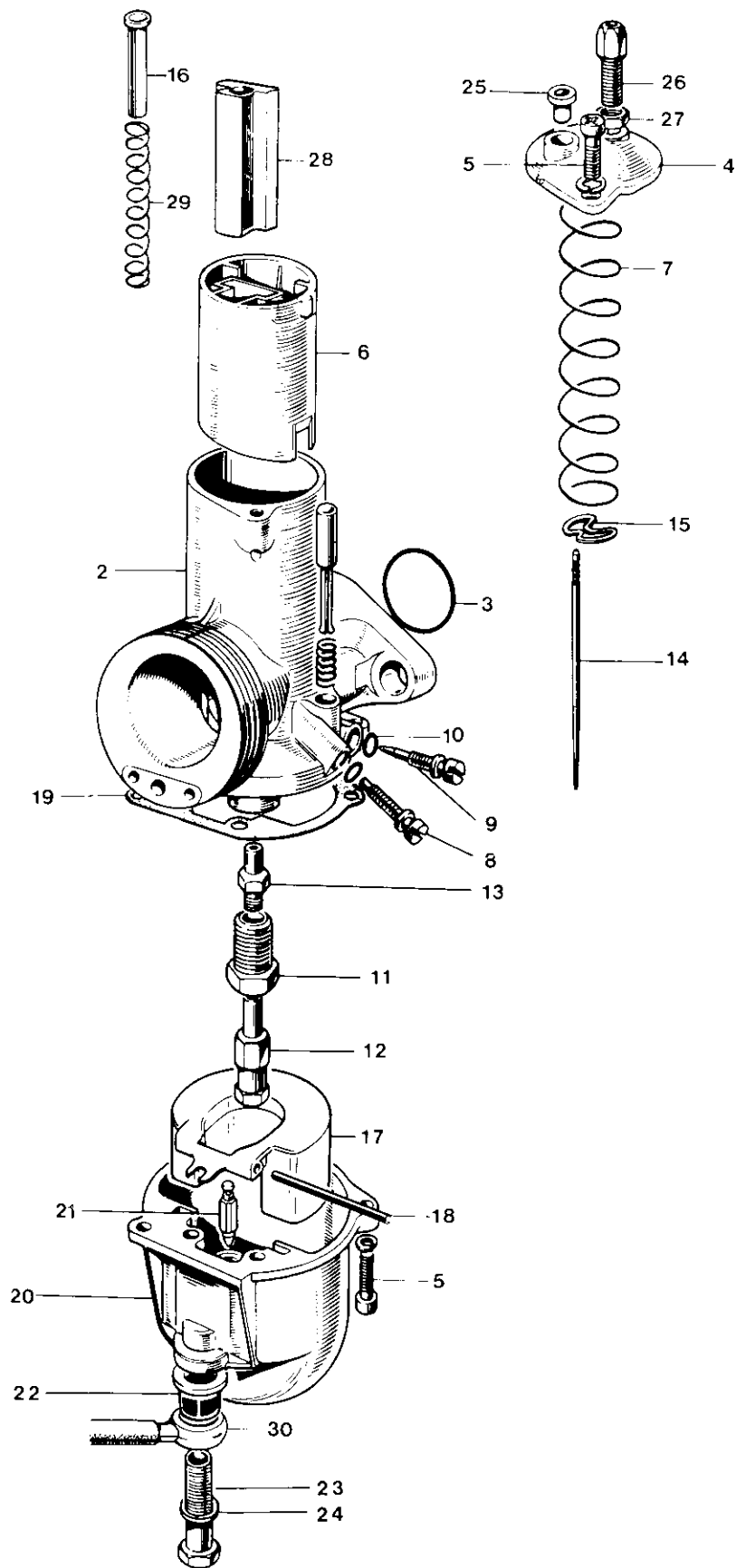


Fig. 31. CARBURETTER, T100T AND T100R

**CARBURETTER, T100T AND T100R**

1	D775	CARBURETTER L626/9	1	Left
1	D776	CARBURETTER R626/10	1	Right
2	Reference only	Mixing chamber	1	
3	99-0522	"O" ring seal (622/101)	2	
4	99-1049	Mixing chamber top (622/097)	2	
5	99-0521	Screw (622/086)	2	
6	99-1050	Throttle valve (3 cutaway) (622/060)	2	
7	99-0509	Throttle return spring (copper plated) (622/065)	2	
8	99-0516	Throttle stop screw (622/077)	2	
9	99-0515	Air adjusting screw (622/076)	2	
10	99-0520	"O" ring (622/082)	4	
11	99-1034	Jet holder (622/128)	2	
12	99-0445	Main jet (size 160) (376/100)	2	
13	99-1035	Needle jet (size .106) (622/122)	2	
14	99-1036	Needle (622/124)	2	
15	99-0510	Needle clip (622/067)	2	
16	99-1051	Air valve guide sleeve (622/134)	2	
17	99-0512	Float (622/069)	2	
18	99-0513	Float spindle (622/071)	2	
19	99-0514	Joint washer (622/073)	2	
20	99-0506	Float chamber (622/050)	2	
21	99-0511	Float needle (622/068)	2	
22	99-0438	Filter (376/093)	2	
23	99-0517	Banjo bolt (622/078)	2	
24	99-0437	Fibre washer (376/092)	2	
25	6/132A	Ferrule	1	
26	4/035	Cable adjuster	1	
27	99-0224	Nut (51077)	1	
28	622/062	Air slide	1	
29	99-1038	Air slide spring (622/129)	1	
30	F9268	Petrol pipe	1	T90, T100S
30	F9271	Petrol pipe	1	T100C

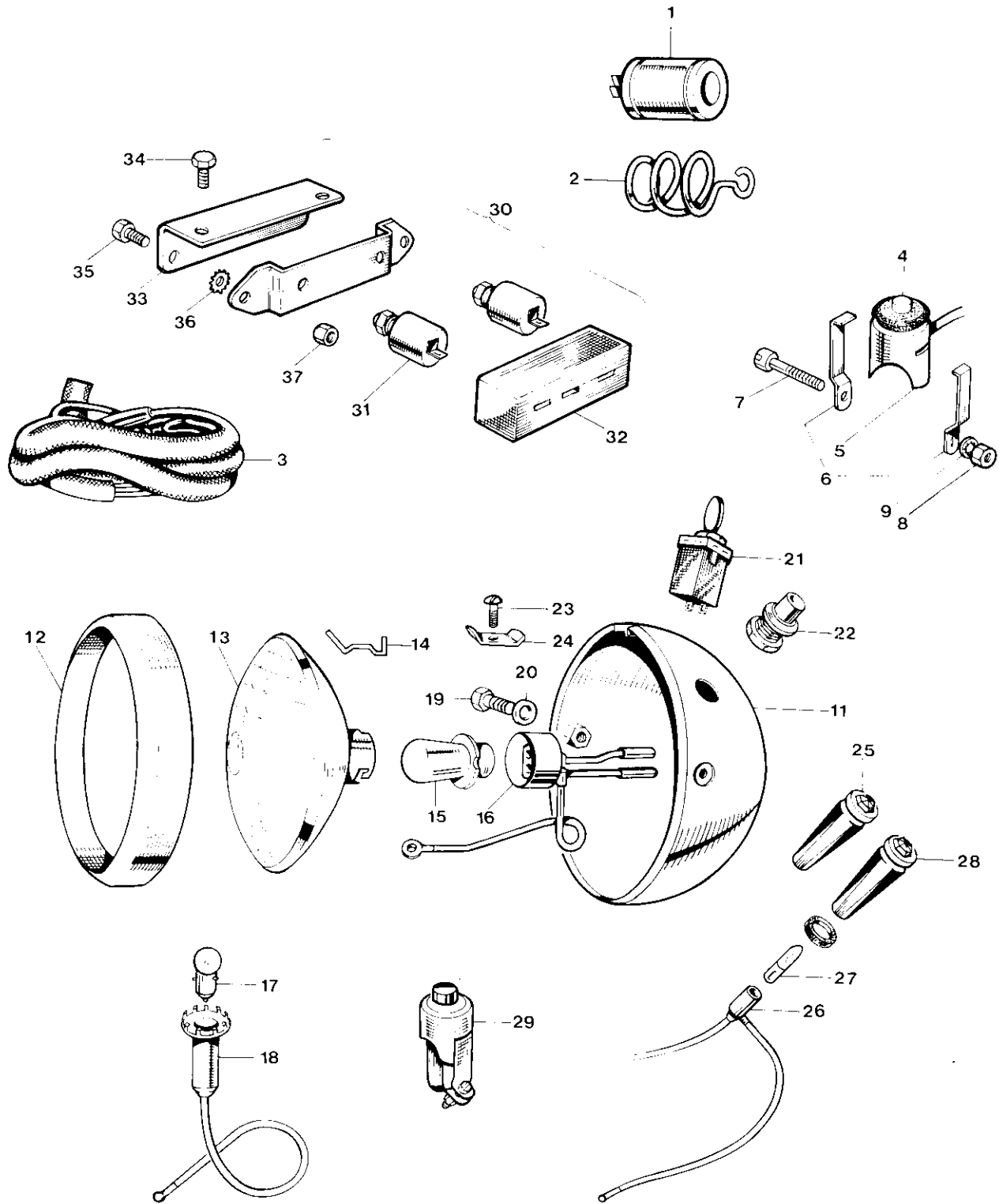


Fig. 32. IGNITION CAPACITOR AND T100C HEADLAMP

## IGNITION CAPACITOR AND T100C HEADLAMP

1	99-0737	Ignition capacitor (type 2MC) (54170009) ... ..	Available
2	99-0778	Capacitor mounting spring (54483156) ... ..	Available
3	99-1039	Wiring harness (54955719) ... ..	1 T100C
4	99-0564	Kill-button, type 151SA (35835) ... ..	1
5	H2259	Cup ... ..	1
6	H2034	Clip ... ..	2
7	H687	Bolt ( $\frac{3}{8}$ in. U.H.) ... ..	1
8	H745	Nut ... ..	1
9	F5299	Serrated washer ... ..	1
10	99-1041	HEADLAMP ASSEMBLY, MCH 66 (54524526) ... ..	1
11	54524000	Shell only ... ..	1
12	99-0691	Rim (534343) ... ..	1
13	99-0688	Light unit (516828) ... ..	1
14	99-0683	Fixing wire (504665) ... ..	6
15	99-1042	Bulb (40/27 W. Vertical Dip, Pre-focus) (464) ... ..	1
16	99-0695	Bulb holder-pilot (554710) ... ..	1
17	99-0548	Bulb (3W. M.C.C.) (989) ... ..	1
18	99-1003	Adaptor c/w leads (54520540) ... ..	1
19	99-1004	Bolt (112201) ... ..	2
20	99-1005	Washer (137498) ... ..	2
21	99-0563	Lighting switch (35710) ... ..	1
22	99-0556	Dip switch (31620) ... ..	1
23	144921	Screw ... ..	1
24	99-0690	Plate (534296) ... ..	1
25	99-0568	Warning light, Red (38189) ... ..	1
26	99-0803	Warning bulbholder (54945043) ... ..	1
27	99-0537	Bulb (2W. BA7S) (281) ... ..	2
28	99-0569	Warning light, Green (38191) ... ..	1
29	D553	Horn push, Clear Hooters No. 10 ... ..	1

## CONDENSER PACK - ALL MODELS

30	99-0588	Condenser pack 2CP (47638) ... ..	1
31	99-1043	Condenser (54420128) ... ..	2
32	99-0767	Cover (54418528) ... ..	1
33	F8082	Condenser pack bracket ... ..	1
34	F4771	Bolt, bracket to frame ... ..	2
35	F10033	Bolt, condenser pack to bracket ... ..	2
36	GS299	Spring washer ... ..	2
37	F3799	Nut ... ..	2

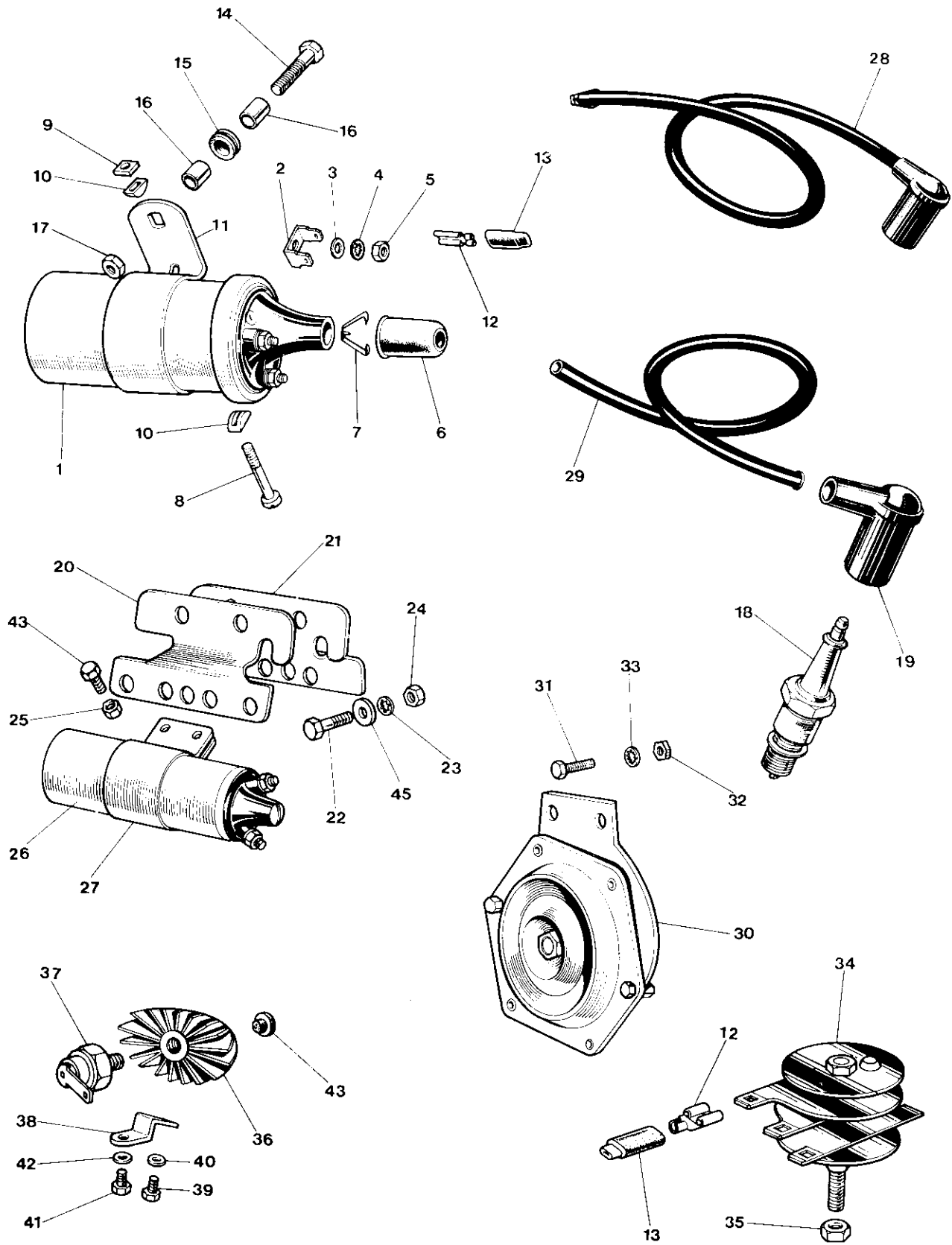


Fig. 32. IGNITION COILS, HORN, RECTIFIER AND ZENER DIODE



**IGNITION COILS, HORN, RECTIFIER AND ZENER DIODE**

1	99-0574	Ignition coil, Type MA12 (45110)	2	} T90, T100S and T100T
2	54190108	Lucar terminal	4	
3	131023	Plain washer (E2351)	4	
4	188330	Serrated washer (GS299)	4	
5	166043	Nut (F3799)	4	
6	99-0643	Rubber cover (421554)	2	
7	99-0644	Cable clip (421863)	2	
8	100104	Screw	2	
9	169160	Square nut	2	
10	99-0645	"D" washer (422369)	4	
11	99-1052	Coil clip (54416636)	2	
12	99-0799	Lucar connector (54942078)	As required	
13	99-0738	Insulating cover (54190042)	As required	
14	14-0206	Bolt (1 $\frac{3}{4}$ in. U.H.)	2	
15	F5466	Rubber grommet	2	
16	F5467	Distance piece	4	
17	14-0701	Self-locking nut	2	
18	N4	Sparking plug (Champion N4)	2	
19	D262	Plug cover	2	
20	F7182	Left coil bracket	1	} T100R, T100C
21	F7331	Right coil bracket	1	
22	14-0114	Bolt ( $\frac{1}{16}$ in. U.H.)	2	
23	S26-3	Spring washer	2	
24	14-0302	Nut	2	
25	14-0301	Nut	6	
26	E6388	Ignition coil, Siba 32,000	2	
27	E6389	Clip, Siba 32,000/1	2	
28	54937976	H.T. lead complete (resistive)	2	
29	842183	H.T. lead (7 mm. cable)	2	T100R
30	F7552	Horn (Clearhooter 27899)	1	
31	F4771	Screw ( $\frac{3}{8}$ in. U.H.)	2	
32	F3799	Nut	3	
33	GS299	Serrated washer	3	
34	99-0589	Rectifier, type 2DS 506 (49072)	1	
35	F5338	Nut (156 596)	1	
36	H2237	Heat sink	1	
37	99-0590	Zener diode (49345)	1	
38	H2236	Heat sink bracket	1	
39	14-6102/001	Bolt	1	
40	S26-2	Washer	1	
41	14-0113/001	Bolt, bracket to fork lug	1	
42	S26-3	Washer	1	
43	H2275	Plug, heatsink	1	
44	14-0103	Bolt ( $\frac{5}{8}$ in. U.H.)	4	
45	F2184	Distance piece	1	

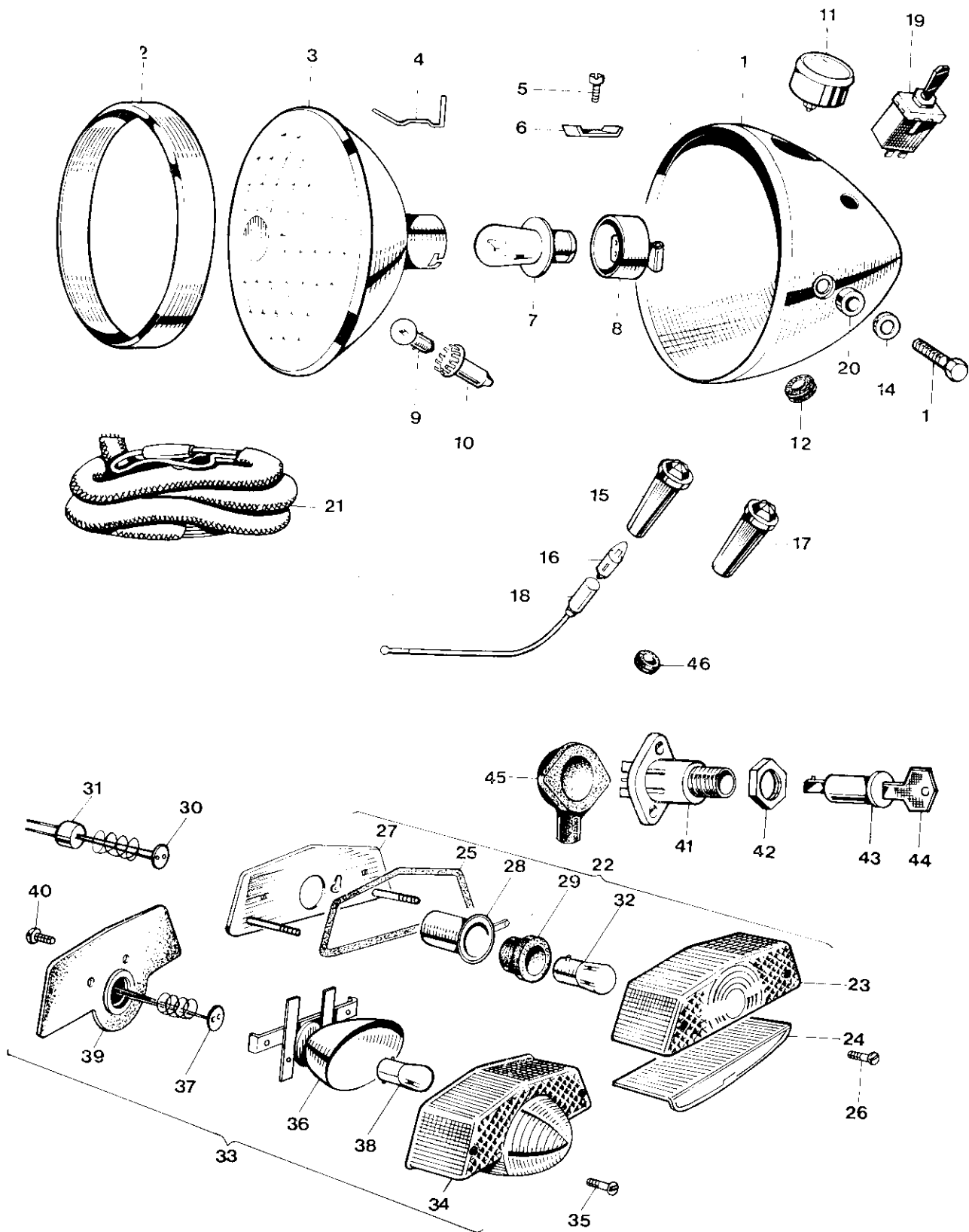


Fig. 33. HEADLAMP, WIRING HARNESS, SWITCHES AND TAIL LAMP

**HEADLAMP, WIRING HARNESS, SWITCHES AND TAIL LAMP**

1	D2028	HEADLAMP COMPLETE SS700P, 59883 ... ..	1	T90, T100, T100S, T100C, T100R
1	54523999	Shell only ... ..	1	
2	99-0692	Rim (553248) ... ..	1	
3	99-0686	Light unit (516798) ... ..	1	
4	99-0683	Fixing wire (504665) ... ..	6	
5	144921	Screw ... ..	1	
6	99-0690	Plate (534296) ... ..	1	
7	99-0545	Bulb (50/40W. Vert dip. Pre-focus) (446) ... ..	1	
8	99-1003	Main bulbholder (54520540) ... ..	1	
9	99-0548	Bulb (3W. M.C.C.) (989) ... ..	1	
10	99-0695	Pilot bulbholder (554710) ... ..	1	
11	99-1044	Ammeter, type 2AR (36403) ... ..	1	
12	862217	Grommet ... ..	1	
13	99-1004	Bolt (112001) ... ..	2	
14	99-1005	Plain washer (137498) ... ..	2	
15	99-0568	Warning light body (Red) (38189) ... ..	1	
16	99-0537	Bulb (2W. BA7S) (281) ... ..	1	
17	99-0569	Warning light body (Green) (38191) ... ..	1	
18	99-0803	Warning bulbholder (54945043) ... ..	2	
19	99-0563	Lighting switch, type 57SA (35710) ... ..	1	
20	H1932	Distance piece ... ..	2	
21	99-1045	Wiring harness (54955257) ... ..	1	
22	99-0595	STOP AND TAIL LAMP, Type 564 (53454) ... ..	1	} T90, T100S, T100T
23	573839	Lens... ..	1	
24	575200	Window ... ..	1	
25	99-0703	Lens seating gasket (575208) ... ..	1	
26	99-0704	Sleeve nut (575219) ... ..	2	
27	576002	Base assembly ... ..	1	
28	575209	Bulbholder ... ..	1	
29	99-0702	Grommet (575207) ... ..	1	
30	99-0701	Contact assembly (573828) ... ..	1	
31	99-0700	Grommet (573825) ... ..	1	
32	99-0542	Bulb (6/12W. Offset pin) (380) ... ..	2	} T100R, T100C
33	99-0597	STOP AND TAIL LAMP, Type L679 (53973) ... ..	1	
34	99-1046	Lens (54577109) ... ..	1	
35	99-0698	Screw (572289) ... ..	2	
36	99-0783	Bulb holder with reflector (54574348) ... ..	1	
37	99-0701	Contact assembly ... ..	1	
38	99-0542	Bulb (6/21W. Offset pin) (380) ... ..	1	
39	54571677	Gasket ... ..	1	
40	110714	Screw ... ..	2	
41	99-0558	Ignition switch, type S45 (31899) ... ..	1	
42	99-1000	Nut ... ..		Reference only
43	F6981	IGNITION LOCK c/w KEYS ... ..	1	
44	D622	Ignition key (state serial number) ... ..		As required
45	H2262	Ignition switch cover ... ..	1	
46	199001	Grommet for tail lamp lead ... ..	1	

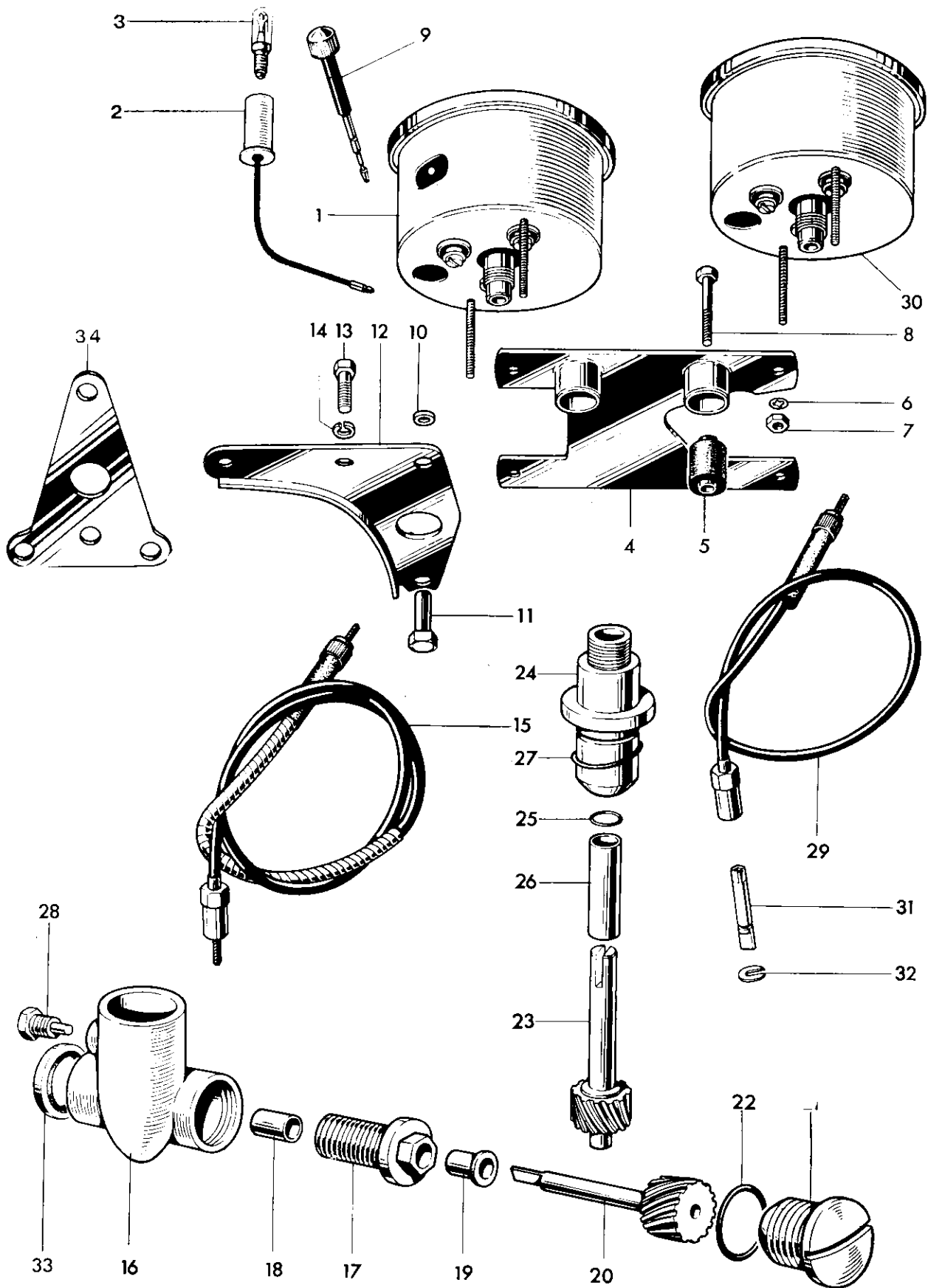


Fig. 34. SPEEDOMETER AND TACHOMETER

## SPEEDOMETER AND TACHOMETER

Ref. No.	Part No.	Description	Quantity	Remarks
1	99-0159	Speedometer head MPH (SSM5001/00)	1	
1	99-0160	Speedometer head KPH (SSM5001/01)	1	Alternative
2	99-0695	Bulb holder (554710)	1	
3	643	Bulb, 3.W. M.E.S.	1	
4	H1946	MOUNTING BRACKET	1	
5	H1929	Metalastik bush	2	
6	30-282-014-11	Washer	2	T100R
7	30-276-037-11	Nut	2	
8	S590	Bolt (1 $\frac{3}{8}$ in. U.H.)	2	
9	41-148-203-10	Trip control	1	
10	H1702	Distance piece	2	
11	H1701	Sleeve nut	2	T100S, T100C and T100T
12	H1668	Bracket (for U.S. models substitute line 34)	1	
13	14-0101/001	Bolt ( $\frac{1}{2}$ in. U.H.)	2	
14	S26-2	Spring washer	2	
15	D692	Speedometer cable (63 ins. long) (D692W inner only)	1	Smiths DF9110:00
16	E9438	TACHOMETER GEARBOX (Body E5757)	1	
17	E9332	Securing screw	1	
18	E5156	Bush	1	
19	Reference only	Flanged bush	1	
20	E5157	Driving gear	1	
21	E5759	End cap	1	
22	E6300	"O" ring	1	
23	E5578	Driven gear	1	
24	E6122	Driven gear housing	1	T100R
25	E6299	"O" ring	1	
26	Reference only	Bush	1	
27	E3309	"O" ring	1	
28	E5881	Set screw	1	
29	D578	Tachometer cable (D578W inner only)	1	
30	99-0166	Tachometer	1	
31	99-0173	Spade	1	
32	D494	Circlip	1	
33	E7351	Sealing washer	1	
34	H2138	Mounting bracket	1	T100C

*Printed in England by*  
WARWICK PRINTING COMPANY LIMITED  
WARWICK