



# REPLACEMENT PARTS CATALOGUE

FOR

# 1971 MODELS 45<sub>CU.IN.</sub> [750<sub>C.C.</sub>] TRIPLE

# TRIDENT T150

U.S.A. EDITION



# REPLACEMENT PARTS CATALOGUE

FOR 1971

## TRIDENT T150

TRIUMPH ENGINEERING COMPANY LIMITED  
MERIDEN WORKS · ALLESLEY · COVENTRY CV5 9AU · ENGLAND  
TELEPHONE COVENTRY 20221  
MERIDEN 331

TELEGRAMS "TRUSTY" COVENTRY  
TELEX "TRUSTY" 31305

# INTRODUCTION

The Triumph Engineering Co. Ltd. point out that the information contained in this catalog was complete and correct at the time of printing. Distributors will be informed of any subsequent alterations.

A plastic binder, of the type used for Workshop Manuals, is available to enable this catalog and all other 1971 season catalogs to be bound into one unit.

## GUARANTEE

Please refer to your local dealer or distributor for the latest terms of guarantee.

### Eastern U.S.A. Distributor:

Triumph Motorcycle Corporation,  
P.O. Box 6790,  
Towson,  
Baltimore 4,  
Maryland 21204.

Telex—Tricor Balt. 87728  
Telephone—301-252-1700

### Western U.S.A. Distributor:

Triumph Motorcycle Corporation,  
P.O. Box 2765,  
East Huntington Drive,  
Duarte,  
California 91010.

Telex—Tricor Duarte 675469  
Telephone—213-359-3221  
213-681-0255

## ENGINE AND FRAME NUMBERS

The engine number is located on the left side of the engine, immediately below the cylinder barrel to crankcase flange.

The frame number is located on the left side of the frame headlug, beneath the fork top lug and forward of the gasoline tank.

Both the engine and frame number should be quoted in full in any correspondence relating to the machine.

# PROPRIETARY GROUP

Ancillary equipment which is fitted to our motor cycles is of the highest quality and is guaranteed by the manufacturers and not by ourselves. Any repairs or claims should be directed to the actual makers or their local agents who will always give owners every possible assistance. The following are the addresses of the various manufacturers:—

## **CARBURETORS.**

Messrs. Amal Ltd.,  
Holdford Road,  
Witton,  
Birmingham, 6.

## **CHAINS.**

Renold Chains Ltd.,  
Wythenshawe,  
Manchester.

## **ELECTRICAL EQUIPMENT.**

Messrs. J. Lucas Ltd.,  
Gt. Hampton Street,  
Birmingham, 18.

## **TIRES.**

Dunlop Rubber Co. Ltd.,  
Fort Dunlop,  
Birmingham, 24.

The Avon Rubber Co. Ltd.,  
Melksham,  
Wilts.

## **SPARK PLUGS.**

Champion Sparking Plug Co. Ltd.,  
Feltham,  
Middlesex.

## **SPEEDOMETERS.**

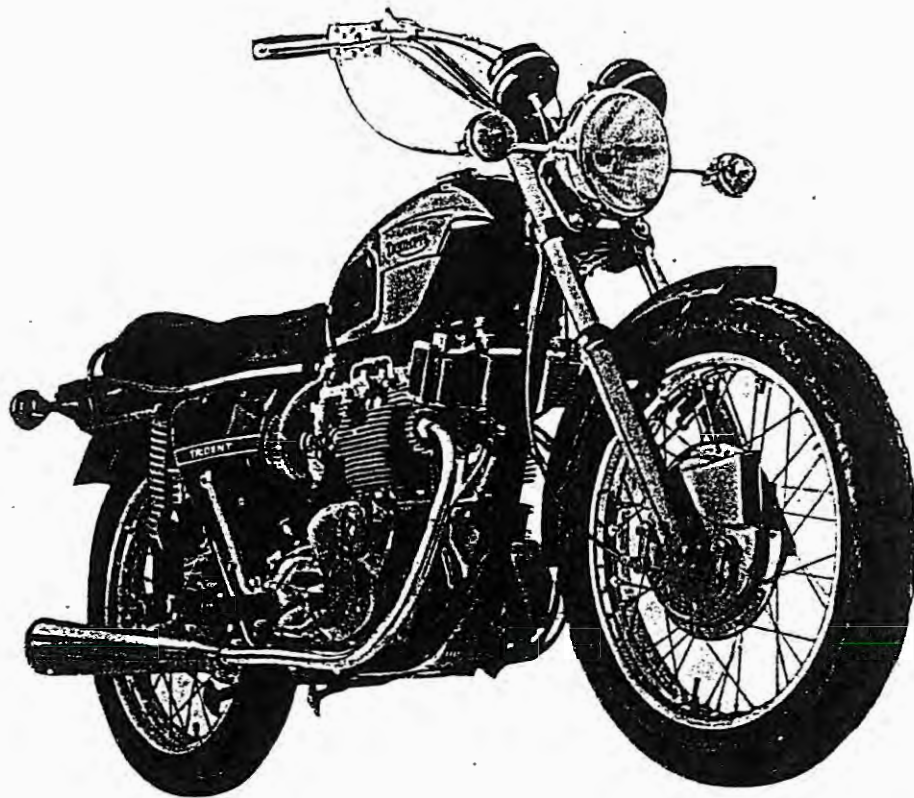
Messrs. Smiths Industries Ltd.,  
Cricklewood Works,  
London, N.W.2.

## **SUSPENSION UNITS.**

Messrs. Girling Ltd.,  
Birmingham Road,  
West Bromwich,  
Staffordshire.

# INDEX

|                              | Page           |                            | Page   |
|------------------------------|----------------|----------------------------|--------|
| AIR FILTER ... ..            | 61             | MANIFOLDS ... ..           | 23, 45 |
| ALTERNATOR ... ..            | 21             | MOTOR PLATES ... ..        | 43     |
| AUTO-ADVANCE UNIT ... ..     | 21             | MOTOR TORQUE STAY ... ..   | 43     |
|                              |                | MUFFLERS ... ..            | 45     |
| BATTERY CARRIER ... ..       | 61             |                            |        |
| BRAKE SWITCHES ... ..        | 69, 77         | OIL COOLER ... ..          | 55     |
|                              |                | OIL PUMP ... ..            | 13     |
| CAMSHAFT, INLET AND EXHAUST  | 9              | OIL TANK ... ..            | 59     |
| CARBURETOR ... ..            | 17             | OIL FILTER ... ..          | 13     |
| CENTRE STAND ... ..          | 39             | OVERSIZE PARTS ... ..      | 7      |
| CHAINS ... ..                | 37             |                            |        |
| CHAINCASE ... ..             | 35             | PISTONS ... ..             | 9      |
| CLUTCH ... ..                | 33             | PROP STAND ... ..          | 39     |
| CLUTCH LEVER ASSEMBLY ... .. | 67             | PUSH RODS ... ..           | 19     |
| COIL ... ..                  | 75             |                            |        |
| CONDENSER PACK ... ..        | 75             | REAR WHEEL ... ..          | 53     |
| CONNECTING RODS ... ..       | 9              | RECTIFIER ... ..           | 75     |
| CONTACT BREAKER ... ..       | 21             | REFLECTORS ... ..          | 55, 65 |
| CONTROL CABLES ... ..        | 69             | ROCKERS ... ..             | 15     |
| CONTROL LEVERS ... ..        | 67             |                            |        |
| CRANKCASE ... ..             | 11             | SIDE PANELS ... ..         | 63     |
| CRANKSHAFT ... ..            | 9              | SPARK PLUGS ... ..         | 75     |
| CYLINDERS ... ..             | 19             | SPEEDOMETER ... ..         | 73     |
| CYLINDER HEAD ... ..         | 15             | SPEEDOMETER GEARBOX ... .. | 53     |
|                              |                | STEERING DAMPER ... ..     | 49     |
| EXHAUST PIPES ... ..         | 45             | STEERING RACES ... ..      | 39, 47 |
| EXHAUST PIPE ADAPTOR ... ..  | 15             | SUSPENSION UNITS ... ..    | 41     |
|                              |                | SWINGING FORK ... ..       | 41     |
| FLASHERS ... ..              | 77             | SWITCHES ... ..            | 67     |
| FENDERS ... ..               | 65             |                            |        |
| FOOTRESTS ... ..             | 43, 45         | TABLE OF STANDARD HARDWARE | 78     |
| FRAME ... ..                 | 39             | TACHOMETER ... ..          | 73     |
| FRONT BRAKE... ..            | 51             | TACHOMETER GEARBOX ... ..  | 73     |
| FRONT BRAKE LEVER ... ..     | 67             | TAIL LAMP ... ..           | 65     |
| FRONT FORKS ... ..           | 47             | TAPPETS ... ..             | 19     |
| FRONT WHEEL ... ..           | 51             | TIMING GEARS ... ..        | 9      |
|                              |                | TOOLKIT ... ..             | 71     |
| GAS TANK ... ..              | 57             | TWIN SEAT ... ..           | 63     |
| GEARBOX ... ..               | 25, 27, 29, 31 |                            |        |
|                              |                | VALVES ... ..              | 15     |
| HANDLEBARS ... ..            | 67             | VALVE GUIDES ... ..        | 15     |
| HANDLEBAR MOUNTINGS ... ..   | 49             |                            |        |
| HEADLAMP ... ..              | 77             | WARNING LIGHTS ... ..      | 77     |
| HEAT SINK ... ..             | 75             | WIRING HARNESS ... ..      | 77     |
| HORN ... ..                  | 75             |                            |        |
|                              |                | ZENER DIODE ... ..         | 75     |
| KICKSTARTER ... ..           | 25             |                            |        |



### TRIDENT (T150) TECHNICAL DATA

|                    |     |     |                        |     |     |     |     |     |  |
|--------------------|-----|-----|------------------------|-----|-----|-----|-----|-----|--|
| Bore and stroke... | ... | ... | ...                    | ... | ... | ... | ... | ... | 67 x 70 mm.<br>2.67 x 2.751 ins.                               |
| Capacity ...       | ... | ... | ...                    | ... | ... | ... | ... | ... | 741 c.c. (45 cu. ins.)   |
| Compression ratio  | ... | ... | ...                    | ... | ... | ... | ... | ... | 9.5 : 1  |
| Spark plugs        | ... | ... | ...                    | ... | ... | ... | ... | ... | Champion N3  |
| Carburetors        | ... | ... | ...                    | ... | ... | ... | ... | ... | 3 Amal Concentric 626  |
|                    |     |     | Maia jet               | ... | ... | ... | ... | ... | 150  |
|                    |     |     | Needle jet             | ... | ... | ... | ... | ... | .106   |
|                    |     |     | Throttle valve         | ... | ... | ... | ... | ... | No. 3½   |
| Gearbox sprocket   | ... | ... | ...                    | ... | ... | ... | ... | ... | 19 teeth   |
| Chains ...         | ... | ... | Front                  | ... | ... | ... | ... | ... | ¾" Triplex x 82 links  |
|                    |     |     | Rear                   | ... | ... | ... | ... | ... | ⅝" x ⅜" x 108 links  |
| Capacities         | ... | ... | Fuel Tank              | ... | ... | ... | ... | ... | 4.2 U.S. galls. (3½ Imp. galls.)<br>(15.94 litres)             |
|                    |     |     | Oil Tank               | ... | ... | ... | ... | ... | 7.2 U.S. pints (6 Imp. pints)<br>(3.8 litres) working capacity |
|                    |     |     | Gearbox...             | ... | ... | ... | ... | ... | 1½ U.S. pints (1½ Imp. pints)<br>(750 c.c.)                    |
|                    |     |     | Primary Chaincase      | ... | ... | ... | ... | ... | ¾ U.S. pint (¾ Imp. pints)(350 c.c.)                           |
|                    |     |     | Front Forks (each leg) | ... | ... | ... | ... | ... | 190 c.c.   |
| Brakes ...         | ... | ... | Front, diameter...     | ... | ... | ... | ... | ... | 8" (20.32 cm.)   |
|                    |     |     | Rear, diameter ...     | ... | ... | ... | ... | ... | 7" (17.78 cm.)   |
| Tire size ...      | ... | ... | Front                  | ... | ... | ... | ... | ... | 4.10 x 19 ins.   |
|                    |     |     | Rear                   | ... | ... | ... | ... | ... | 4.10 x 19 ins.   |

# HOW TO USE THIS PARTS CATALOGUE

First check that the engine number of your machine is subsequent to that quoted on the title page.

Next consult the index on Page 4 for the parts or group of parts which you wish to locate. When you have located the parts make sure from the end columns that the part you have located does apply to your machine. If proprietary parts are listed only under manufacturers part numbers and marked 'reference only', they are not available from the factory.

List the quantities required as single units; do not ask for "2 pairs" or "3 dozen".

## PLEASE NOTE

THROUGHOUT THIS LIST, ASSEMBLIES ARE PRINTED IN CAPITALS AND THE COMPONENTS INCLUDED IN THAT ASSEMBLY ARE INDENTED IN THE DESCRIPTION COLUMN, REVERTING TO THE ORIGINAL ALIGNMENT WHEN THE ASSEMBLY IS COMPLETE. TO ORDER THE COMPLETE ASSEMBLY IT IS NECESSARY ONLY TO QUOTE THE ASSEMBLY NUMBER. ANY COMPONENT PARTS LISTED MAY ALSO BE OBTAINED SEPARATELY IF REQUIRED.

## SPECIAL WORKSHOP TOOLS

A COMPLETE LIST OF WORKSHOP TOOLS CAN BE MADE AVAILABLE BY EITHER CONTACTING YOUR DEALER OR APPLYING DIRECT TO THE TRIUMPH SERVICE DEPARTMENT. IN MOST CASES THESE TOOLS ARE VERY COSTLY AS THEY ARE MADE ENTIRELY FOR WORKSHOP USE, AND THEREFORE, IT IS NOT RECOMMENDED THAT THE PRIVATE OWNER PURCHASES THE TOOLS IN ORDER TO AID SERVICING THE MACHINE ONCE OR TWICE ONLY. IN THESE CIRCUMSTANCES IT IS FAR MORE ECONOMICAL TO GET IN TOUCH WITH A RECOGNISED DEALER.

## PISTON, PISTON RING AND BEARING OVERSIZES

### PISTONS (Complete with rings, gudgeon pins and circlips)

These are in effect "carton pack" assemblies

Compression ratio 9.5 : 1 { E9741 Std.  
E9762 +10  
E9763 +20  
E9764 +40

### PISTON RINGS

CP212 { 2 off E6838 Compression ring } Std.  
          { 1 off E9739 Scraper ring }  
CP212/10 { 2 off E9016 Compression ring } +10  
           { 1 off E9766 Scraper ring }  
CP212/20 { 2 off E9017 Compression ring } +20  
           { 1 off E9767 Scraper ring }  
CP212/40 { 2 off E9018 Compression ring } +40  
           { 1 off E9768 Scraper ring }

### BIG END BEARINGS SHELLS

E5998 Shell Std.  
E9023 Shell -10  
E9024 Shell -20  
E9025 Shell -30  
E9026 Shell -40

### MAIN BEARING SHELLS

E9027 -010 in. undersize  
E9028 -020 in. undersize  
E9029 -030 in. undersize  
E9030 -040 in. undersize

### CYLINDER BARREL

E6529 Std.  
E12507 +10  
E12508 +20  
E12509 +40



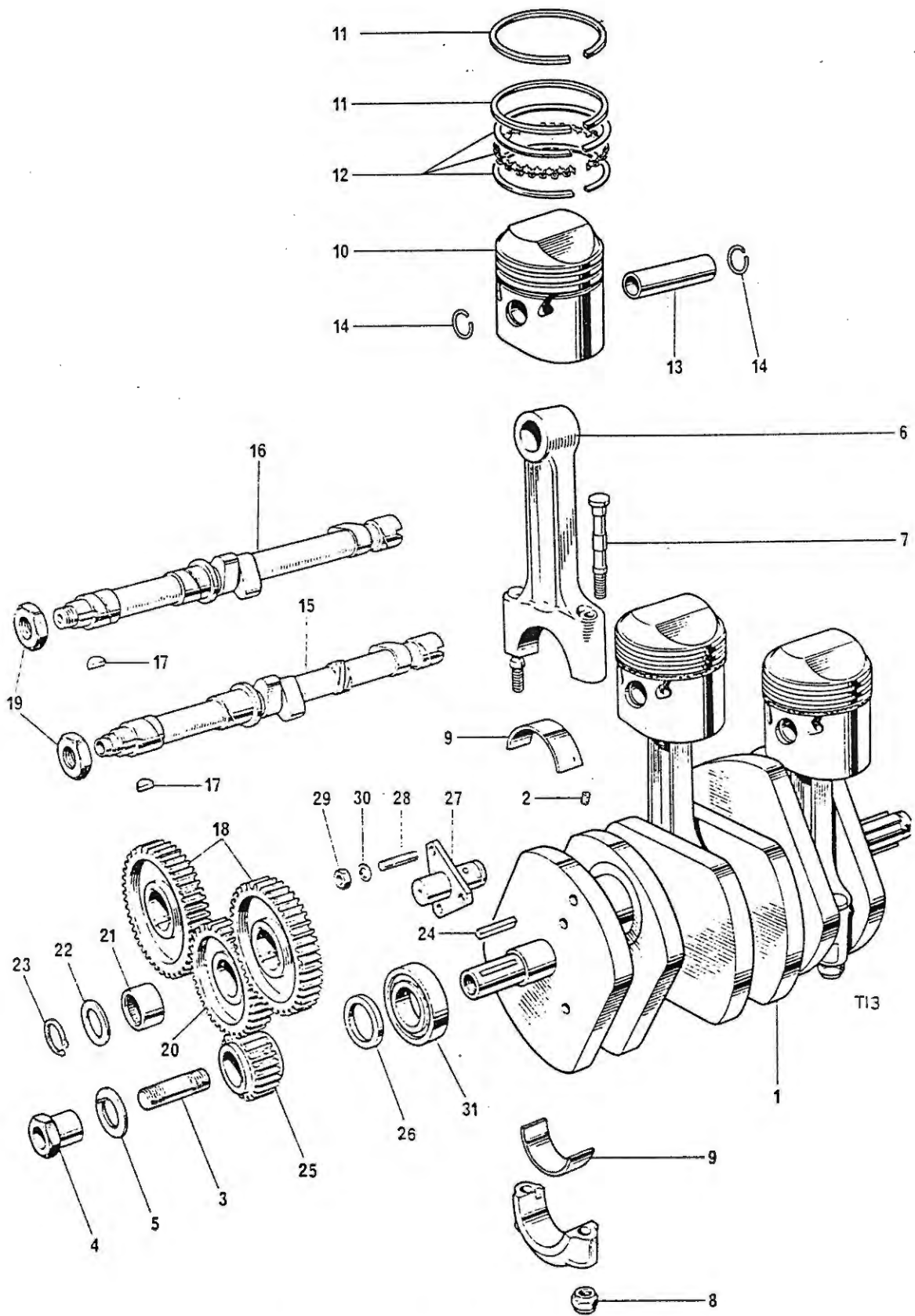


Fig. 1. CRANKSHAFT AND CONNECTING RODS

## CRANKSHAFT AND CONNECTING RODS

|    |         |  |   |
|----|---------|--|---|
| 1  | E8778   | CRANKSHAFT ASSEMBLY ... ..                   | 1 |
| 2  | E6577   | Oilway plug ... ..                           | 4 |
| 3  | S548    | Rotor stud ( $1\frac{3}{8}$ in. O.A.) ... .. | 1 |
| 4  | E8763   | Rotor nut ... ..                             | 1 |
| 5  | E3975   | Washer ... ..                                | 1 |
| 6  | E9740   | CON ROD ASSEMBLY ... ..                      | 3 |
| 7  | E9727   | Bolt con rod ... ..                          | 2 |
| 8  | S2016   | Nut, con rod... ..                           | 2 |
| 9  | E5998   | *Bearing, big end ... ..                     | 6 |
| 10 | E9741   | †PISTON ASSEMBLY ... ..                      | 3 |
| 11 | E6838   | ‡Taper piston ring ... ..                    | 2 |
| 12 | E9739   | Scraper ring ... ..                          | 1 |
| 13 | E6836   | Gudgeon pin ... ..                           | 1 |
| 14 | E6840   | Circlip ... ..                               | 2 |
| 15 | E8765   | Exhaust camshaft ... ..                      | 1 |
| 16 | E8764   | Inlet camshaft ... ..                        | 1 |
| 17 | E1558   | Key, camshaft ... ..                         | 2 |
| 18 | E12718  | Pinion camshaft ... ..                       | 2 |
| 19 | E6523   | Nut, camshaft ... ..                         | 2 |
| 20 | E12246  | Intermediate timing gear ... ..              | 1 |
| 21 | E7650   | Needle roller bearing ... ..                 | 1 |
| 22 | E12249  | Thrust washer ... ..                         | 1 |
| 23 | E8768   | Circlip ... ..                               | 1 |
| 24 | E3974   | Key—timing pinion and rotor ... ..           | 1 |
| 25 | E6524   | Timing pinion ... ..                         | 1 |
| 26 | E6173   | Distance piece ... ..                        | 1 |
| 27 | E12250  | Spindle, intermediate gear ... ..            | 1 |
| 28 | S547    | Stud ( $\frac{7}{8}$ in. O.A.) ... ..        | 3 |
| 29 | 14-0401 | Nut, intermediate gear ... ..                | 3 |
| 30 | S26-2   | Washer ... ..                                | 3 |
| 31 | E8780   | Main bearing (roller) ... ..                 | 1 |

\* Available in undersizes of  $-0.010"$ ,  $0.020"$ ,  $0.030"$ ,  $0.040"$

† Available in oversizes of  $+0.010"$ ,  $0.020"$ ,  $0.040"$

‡ Available in oversizes of  $+0.010$ ,  $0.020"$ ,  $0.040"$

} See page 7

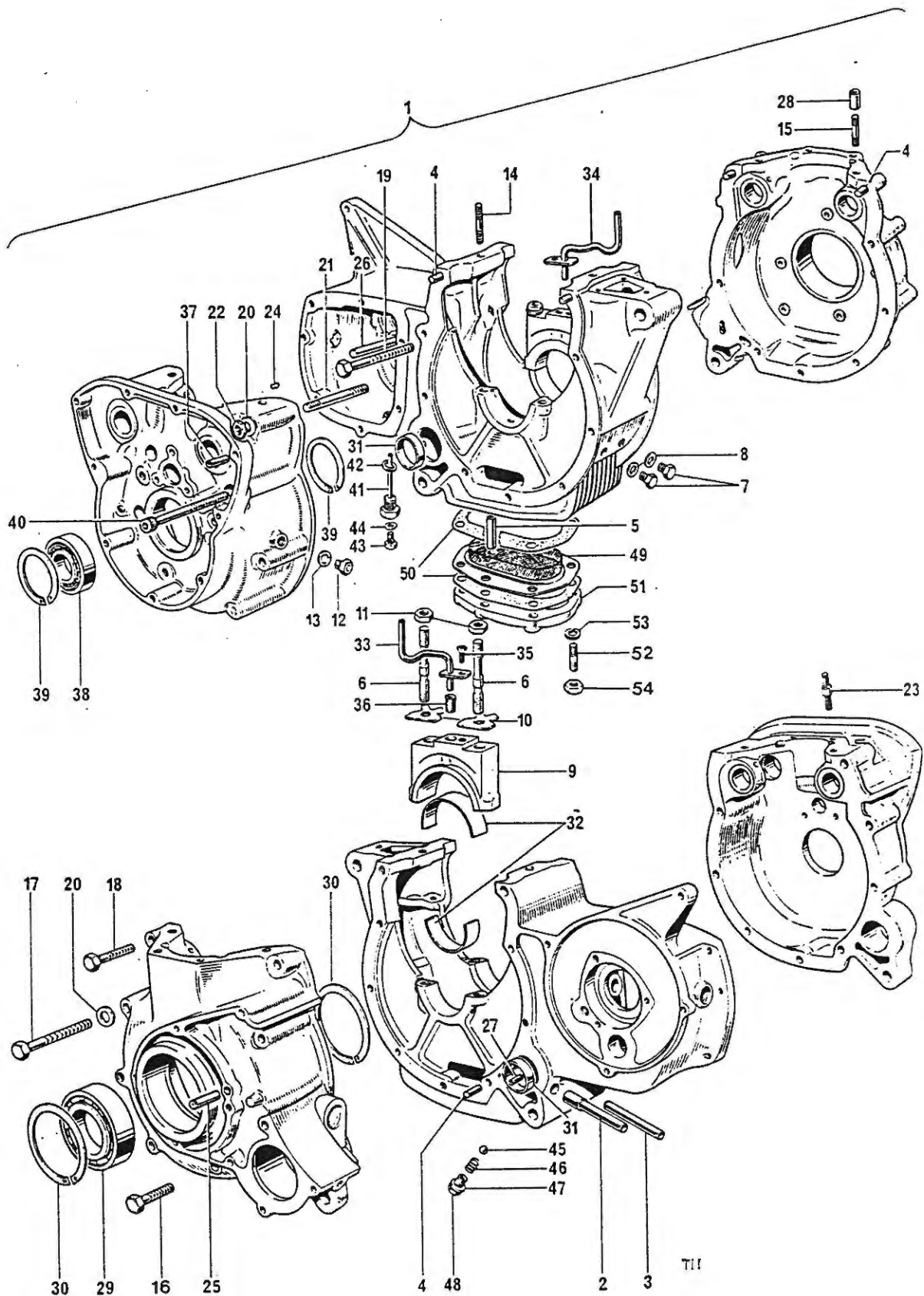


Fig. 2. CRANKCASES

| Ref. No.          | Part No. | DESCRIPTION   | QUANTITY | REMARKS      |
|-------------------|----------|---|----------|--------------|
| <b>CRANKCASES</b> |          |   |          |              |
| 1                 | E11008   | CRANKCASES ... ..   | 1        |              |
| 2                 | E6573    | Oil return pipe stub ... ..                               | 1        |              |
| 3                 | E6574    | Oil feed pipe stub ... ..                                 | 1        |              |
| 4                 | E8774    | Dowel T.S. and D.S. ... ..                                | 4        |              |
| 5                 | E6578    | Scavenge tube ... ..                                      | 1        |              |
| 6                 | E8745    | Waisted stud, main bearing cap ... ..                     | 4        |              |
| 7                 | 14-6113  | Plug, main bearing oilways ... ..                         | 2        |              |
| 8                 | E8776    | Washer ... ..   | 2        |              |
| 9                 | E7423    | Cap, main bearing ... ..                                  |          | Not serviced |
| 10                | E11129   | Tab washer ... ..   | 4        |              |
| 11                | 14-0303  | Nut ... ..  | 4        |              |
| 12                | E8755    | Plug, timing aperture ... ..                              | 1        |              |
| 13                | E1523    | Washer, timing aperture ... ..                            | 1        |              |
| 14                | S1931    | Stud, cylinder base (1 $\frac{1}{2}$ in. O.A.) ... ..     | 4        |              |
| 15                | E8738    | Stud, cylinder at dowel (1 $\frac{1}{8}$ in. O.A.) ... .. | 2        |              |
| 16                | 14 6218  | Clamping bolt ... ..                                      | 2        |              |
| 17                | 14-6226  | Clamping bolt ... ..                                      | 9        |              |
| 18                | 14-6220  | Clamping bolt ... ..                                      | 2        |              |
| 19                | 14-6223  | Clamping bolt ... ..                                      | 1        |              |
| 20                | S25-3    | Washer ... ..   | 9        |              |
| 21                | 14-1427  | Stud, T.S. crankcase ... ..                               | 2        |              |
| 22                | 14-0302  | Nut ... ..  | 2        |              |
| 23                | S1912    | Stud, cylinder base ... ..                                | 4        |              |
| 24                | T912     | Peg, needle roller thrust ... ..                          | 1        |              |
| 25                | E11051   | Spindle, intermediate gear (oil pump) ... ..              | 1        |              |
| 26                | T3989    | Selector spindle ... ..                                   | 1        |              |
| 27                | E1532    | Dowel, oil pump to crankcase ... ..                       | 1        |              |
| 28                | E8751    | Dowel, cylinder base ... ..                               | 2        |              |
| 29                | E1591    | D.S. main bearing ... ..                                  | 1        |              |
| 30                | E6025    | Circlip, main bearing ... ..                              | 2        |              |
| 31                | E9856    | Sleeve at 'O' ring ... ..                                 | 2        |              |
| 32                | E6023    | *Main Bearing Shell ... ..                                | 4        |              |
| 33                | E8748    | Tappet oil feed pipe T.S. ... ..                          | 1        |              |
| 34                | E8746    | Tappet oil feed pipe D.S. ... ..                          | 1        |              |
| 35                | T1150    | Screw, pipe to bearing cap ... ..                         | 2        |              |
| 36                | E9843    | Sealing rubber ... ..                                     | 4        |              |
| 37                | T989     | Dowel ... ..  | 2        |              |
| 38                | E8780    | Main bearing T.S. (roller) ... ..                         | 1        |              |
| 39                | E6026    | Circlip ... ..  | 2        |              |
| 40                | S678     | Socket screw (4 in. U.H.) ... ..                          | 1        |              |
| 41                | T3851    | Gearbox drain plug ... ..                                 | 1        |              |
| 42                | E2441    | Fibre washer ... ..                                       | 1        |              |
| 43                | S543     | Level plug ... ..   | 1        |              |
| 44                | T1257    | Fibre washer ... ..                                       | 1        |              |
| 45                | D2370    | Non return valve ball ( $\frac{7}{16}$ in. dia.) ... ..   | 1        |              |
| 46                | E6567    | Spring ... ..   | 1        |              |
| 47                | E12792   | Joint washer (copper) ... ..                              | 1        |              |
| 48                | E6584    | Plug ... ..   | 1        |              |
| 49                | E6501    | Scavenge filter ... ..                                    | 1        |              |
| 50                | E11444   | Gasket ... ..   | 2        |              |
| 51                | E6580    | Cover ... ..  | 1        |              |
| 52                | E11349   | Stud, sump plate ... ..                                   | 6        |              |
| 53                | D2320    | Spring washer ... ..                                      | 6        |              |
| 54                | 14-0301  | Nut ... ..  | 6        |              |

\*Available in undersizes of 0.010", 0.020", 0.030", 0.040" (see page 7).

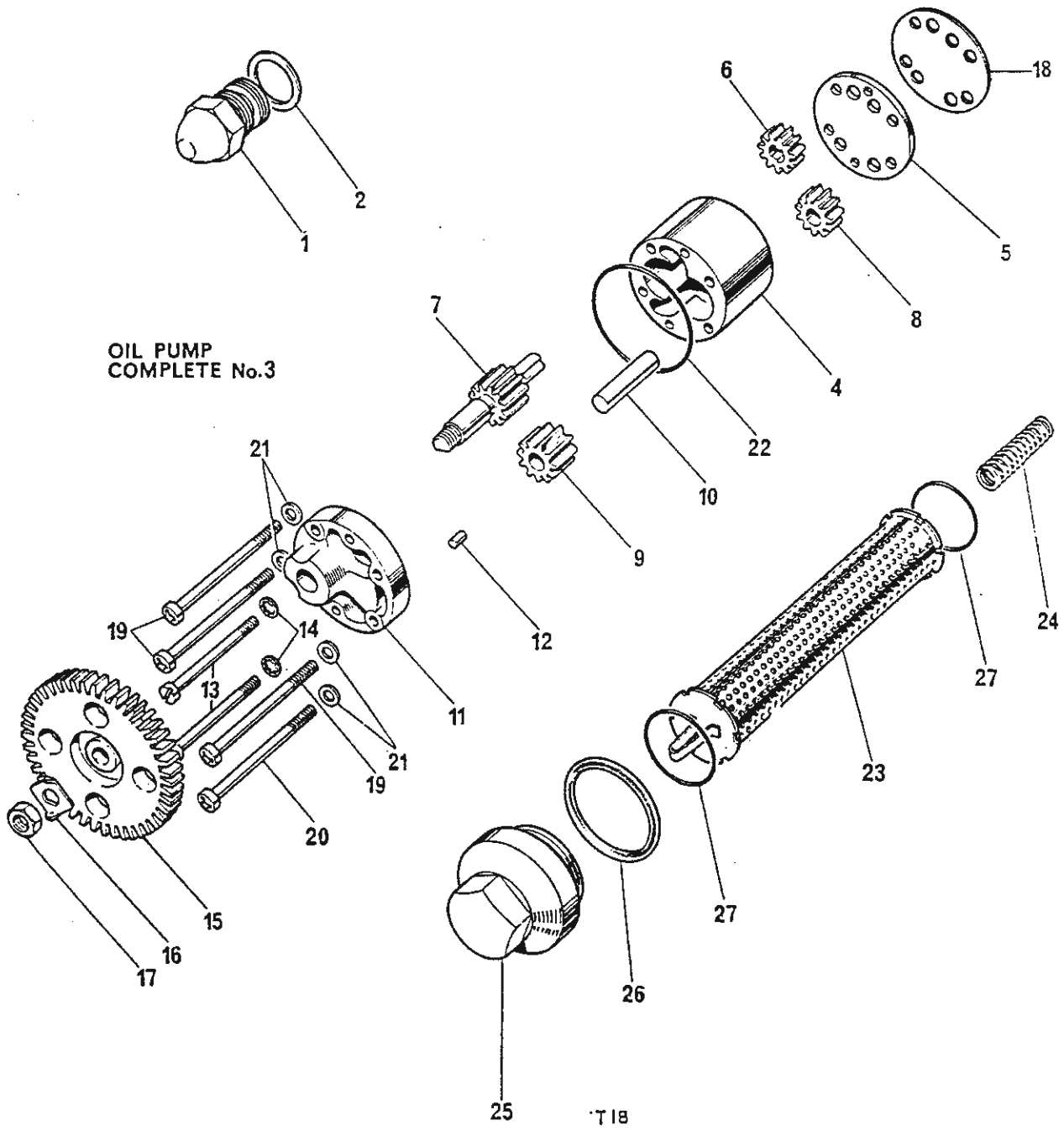


Fig. 3. OIL PUMP, RELEASE VALVE AND FILTER

**OIL PUMP RELEASE VALVE AND OIL FILTER**

|    |         |  |   |              |
|----|---------|--|---|--------------|
| 1  | E12369  | Oil pressure release valve ... ..                      | 1 |              |
| 2  | E1670   | Joint washer ... ..                                    | 1 |              |
| 3  | E11351  | OIL PUMP COMPLETE ... ..                               | 1 |              |
| 4  | E6430   | Oil pump, body ... ..                                  | 1 | Not serviced |
| 5  | E6502   | Base plate ... ..                                      | 1 |              |
| 6  | E6455   | Drive feed gear ... ..                                 | 1 |              |
| 7  | E9887   | Drive scavenge gear ... ..                             | 1 |              |
| 8  | E6038   | Driven feed gear ... ..                                | 1 |              |
| 9  | E6039   | Driven scavenge gear ... ..                            | 1 |              |
| 10 | E6454   | Driven gear spindle ... ..                             | 1 |              |
| 11 | E9885   | Cover ... ..   | 1 |              |
| 12 | E6459   | Dowel, cover to body ... ..                            | 1 |              |
| 13 | S559    | Screw, cover to body (2 in. U.H.) ... ..               | 2 |              |
| 14 | E8731   | Washer, cover to pump screw ... ..                     | 2 |              |
| 15 | E9886   | Driven gear ... ..                                     | 1 |              |
| 16 | E11353  | Tab washer ... ..                                      | 1 |              |
| 17 | 14-0402 | Nut ... ..   | 1 |              |
| 18 | E11442  | Gasket, oil pump to crankcase ... ..                   | 1 |              |
| 19 | E10003  | Screw, pump to crankcase (2½ in. U.H.) ... ..          | 3 |              |
| 20 | E9601   | Screw, pump to crankcase at dowel (2¾ in. U.H.) ... .. | 1 |              |
| 21 | E8732   | Washer, pump to crankcase ... ..                       | 4 |              |
| 22 | E6570   | Seal, pump to crankcase ... ..                         | 1 |              |
| 23 | E6571   | Oil filter element ... ..                              | 1 |              |
| 24 | E6130   | Spring ... ..  | 1 |              |
| 25 | E11270  | Cap ... ..   | 1 |              |
| 26 | E11070  | 'O' ring ... ..  | 1 |              |
| 27 | E8779   | Filter seal ... ..                                     | 2 |              |

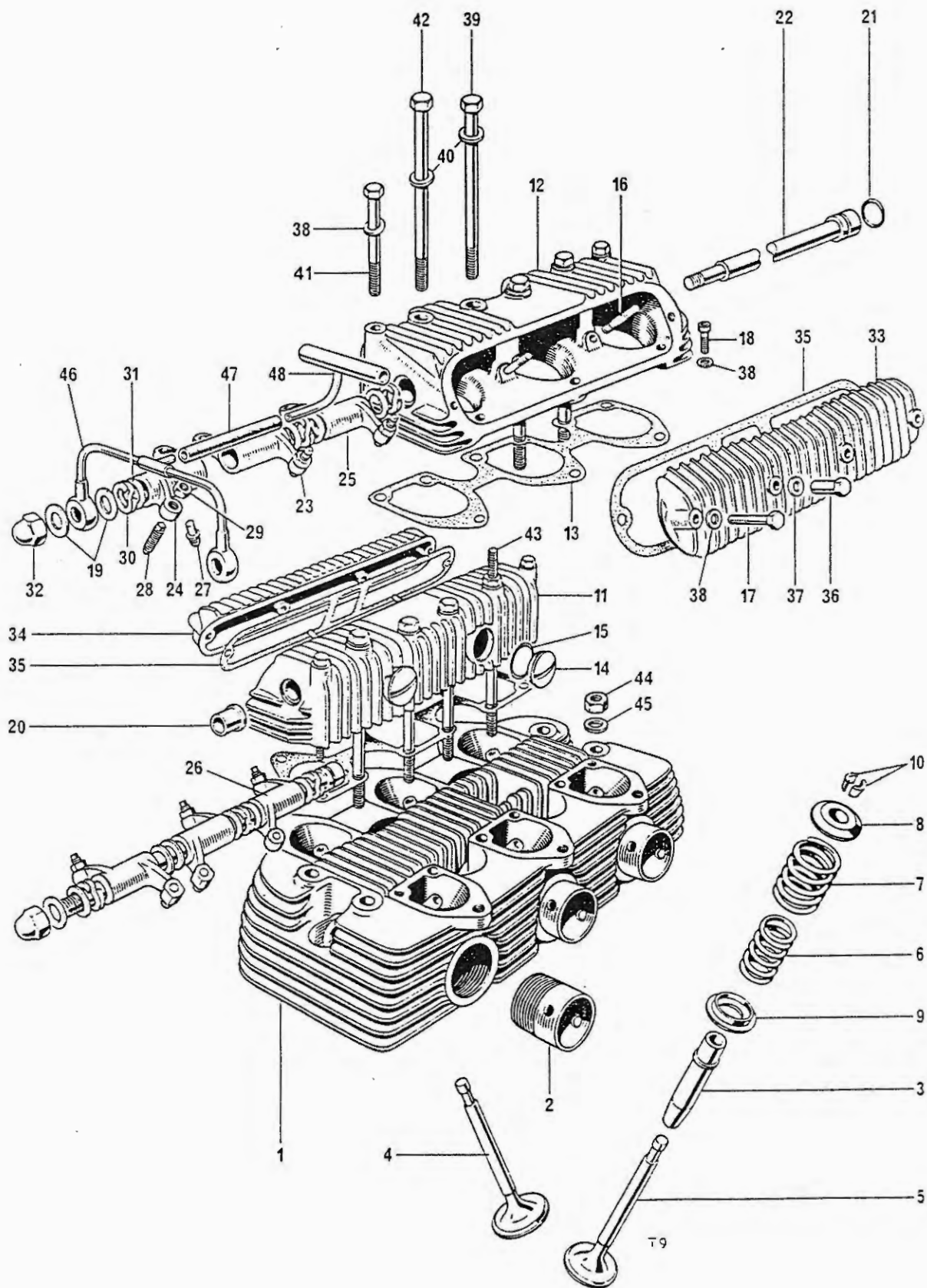


Fig. 4. CYLINDER HEAD AND ROCKER BOXES

**CYLINDER HEAD AND ROCKER BOXES**

|    |         |   |    |  |
|----|---------|---|----|--|
| 1  | E8781   | CYLINDER HEAD ... ..  | 1  |  |
| 2  | E9510   | Exhaust pipe adaptor ... ..   | 3  |  |
| 3  | E6420   | Valve guide ... ..  | 6  |  |
| 4  | E6422   | Inlet valve ... ..  | 3  |  |
| 5  | E6423   | Exhaust valve ... ..  | 3  |  |
| 6  | E8787   | Inner, valve spring (White and red paint dabs) ... ..                         | 6  |  |
| 7  | E8788   | Outer, valve spring (White and red paint dabs) ... ..                         | 6  |  |
| 8  | E8720   | Top collar ... ..   | 6  |  |
| 9  | E8789   | Bottom cup ... ..   | 6  |  |
| 10 | 99-0062 | Split cotter ... ..   | 12 |  |
| 11 | E6561   | Inlet rocker box ... ..   | 1  |  |
| 12 | E6562   | Exhaust rocker box ... ..   | 1  |  |
| 13 | E8773   | Rocker box gasket ... ..  | 2  |  |
| 14 | T2166   | Rocker box cap ... ..   | 4  |  |
| 15 | E8782   | "O" ring cap ... ..   | 4  |  |
| 16 | 14-1401 | Stud, rocker box cover ... ..   | 4  |  |
| 17 | 14-0202 | Bolt, rocker box cover ... ..   | 4  |  |
| 18 | 14-7004 | Screw ... ..  | 6  |  |
| 19 | E1335   | Copper washer ... ..  | 4  |  |
| 20 | E6018   | Bush, T.S. for rocker spindle ... ..  | 2  |  |
| 21 | E3548   | "O" ring, D.S. bush ... ..  | 2  |  |
| 22 | E9558   | Rocker spindle ... ..   | 2  |  |
| 23 | E11288  | ROCKER LEVER, T.S. INLET/CENTRE EXHAUST ... ..                                | 2  |  |
| 24 | E11287  | ROCKER LEVER, T.S. EXHAUST/CENTRE INLET ... ..                                | 2  |  |
| 25 | E11290  | ROCKER LEVER, EXHAUST D.S. ... ..   | 1  |  |
| 26 | E11289  | ROCKER LEVER, INLET D.S. ... ..   | 1  |  |
| 27 | E10070  | Ball pin ... ..   | 6  |  |
| 28 | E8783   | Adjusting pin ... ..  | 6  |  |
| 29 | 14-0402 | Locknut ... ..  | 6  |  |
| 30 | E1574   | Thackeray washer ... ..   | 6  |  |
| 31 | E1575   | Plain washer ... ..   | 12 |  |
| 32 | S550    | Dome nut ... ..   | 2  |  |
| 33 | E6564   | Inspection cover, exhaust ... ..  | 1  |  |
| 34 | E6563   | Inspection cover, Inlet ... ..  | 1  |  |
| 35 | E11445  | Gasket ... ..   | 2  |  |
| 36 | E9237   | Sleeve nut ... ..   | 4  |  |
| 37 | E9239   | Plain washer ... ..   | 4  |  |
| 38 | S25-1   | Washer ... ..   | 8  |  |
| 39 | E8820   | Bolt, short rockerbox to barrel ( $\frac{5}{16}$ " x $4\frac{1}{2}$ ") ... .. | 4  |  |
| 40 | E9240   | Washer ... ..   | 8  |  |
| 41 | 14-6211 | Bolt, rocker box to head ... ..   | 4  |  |
| 42 | E8819   | Bolt, long rocker box to barrel ( $\frac{5}{16}$ " x $4\frac{1}{2}$ ")... ..  | 2  |  |
| 43 | E10280  | Bolt, torque stay, rocker box to barrel ( $5\frac{1}{2}$ in.) ... ..          | 2  |  |
| 44 | 14-0303 | Nut ... ..  | 4  |  |
| 45 | F2184   | Washer ... ..   | 4  |  |
| 46 | E11168  | Rocker pipe ... ..  | 1  |  |
| 47 | E11175  | Connecting tube ... ..  | 1  |  |
| 48 | E11172  | Oil feed pipe ... ..  | 1  |  |



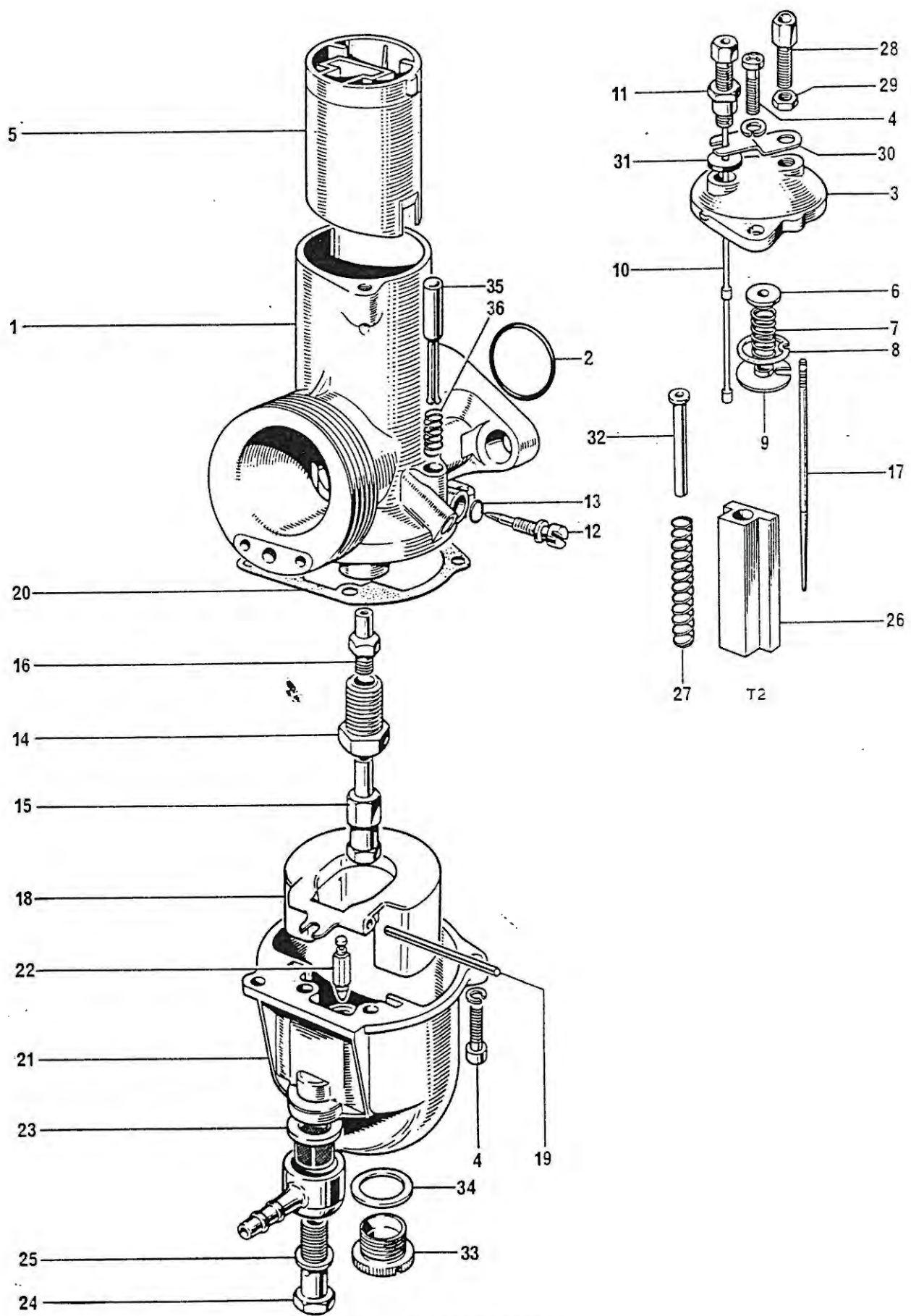


Fig. 5. CARBURETORS

**CARBURETORS**

|    |         |                                   |   |                   |                |
|----|---------|-----------------------------------|---|-------------------|----------------|
| 1  | D3373   | CARBURETOR R.H. (Amal R626/47)    | 1 |                   |                |
| 1  | D3374   | CARBURETOR CENTRE (Amal R626/49)  | 1 |                   |                |
| 1  | D3375   | CARBURETOR L.H. (Amal L626/48)    | 1 |                   |                |
| 2  | 622/101 | 'O' ring seal (99-0522)           | 3 |                   |                |
| 3  | 622/097 | Mixing chamber top (99-1019)      | 1 | } Each Carburetor |                |
| 4  | 622/086 | Screw (99-0521)                   | 4 |                   |                |
| 5  | 622/060 | Throttle valve (No. 3½) (99-0506) | 1 |                   |                |
| 6  | D1959   | Top spring abutment               | 1 |                   |                |
| 7  | D1960   | Spring                            | 1 |                   |                |
| 8  | 622/067 | Needle clip (99-0510)             | 1 |                   |                |
| 9  | D1987   | Bottom spring abutment...         | 1 |                   |                |
| 10 | D1984   | Throttle rod assembly             | 1 |                   |                |
| 11 | E9253   | Locknut                           | 1 |                   |                |
| 12 | 622/076 | Pilot air screw (99-0515)         | 1 |                   |                |
| 13 | 622/082 | Friction 'O' ring (99-0520)       | 1 |                   |                |
| 14 | 622/128 | Jet holder (99-0519)              | 1 |                   |                |
| 15 | 376/100 | Main jet (150) (99-1020)          | 1 |                   |                |
| 16 | 622/122 | Needle jet (106) (99-1035)        | 1 |                   |                |
| 17 | 622/124 | Needle (Standard) (99-1036)       | 1 |                   |                |
| 18 | 622/069 | Float (99-0512)                   | 1 |                   |                |
| 19 | 622/071 | Float spindle (99-0513)           | 1 |                   |                |
| 20 | 622/073 | Joint washer (99-0514)            | 1 |                   |                |
| 21 | 622/050 | Float chamber (99-0506)           | 1 |                   |                |
| 22 | 622/068 | Float needle (99-0511)            | 1 |                   |                |
| 23 | 376/093 | Filter (99-0438)                  | 1 |                   |                |
| 24 | 622/078 | Banjo bolt (99-0517)              | 1 |                   |                |
| 25 | 13/163  | Fibre washer (99-1100)            | 1 |                   |                |
| 26 | 622/062 | Air slide (99-1021)               | 1 |                   |                |
| 27 | 622/065 | Spring (99-0509)                  | 1 |                   |                |
| 28 | 4/035   | Cable adjuster (99-1024)          | 1 |                   |                |
| 29 | 5/077   | Locknut (99-0224)                 | 1 |                   |                |
| 30 | 622/125 | Clip (99-1022)                    | 1 |                   |                |
| 31 | 622/126 | Sealing rubber (99-1023)          | 1 |                   |                |
| 32 | 622/134 | Air slide guide tube (99-1051)    | 1 |                   |                |
| 33 | 622/147 | Drain plug (99-1152)              | 1 |                   |                |
| 34 | 622/151 | Washer (99-1153)                  | 1 |                   |                |
| 35 | 622/089 | Tickler pin                       | 1 |                   | Reference only |
| 36 | 14/032  | Tickler pin spring                | 1 |                   | Reference only |

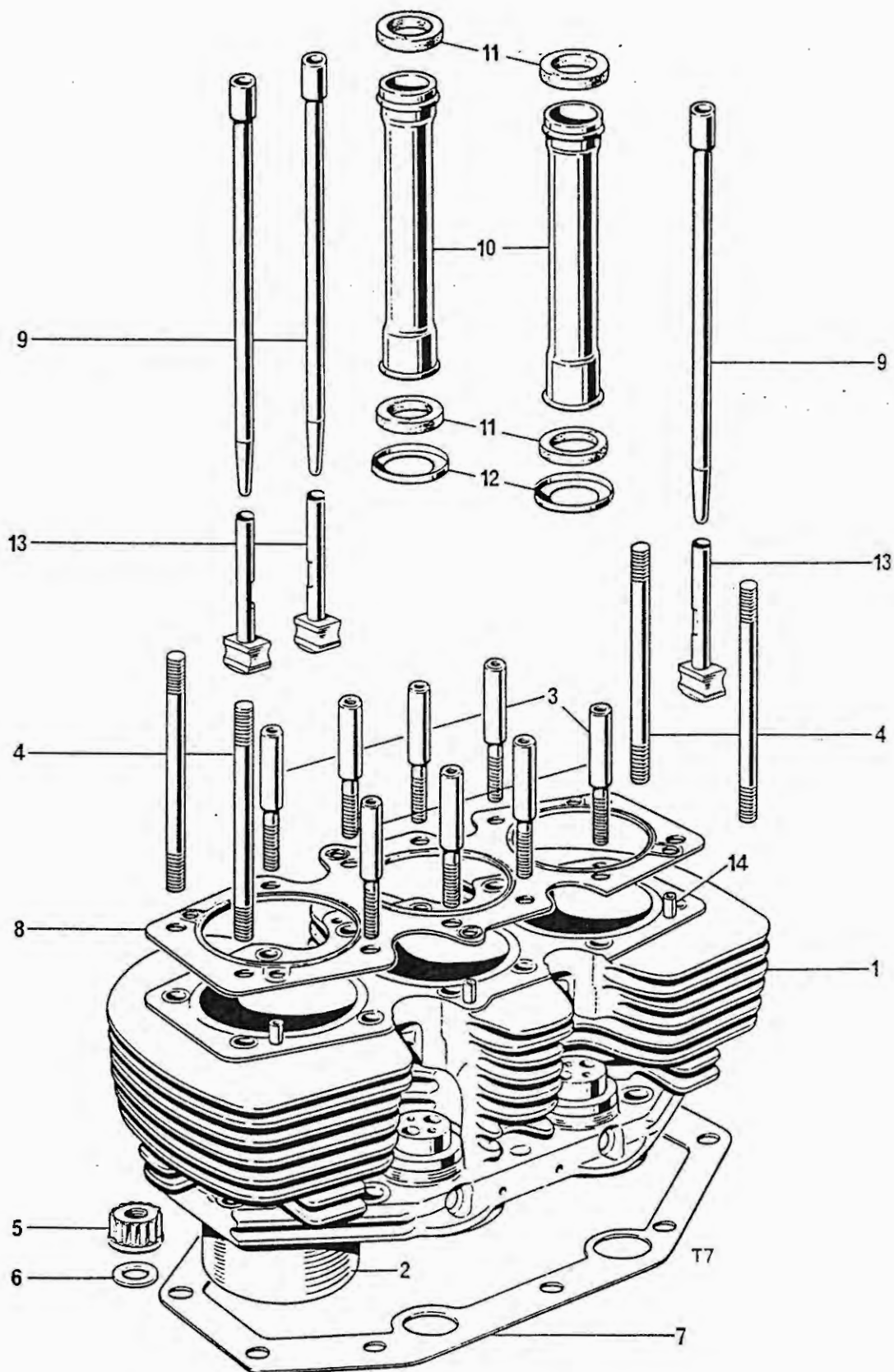


Fig. 6. CYLINDER BARREL, PUSH ROD AND TUBES, TAPPETS

**CYLINDER BARREL, PUSH RODS AND TUBES, TAPPET BLOCKS**

|    |        |   |     |     |     |     |    |
|----|--------|---|-----|-----|-----|-----|----|
| 1  | E6529  | CYLINDER BARREL C/W LINERS                      | ... | ... | ... | ... | 1  |
| 2  | E8914  | Cylinder liner                                  | ... | ... | ... | ... | 3  |
| 3  | E8817  | Pillar stud                                     | ... | ... | ... | ... | 8  |
| 4  | S686   | Stud, barrel to head ( $4\frac{5}{8}$ in. O.A.) | ... | ... | ... | ... | 4  |
| 5  | S692   | Base nut (12 point)                             | ... | ... | ... | ... | 10 |
| 6  | E8770  | Washer  | ... | ... | ... | ... | 10 |
| 7  | E6496  | Cylinder base gasket                            | ... | ... | ... | ... | 1  |
| 8  | E11733 | Cylinder head gasket                            | ... | ... | ... | ... | 1  |
| 9  | E11238 | Push rod  | ... | ... | ... | ... | 6  |
| 10 | E6955  | Push rod tube                                   | ... | ... | ... | ... | 4  |
| 11 | E4752  | Sealing rubber                                  | ... | ... | ... | ... | 8  |
| 12 | E4746  | Bottom cup                                      | ... | ... | ... | ... | 4  |
| 13 | E8917  | Tappet  | ... | ... | ... | ... | 6  |
| 14 | E1532  | Dowel   | ... | ... | ... | ... | 6  |

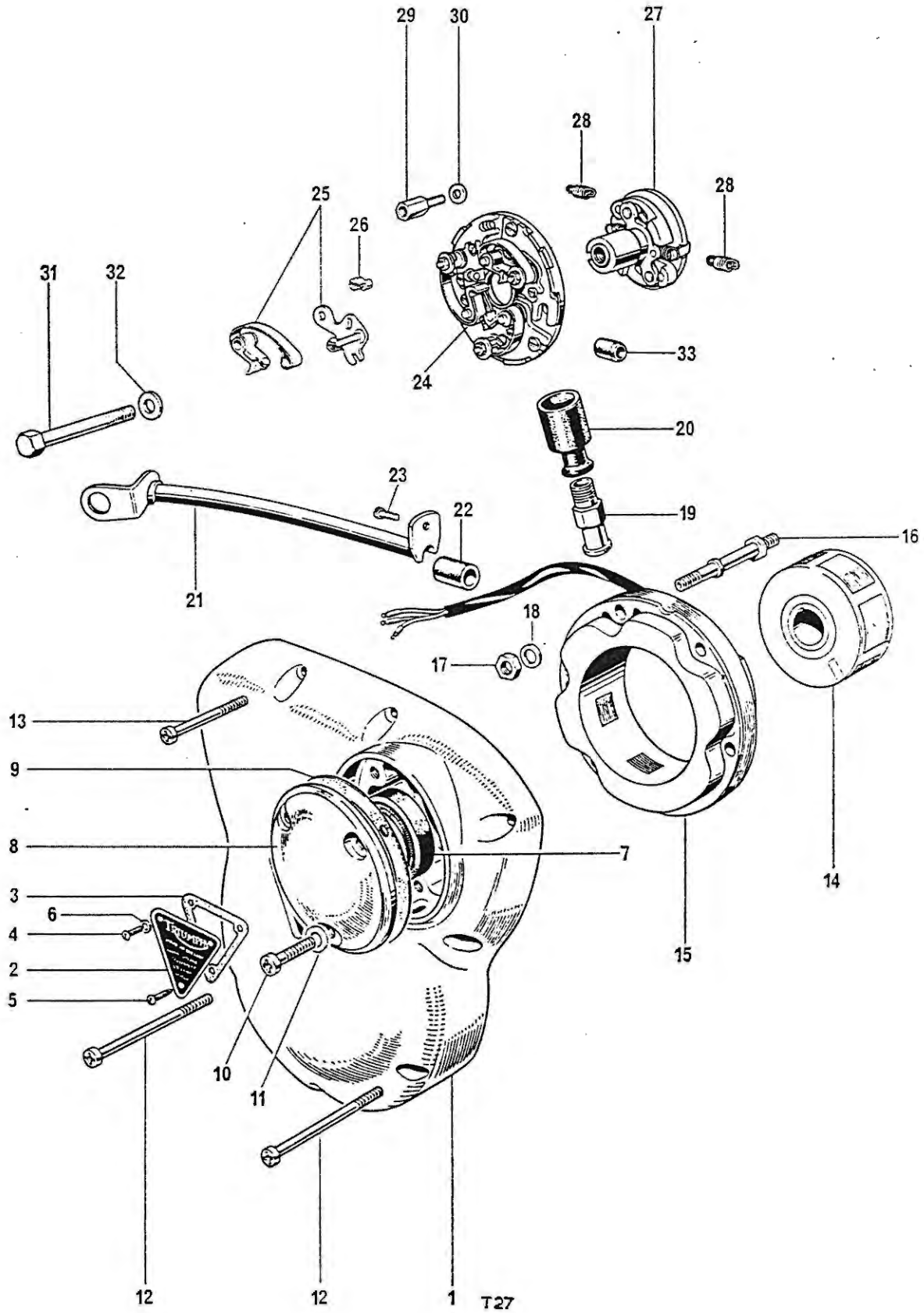


Fig. 7. TIMING COVER AND CONTACT BREAKER

**TIMING COVER AND CONTACT BREAKER**

|            |          |  |   |  |
|------------|----------|--|---|--|
| 1          | E6432    | Timing cover ... ..  | 1 |  |
| 2          | E8762    | Cover, timing aperture ... ..                                    | 1 |  |
| 3          | E11440   | Joint washer ... ..  | 1 |  |
| 4          | E10007   | Screw ( $\frac{5}{16}$ in. U.H.) ... ..                          | 2 |  |
| 5          | E10006   | Pointer screw ... ..   | 1 |  |
| 6          | E9266    | Washer ... ..  | 3 |  |
| 7          | E4568    | Oil seal ... ..  | 1 |  |
| 8          | E6519    | C:B. cover ... ..  | 1 |  |
| 9          | E11441   | Gasket C:B. cover ... ..   | 1 |  |
| 10         | F4715    | Screw ( $\frac{13}{32}$ in. U.H.) ... ..                         | 3 |  |
| 11         | H430     | Washer ... ..  | 3 |  |
| 12         | 14-6612  | Screw ... ..   | 3 |  |
| 13         | 14-6608  | Screw ... ..   | 6 |  |
| 14         | 54213902 | Rotor (99-1138)—RM 20 ... ..                                     | 1 |  |
| 15         | 47209    | Stator (99-1016)—RM 20 ... ..                                    | 1 |  |
| 16         | E6522    | Stud, alternator mounting ... ..                                 | 3 |  |
| 17         | S1852    | Nut, alternator mounting ... ..                                  | 3 |  |
| 18         | S25-3    | Washer ... ..  | 3 |  |
| 19         | E8760    | Cable seal nut ... ..  | 1 |  |
| 20         | E4144    | Grommet ... ..   | 1 |  |
| 21         | E8757    | Cover, alternator leads ... ..                                   | 1 |  |
| 22         | E8756    | Rubber ferrule ... ..  | 1 |  |
| 23         | H916     | Screw, lead cover to crankcase ( $\frac{5}{16}$ in. U.H.) ... .. | 1 |  |
| 24         | 47640    | CONTACT BREAKER 7CA (99-1233) ... ..                             | 1 |  |
| 25         | 54419828 | Contact set (99-1014) ... ..                                     | 3 |  |
| 26         | 54419220 | Adjusting screw (99-0769) ... ..                                 | 3 |  |
| 27         | 54419867 | AUTO ADVANCE UNIT (99-1015) ... ..                               | 1 |  |
| 28         | 54417992 | Spring (99-1234) ... ..  | 2 |  |
| 29         | E6521    | Pillar bolt ... ..   | 3 |  |
| 30         | E6559    | Washer ... ..  | 3 |  |
| 31         | 14-0208  | Bolt C.B. ... ..   | 1 |  |
| 32         | S25-43   | Washer ... ..  | 1 |  |
| 33         | E8756    | Grommet ... ..   | 1 |  |
| Not illus. | H2123    | Distance piece, stator ... ..                                    | 6 |  |

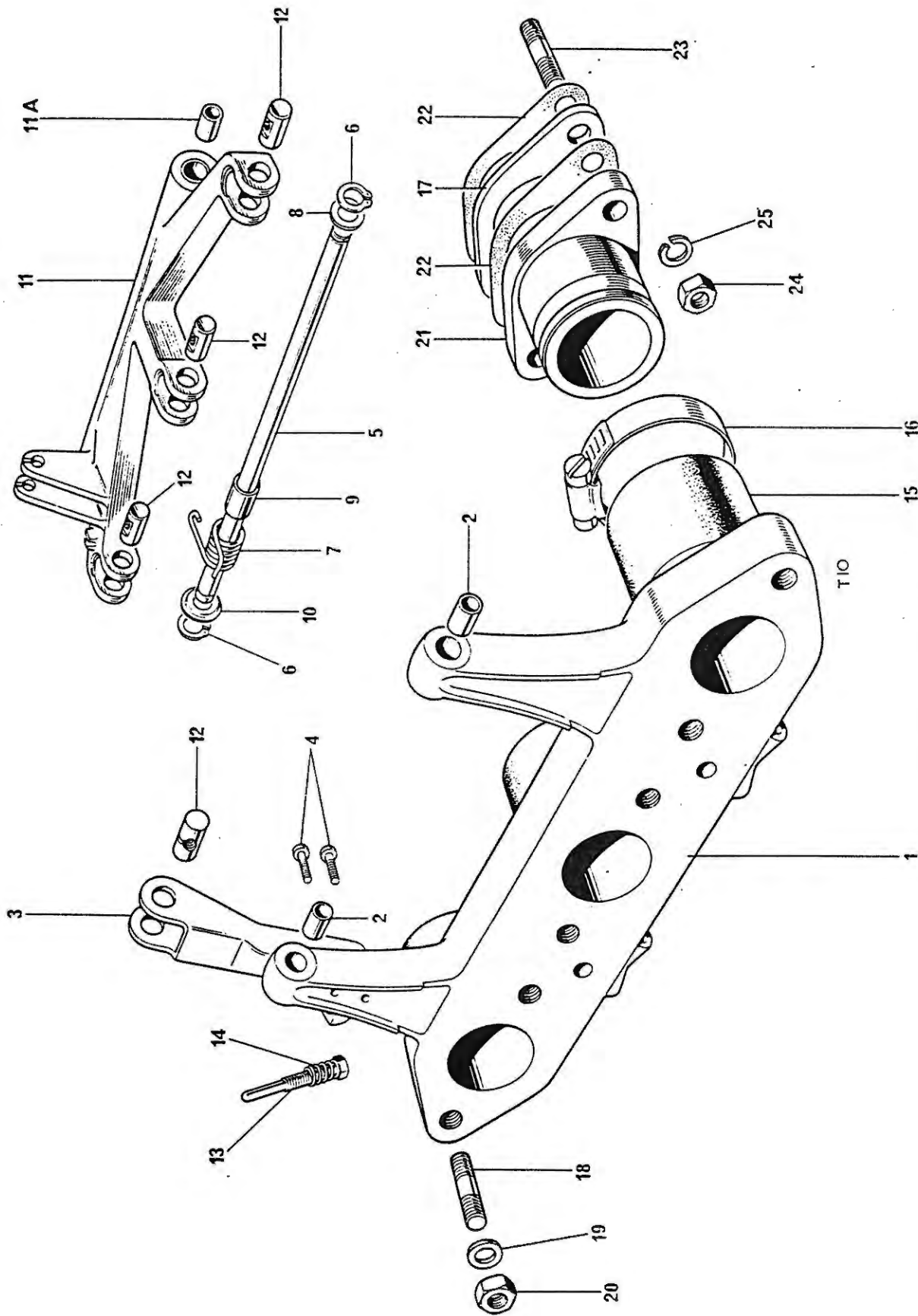


FIG. 8. MANIFOLD AND THROTTLE LINKAGE

**MANIFOLD AND THROTTLE LINKAGE**

|     |         |   |   |  |
|-----|---------|---|---|--|
| 1   | E11303  | ADAPTOR c/w BUSHES                            | 1 |  |
| 2   | E9073   | Bush  | 2 |  |
| 3   | E9242   | Support arm                                   | 1 |  |
| 4   | S774    | Screw self-tapping ( $\frac{5}{16}$ in. U.H.) | 2 |  |
| 5   | E9251   | Spindle                                       | 1 |  |
| 6   | E9255   | Circlip                                       | 2 |  |
| 7   | E9880   | Return spring                                 | 1 |  |
| 8   | E10245  | Washer  | 1 |  |
| 9   | E9820   | Spacer  | 1 |  |
| 10  | E9821   | Retaining cup                                 | 1 |  |
| 11  | E9278   | Operating arm                                 | 1 |  |
| 11A | E9073   | Bush  | 2 |  |
| 12  | E9243   | Trunnion                                      | 4 |  |
| 13  | E9252   | Screw   | 1 |  |
| 14  | E9254   | Spring  | 1 |  |
| 15  | E9060   | Rubber sleeve                                 | 3 |  |
| 16  | D707    | Jubilee type clip                             | 6 |  |
| 17  | E8981   | Insulating block                              | 3 |  |
| 18  | 14-1619 | Stud cylinder head                            | 6 |  |
| 19  | S25-3   | Washer  | 6 |  |
| 20  | 14-1302 | Nut, carburetter fixing                       | 6 |  |
| 21  | E9057   | Stub, cylinder head                           | 3 |  |
| 22  | E11446  | Joint washer, stub to head                    | 6 |  |
| 23  | S557    | Stud ( $1\frac{5}{16}$ " O.A.)                | 6 |  |
| 24  | 14-1301 | Nut, cylinder head                            | 6 |  |
| 25  | S25-13  | Washer  | 6 |  |



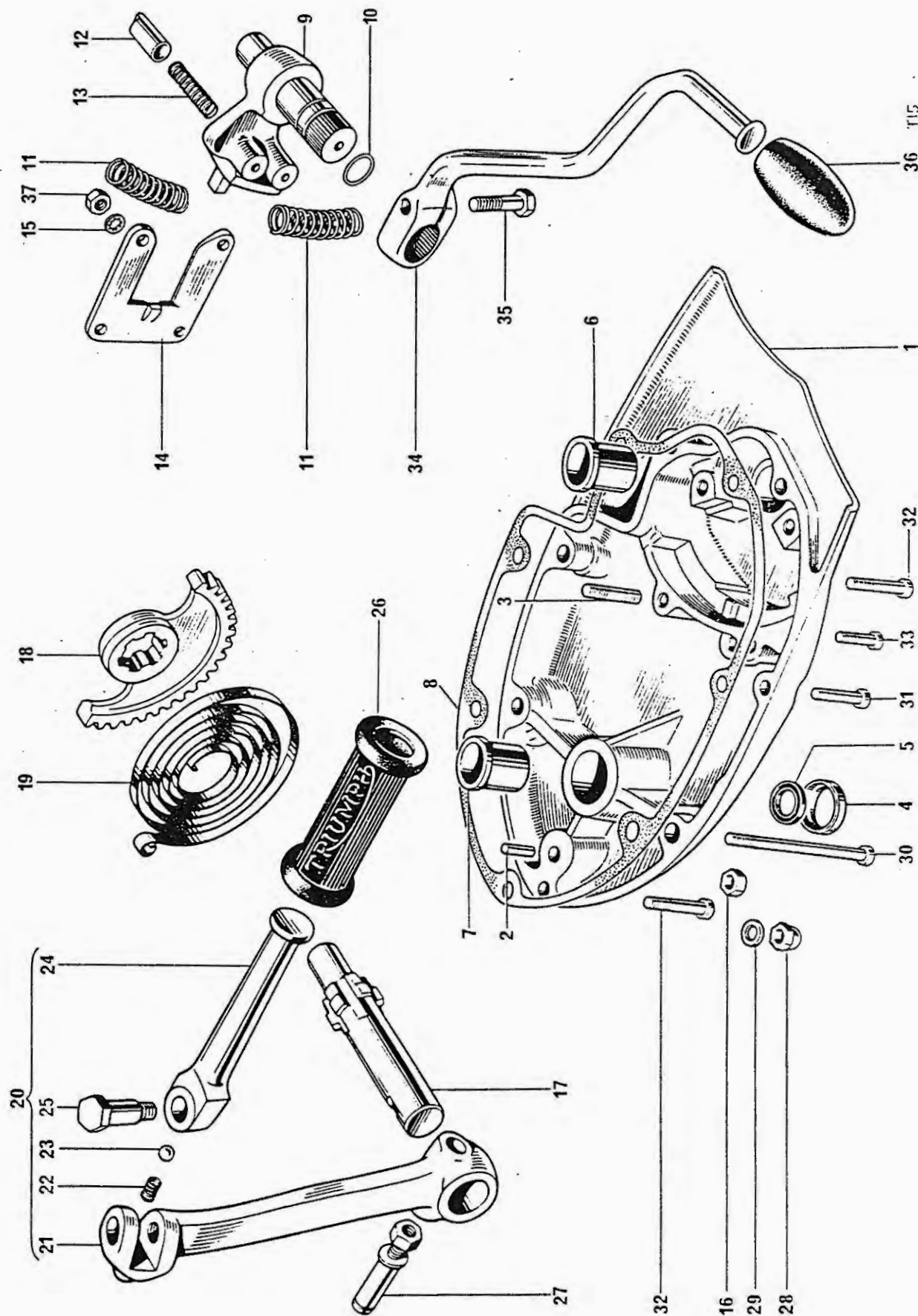


Fig. 9. GEARBOX OUTER COVER

**GEARBOX OUTER COVER**

|    |         |  |     |     |     |     |     |   |
|----|---------|--|-----|-----|-----|-----|-----|---|
| 1  | T3750   | GEARBOX OUTER COVER                        | ... | ... | ... | ... | ... | 1 |
| 2  | T47     | Kickstart anchor peg                       | ... | ... | ... | ... | ... | 1 |
| 3  | S547    | Stud guide plate ( $\frac{7}{8}$ in. O.A.) | ... | ... | ... | ... | ... | 4 |
| 4  | T1955   | Housing, oil seal                          | ... | ... | ... | ... | ... | 1 |
| 5  | T1956   | Oil seal                                   | ... | ... | ... | ... | ... | 1 |
| 6  | T57     | Bush (F/C Spindle)                         | ... | ... | ... | ... | ... | 1 |
| 7  | T23     | Bush (K/S Spindle)                         | ... | ... | ... | ... | ... | 1 |
| 8  | E11448  | Gasket, outer to inner gearbox             | ... | ... | ... | ... | ... | 1 |
| 9  | T408/9  | Plunger quadrant                           | ... | ... | ... | ... | ... | 1 |
| 10 | D3522   | Sealing Ring                               | ... | ... | ... | ... | ... | 1 |
| 11 | T404    | Spring                                     | ... | ... | ... | ... | ... | 2 |
| 12 | T406    | Plunger                                    | ... | ... | ... | ... | ... | 2 |
| 13 | T405    | Spring                                     | ... | ... | ... | ... | ... | 2 |
| 14 | T407    | Guide plate                                | ... | ... | ... | ... | ... | 1 |
| 15 | E1612   | Washer                                     | ... | ... | ... | ... | ... | 4 |
| 16 | 14-1302 | Nut  | ... | ... | ... | ... | ... | 4 |
| 17 | T24A    | Kickstart axle shaft                       | ... | ... | ... | ... | ... | 1 |
| 18 | T4117   | Kickstart quadrant                         | ... | ... | ... | ... | ... | 1 |
| 19 | T31     | Kickstart return spring                    | ... | ... | ... | ... | ... | 1 |
| 20 | T3632   | FOLDING KICKSTART COMPLETE                 | ... | ... | ... | ... | ... | 1 |
| 21 | T2173   | Crank                                      | ... | ... | ... | ... | ... | 1 |
| 22 | T1167   | Spring                                     | ... | ... | ... | ... | ... | 1 |
| 23 | D2364   | Ball, $\frac{1}{4}$ in. dia.               | ... | ... | ... | ... | ... | 1 |
| 24 | T1272   | Pedal                                      | ... | ... | ... | ... | ... | 1 |
| 25 | S541    | Pivot bolt                                 | ... | ... | ... | ... | ... | 1 |
| 26 | T2330   | Rubber                                     | ... | ... | ... | ... | ... | 1 |
| 27 | T4356   | Cotter pin c/w nut and washer              | ... | ... | ... | ... | ... | 1 |
| 28 | S544    | Domed nut outer cover                      | ... | ... | ... | ... | ... | 2 |
| 29 | S25-3   | Washer                                     | ... | ... | ... | ... | ... | 2 |
| 30 | S2140   | Screw, outer cover long                    | ... | ... | ... | ... | ... | 1 |
| 31 | 14-6609 | Screw, outer cover                         | ... | ... | ... | ... | ... | 1 |
| 32 | 14-6610 | Screw, outer cover                         | ... | ... | ... | ... | ... | 2 |
| 33 | 14-6608 | Screw, outer cover                         | ... | ... | ... | ... | ... | 1 |
| 34 | T3751   | Gearchange pedal                           | ... | ... | ... | ... | ... | 1 |
| 35 | 14-0201 | Pinch bolt                                 | ... | ... | ... | ... | ... | 1 |
| 36 | T2450   | Rubber                                     | ... | ... | ... | ... | ... | 1 |
| 37 | 14-0301 | Nut  | ... | ... | ... | ... | ... | 4 |

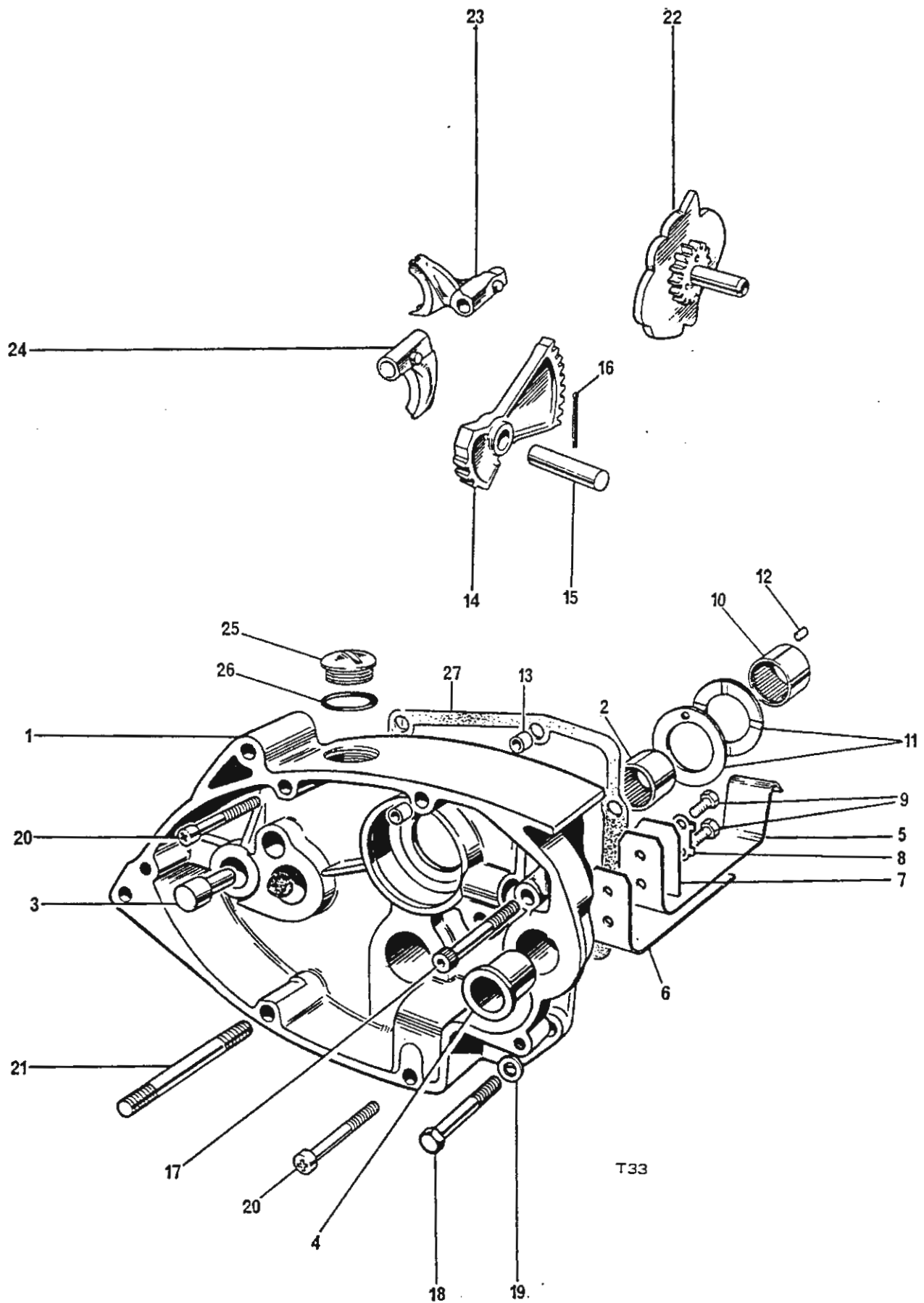


Fig. 10. GEARBOX INNER COVER AND SELECTORS

**GEARBOX INNER COVER AND SELECTORS**

|    |         |   |                |                            |
|----|---------|---|----------------|----------------------------|
| 1  | T4327   | Inner cover ... ..  | 1              |                            |
| 2  | T1614   | Layshaft bearing ... ..                                     | 1              |                            |
| 3  | T45     | Kickstart stop ... ..                                       | 1              |                            |
| 4  | T412    | Bush (F/C spindle) ... ..                                   | 1              |                            |
| 5  | T4288   | Leaf spring ... ..  | 1              |                            |
| 6  | T4289   | Support plate ... ..  | 1              |                            |
| 7  | T4290   | Top plate ... ..  | 1              |                            |
| 8  | T4291   | Tab washer ... ..   | 1              |                            |
| 9  | F4771   | Screw ... ..  | 2              |                            |
| 10 | T1606   | Layshaft, needle roller bearing ... ..                      | 1              |                            |
| 11 | T1607   | Thrust washer ... ..  | 2              |                            |
| 12 | T912    | Peg L/S thrust washer ... ..                                | 1              | (Also in crank case group) |
| 13 | T989    | Dowel, inner to outer cover ... ..                          | 2              |                            |
| 14 | T397    | Quadrant ... ..   | 1              |                            |
| 15 | T1896   | Quadrant spindle ... ..                                     | 1              |                            |
| 16 | —       | Split pin ( $\frac{5}{64}$ in. x $1\frac{1}{8}$ in.) ... .. | Reference only |                            |
| 17 | 14-7101 | Socket screw ... ..   | 1              |                            |
| 18 | 14-6121 | Bolt, inner cover to crankcase ... ..                       | 1              |                            |
| 19 | E3446   | Washer, inner cover to crankcase ... ..                     | 2              |                            |
| 20 | 14-6614 | Screw, inner cover to crankcase ... ..                      | 2              |                            |
| 21 | 14-1431 | Stud, gearbox cover ... ..                                  | 2              |                            |
| 22 | T4055   | Camplate ... ..   | 1              |                            |
| 23 | T4308   | Selector fork mainshaft ... ..                              | 1              |                            |
| 24 | T4307   | Selector fork layshaft ... ..                               | 1              |                            |
| 25 | T2166   | Filler cap ... ..   | 1              |                            |
| 26 | E8782   | "O" ring ... ..   | 1              |                            |
| 27 | E11447  | Gasket, inner cover to crankcase ... ..                     | 1              |                            |

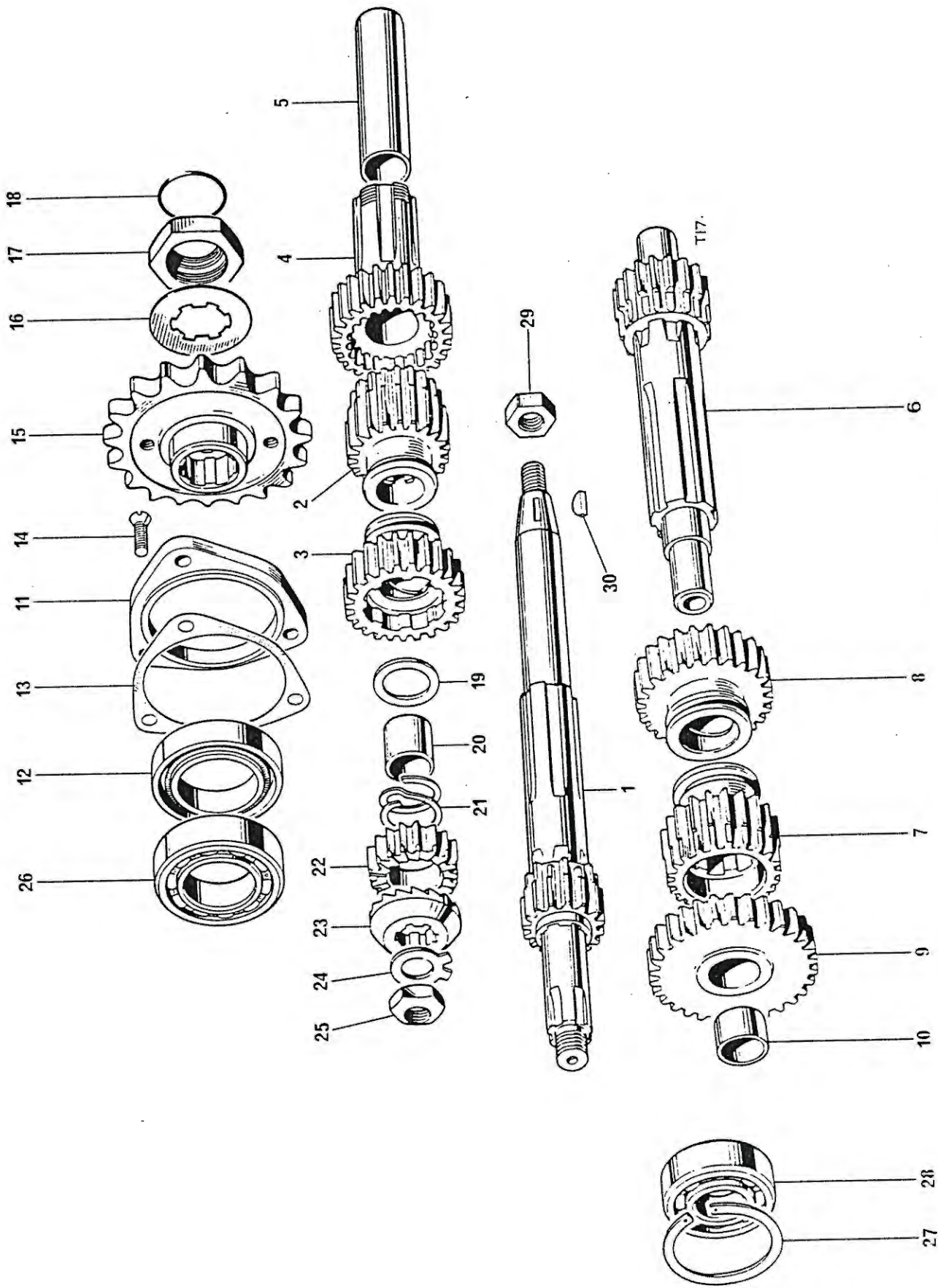


Fig. 11. GEARBOX SHAFTS AND GEARS

## GEARBOX SHAFTS AND GEARS

|    |         |                                    |     |     |     |     |     |   |
|----|---------|------------------------------------|-----|-----|-----|-----|-----|---|
| 1  | T4175   | MAINSHAFT C/W LOW GEAR (16T)       | ... | ... | ... | ... | ... | 1 |
| 2  | T4335   | MAINSHAFT 2ND GEAR (20T)           | ... | ... | ... | ... | ... | 1 |
| 3  | T3889   | MAINSHAFT 3RD GEAR (23T)           | ... | ... | ... | ... | ... | 1 |
| 4  | T4346   | MAINSHAFT HIGH GEAR (26T)          | ... | ... | ... | ... | ... | 1 |
| 5  | T4314   | High gear bush                     | ... | ... | ... | ... | ... | 1 |
| 6  | T4345   | LAYSHAFT C/W HIGH GEAR (20T)       | ... | ... | ... | ... | ... | 1 |
| 7  | T3890   | LAYSHAFT 3RD GEAR (22T)            | ... | ... | ... | ... | ... | 1 |
| 8  | T3861   | LAYSHAFT 2ND GEAR (26T)            | ... | ... | ... | ... | ... | 1 |
| 9  | T3862   | LAYSHAFT LOW GEAR (30T)            | ... | ... | ... | ... | ... | 1 |
| 10 | T928    | Low gear bush                      | ... | ... | ... | ... | ... | 1 |
| 11 | T2153   | Housing, high gear oil seal        | ... | ... | ... | ... | ... | 1 |
| 12 | T3634   | Oil seal high gear                 | ... | ... | ... | ... | ... | 1 |
| 13 | E11451  | Gasket, high gear oil seal housing | ... | ... | ... | ... | ... | 1 |
| 14 | 14-6504 | Fixing screw                       | ... | ... | ... | ... | ... | 3 |
| 15 | T1918   | Gearbox sprocket 19T               | ... | ... | ... | ... | ... | 1 |
| 16 | T2116   | Tab washer                         | ... | ... | ... | ... | ... | 1 |
| 17 | T4051   | Locknut sprocket assembly          | ... | ... | ... | ... | ... | 1 |
| 18 | T4054   | Seal                               | ... | ... | ... | ... | ... | 1 |
| 19 | T1962   | Kickstart pinion washer            | ... | ... | ... | ... | ... | 1 |
| 20 | T1963   | Kickstart pinion sleeve            | ... | ... | ... | ... | ... | 1 |
| 21 | T1250   | Kickstart pinion spring            | ... | ... | ... | ... | ... | 1 |
| 22 | T730    | Kickstart pinion                   | ... | ... | ... | ... | ... | 1 |
| 23 | T731    | Kickstart ratchet                  | ... | ... | ... | ... | ... | 1 |
| 24 | T732    | Tab washer mainshaft nut           | ... | ... | ... | ... | ... | 1 |
| 25 | S594    | Nut, mainshaft                     | ... | ... | ... | ... | ... | 1 |
| 26 | D3556   | High gear bearing                  | ... | ... | ... | ... | ... | 1 |
| 27 | T4113   | Bearing circlip                    | ... | ... | ... | ... | ... | 1 |
| 28 | D3552   | Mainshaft bearing                  | ... | ... | ... | ... | ... | 1 |
| 29 | S681    | Nut, clutch hub to mainshaft       | ... | ... | ... | ... | ... | 1 |
| 30 | S66-1   | Key                                | ... | ... | ... | ... | ... | 1 |

## CLOSE RATIO GEARS

|   |       |                        |     |     |     |     |     |   |
|---|-------|------------------------|-----|-----|-----|-----|-----|---|
| 1 | T4178 | MAINSHAFT C/W LOW GEAR | ... | ... | ... | ... | ... | 1 |
| 2 | T4167 | Mainshaft second gear  | ... | ... | ... | ... | ... | 1 |
| 3 | T4169 | Mainshaft third gear   | ... | ... | ... | ... | ... | 1 |
| 4 | T4176 | MAINSHAFT HIGH GEAR    | ... | ... | ... | ... | ... | 1 |
| 6 | T4162 | LAYSHAFT C/W HIGH GEAR | ... | ... | ... | ... | ... | 1 |
| 7 | T4168 | Layshaft third gear    | ... | ... | ... | ... | ... | 1 |
| 8 | T4166 | Layshaft second gear   | ... | ... | ... | ... | ... | 1 |
| 9 | T4163 | LAYSHAFT LOW GEAR      | ... | ... | ... | ... | ... | 1 |

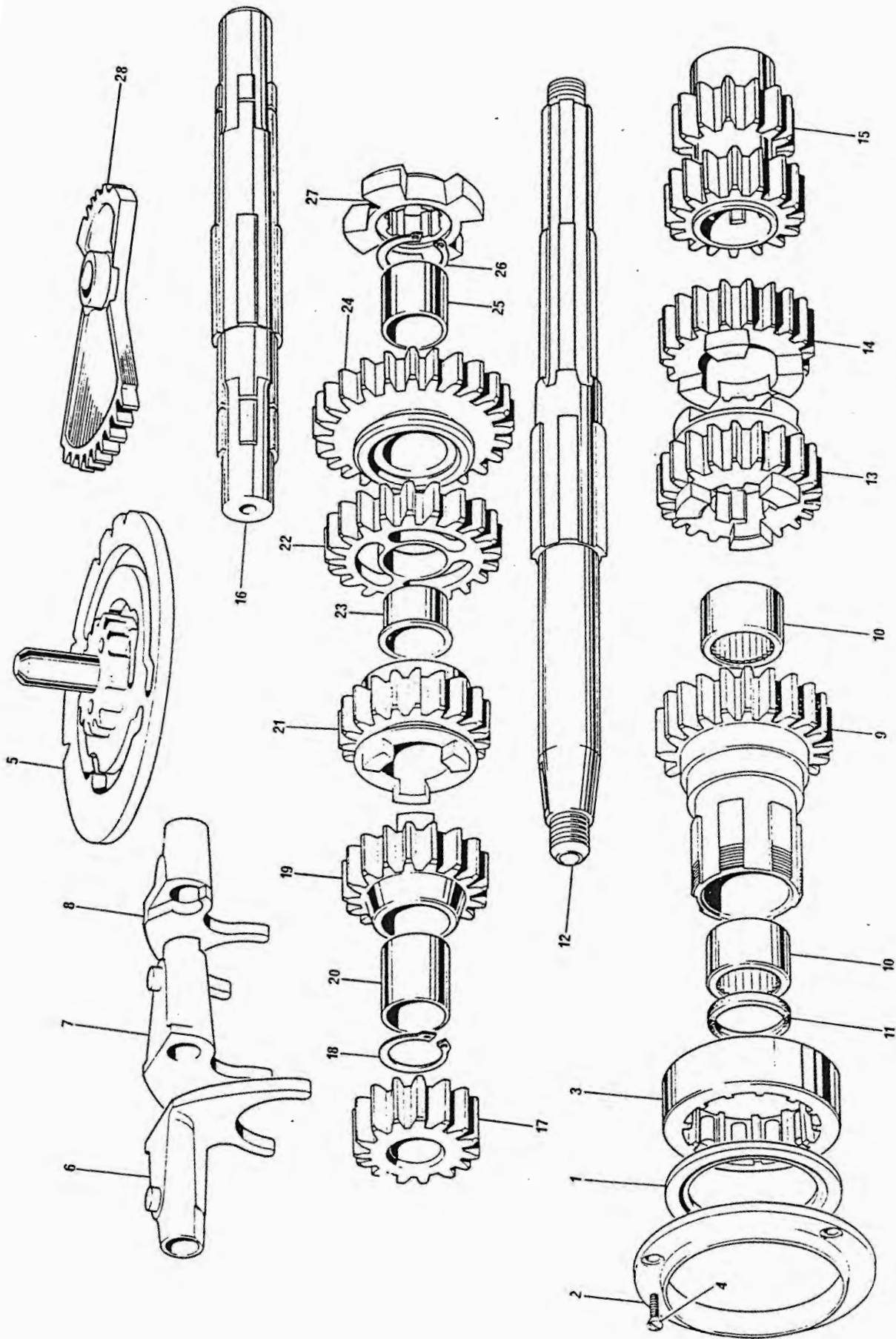


Fig. 12. PARTS REQUIRED FOR OPTIONAL 5 SPEED GEARBOX

T37

**PARTS REQUIRED FOR OPTIONAL 5 SPEED GEARBOX**

|            |       |                                   |   |  |
|------------|-------|-----------------------------------|---|--|
| 1          | D3510 | Oil seal ... ..                   | 1 |  |
| 2          | T4394 | Housing—oil seal ... ..           | 1 |  |
| 3          | D3493 | High gear bearing ... ..          | 1 |  |
| 4          | S2106 | Screw—oil seal housing ... ..     | 3 |  |
| 5          | T4360 | Gearbox camplate ... ..           | 1 |  |
| 6          | T4364 | Selector fork—M/S 4th gear ... .. | 1 |  |
| 7          | T4366 | Selector fork—L/S 3rd gear ... .. | 1 |  |
| 8          | T4368 | Selector fork—L/S 1st gear ... .. | 1 |  |
| 9          | T4372 | M/S High gear ... ..              | 1 |  |
| 10         | D3511 | Needle roller bearing ... ..      | 2 |  |
| 11         | D3500 | Oil seal ... ..                   | 1 |  |
| 12         | T4370 | Main shaft ... ..                 | 1 |  |
| 13         | T4376 | M/S 4th gear ... ..               | 1 |  |
| 14         | T4377 | M/S 3rd gear ... ..               | 1 |  |
| 15         | T4380 | M/S 1st and 2nd gear ... ..       | 1 |  |
| 16         | T4371 | Layshaft ... ..                   | 1 |  |
| 17         | T4383 | L/S high gear ... ..              | 1 |  |
| 18         | D3494 | Circlip ... ..                    | 1 |  |
| 19         | T4384 | L/S 4th gear ... ..               | 1 |  |
| 20         | T4386 | Bush ... ..                       | 1 |  |
| 21         | T4387 | L/S 3rd gear ... ..               | 1 |  |
| 22         | T4388 | L/S 2nd gear ... ..               | 1 |  |
| 23         | T4390 | Bush ... ..                       | 1 |  |
| 24         | T4391 | L/S 1st gear ... ..               | 1 |  |
| 25         | T4393 | Bush ... ..                       | 1 |  |
| 26         | D3494 | Circlip ... ..                    | 1 |  |
| 27         | T4381 | Driving dog ... ..                | 1 |  |
| Not illus. | T4402 | Leaf spring ... ..                | 1 |  |
| 28         | T4363 | Quadrant ... ..                   | 1 |  |
| Not illus. | T4374 | Plunger quadrant ... ..           | 1 |  |
| Not illus. | T4403 | Plunger ... ..                    | 2 |  |
| Not illus. | T4397 | Gearbox sprocket—19T ... ..       | 1 |  |
| Not illus. | T4396 | Locknut ... ..                    | 1 |  |
| Not illus. | T4395 | Locking washer ... ..             | 1 |  |



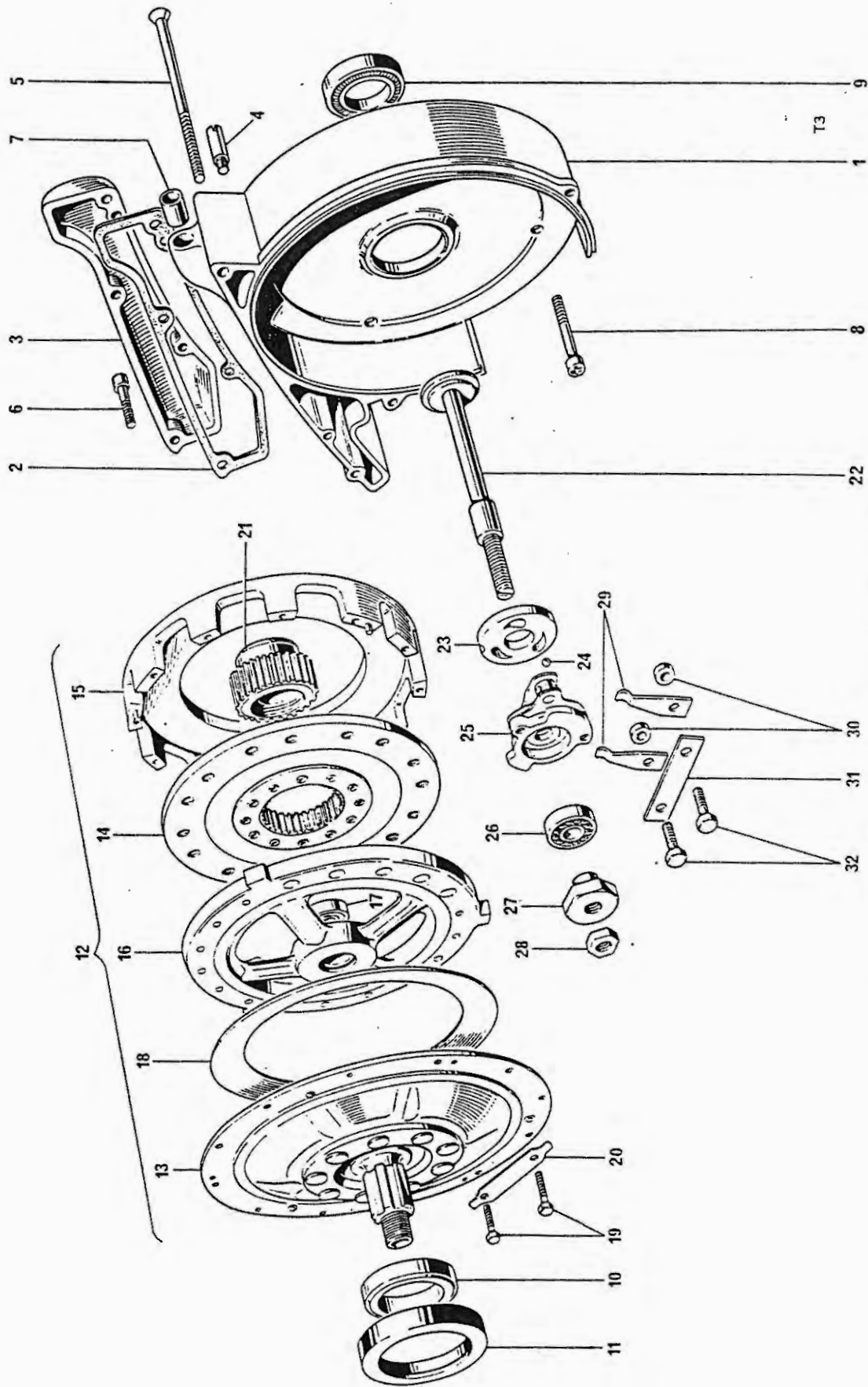


Fig. 13. CLUTCH AND CLUTCH OPERATING MECHANISM

**CLUTCH AND CLUTCH OPERATING MECHANISM**

|    |         |  |    |  |
|----|---------|--|----|--|
| 1  | T2554   | Clutch cover ... ..                                  | 1  |  |
| 2  | E11452  | Joint washer ... ..                                  | 1  |  |
| 3  | T2555   | Cover, breather duct ... ..                          | 1  |  |
| 4  | T3756   | Adaptor ... ..                                       | 1  |  |
| 5  | 14-6515 | Screw, long, cover to crankcase (4 in. U.H.)         | 1  |  |
| 6  | S680    | Screw short cover to crankcase ( $\frac{1}{16}$ in.) | 3  |  |
| 7  | T2557   | Tube ... ..  | 1  |  |
| 8  | 14-6610 | Screw cover to crankcase                             | 3  |  |
| 9  | T3642   | Oil seal cover to mainshaft                          | 1  |  |
| 10 | T2479   | Sleeve, shaft oil seal                               | 1  |  |
| 11 | T3642   | Oil seal clutch shaft                                | 1  |  |
| 12 | T2562   | CLUTCH ASSEMBLY (BORG & BECK 76183)                  | 1  |  |
| 13 | T3705   | End cover, assembly (BORG & BECK 76169)              | 1  |  |
| 14 | T3709   | Driven plate assembly (BORG & BECK 53273)            | 1  |  |
| 15 | T3708   | Drive ring (BORG & BECK 76167)                       | 1  |  |
| 16 | T3715   | Pressure plate (BORG & BECK 76184)                   | 1  |  |
| 17 | T3717   | Thrust bearing (BORG & BECK 76168)                   | 1  |  |
| 18 | T3718   | Diaphragm spring red (BORG & BECK 75303/13)          | 1  |  |
| 19 | T3719   | Bolt end cover to housing (BORG & BECK K26904)       | 12 |  |
| 20 | T3720   | Tab washer, end cover to housing (BORG & BECK 76170) | 6  |  |
| 21 | T2580   | Clutch hub ... ..                                    | 1  |  |
| 22 | T2552   | Pull rod clutch release                              | 1  |  |
| 23 | T2465   | Thrust plate inner                                   | 1  |  |
| 24 | D2364   | Ball, $\frac{1}{4}$ in. dia.                         | 3  |  |
| 25 | T2547   | Clutch lever complete                                | 1  |  |
| 26 | T3647   | Bearing, outer thrust plate                          | 1  |  |
| 27 | T2553   | Sleeve nut ... ..                                    | 1  |  |
| 28 | 14-0402 | Locknut ... ..                                       | 1  |  |
| 29 | T2473   | Spring, outer thrust plate                           | 2  |  |
| 30 | T3638   | Distance piece, outer thrust plate                   | 2  |  |
| 31 | T2474   | Tab washer   | 1  |  |
| 32 | 14-6102 | Bolt ... ..  | 2  |  |

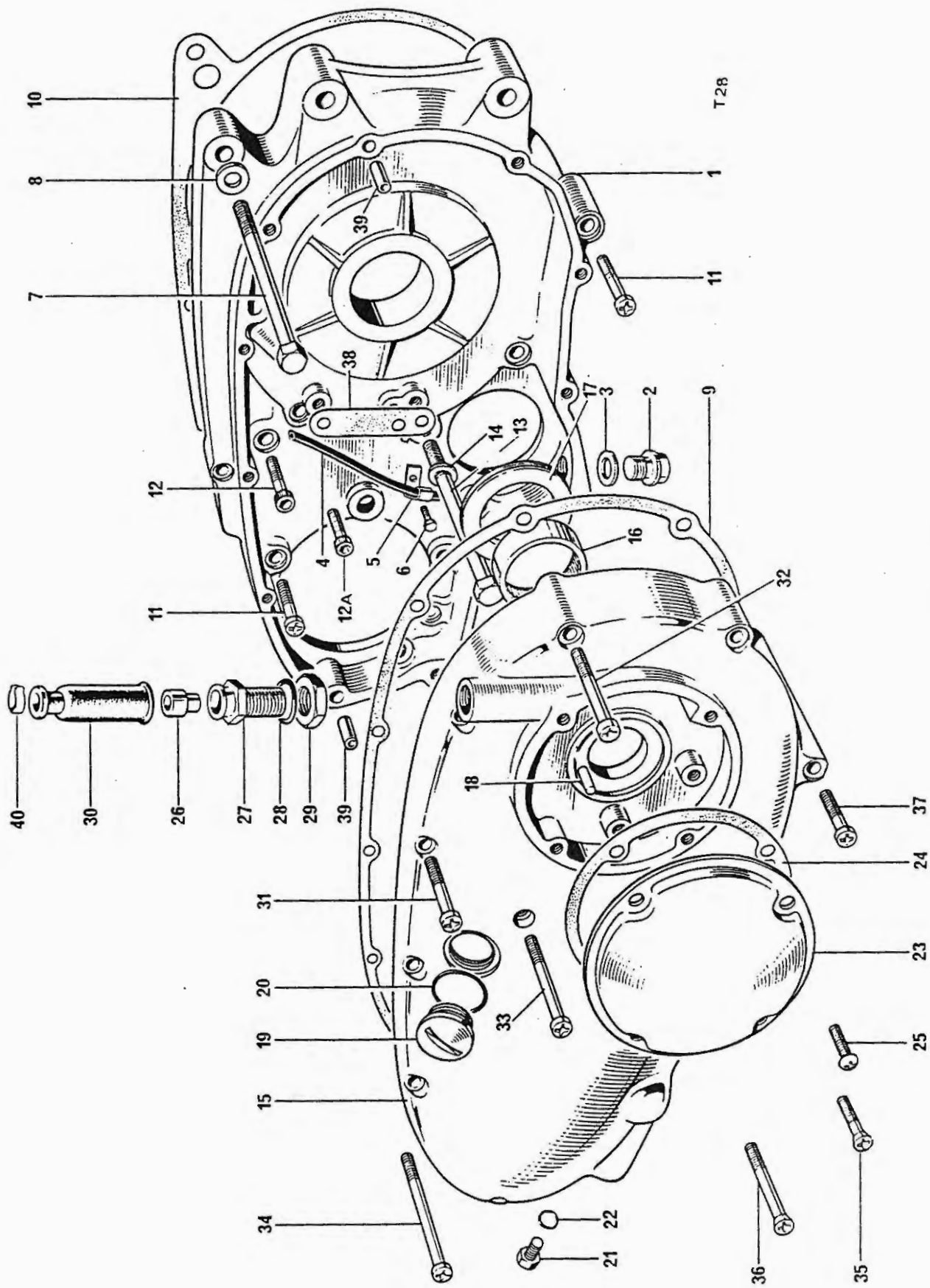


Fig. 14. INNER AND OUTER CHAINCASE

**INNER AND OUTER CHAINCASE**

|     |         |                                      |   |  |
|-----|---------|--------------------------------------|---|--|
| 1   | T4010   | Inner primary chaincase              | 1 |  |
| 2   | S536    | Drain plug                           | 1 |  |
| 3   | E402    | Washer                               | 1 |  |
| 4   | E8786   | Tube, chain oiler                    | 1 |  |
| 5   | E4705   | Clip, chain oiler—tube               | 1 |  |
| 6   | 14-6101 | Bolt, clip...                        | 1 |  |
| 7   | S1820   | Bolt, long                           | 1 |  |
| 8   | S25-3   | Washer                               | 1 |  |
| 9   | E11448  | Gasket inner to outer chaincase      | 1 |  |
| 10  | E11453  | Gasket inner case to crankcase       | 1 |  |
| 11  | 14-6606 | Screw, short                         | 2 |  |
| 12  | 14-7006 | Socket screw                         | 7 |  |
| 12A | 14-7004 | Socket screw                         | 1 |  |
| 13  | S1819   | Bolt                                 | 1 |  |
| 14  | S25-3   | Washer                               | 1 |  |
| 15  | T3958   | OUTER PRIMARY CHAINCASE              | 1 |  |
| 16  | T3643   | Needle roller bearing                | 1 |  |
| 17  | T2215   | Thrust washer                        | 1 |  |
| 18  | T912    | Peg, thrust plate                    | 1 |  |
| 19  | T2166   | Filler plug                          | 1 |  |
| 20  | E8782   | "O" ring                             | 1 |  |
| 21  | T2259   | Tensioner adjuster plug              | 1 |  |
| 22  | T3733   | "O" ring                             | 1 |  |
| 23  | T3954   | Inspection cover                     | 1 |  |
| 24  | E11449  | Inspection cover gasket              | 1 |  |
| 25  | 14-6605 | Screw, inspection cover              | 4 |  |
| 26  | T2220   | Clutch cable abutment                | 1 |  |
| 27  | T1645   | Adaptor                              | 1 |  |
| 28  | T3733   | Sealing Ring                         | 1 |  |
| 29  | S567    | Locknut                              | 1 |  |
| 30  | T1646   | Rubber cap                           | 1 |  |
| 31  | 14-6611 | Screw, outer to inner chaincase      | 6 |  |
| 32  | 14-6612 | Screw, outer to inner chaincase      | 1 |  |
| 33  | 14-6613 | Screw, long outer to inner chaincase | 2 |  |
| 34  | 14-6615 | Screw, outer to inner chaincase      | 1 |  |
| 35  | 14-6504 | Screw, short countersunk             | 2 |  |
| 36  | 14-6509 | Screw, longer countersunk            | 1 |  |
| 37  | 14-6610 | Screw, short, chaincase              | 1 |  |
| 38  | E12793  | Joint washer                         | 1 |  |
| 39  | T989    | Dowel                                | 2 |  |
| 40  | T4194   | Clip, clutch cable                   | 1 |  |

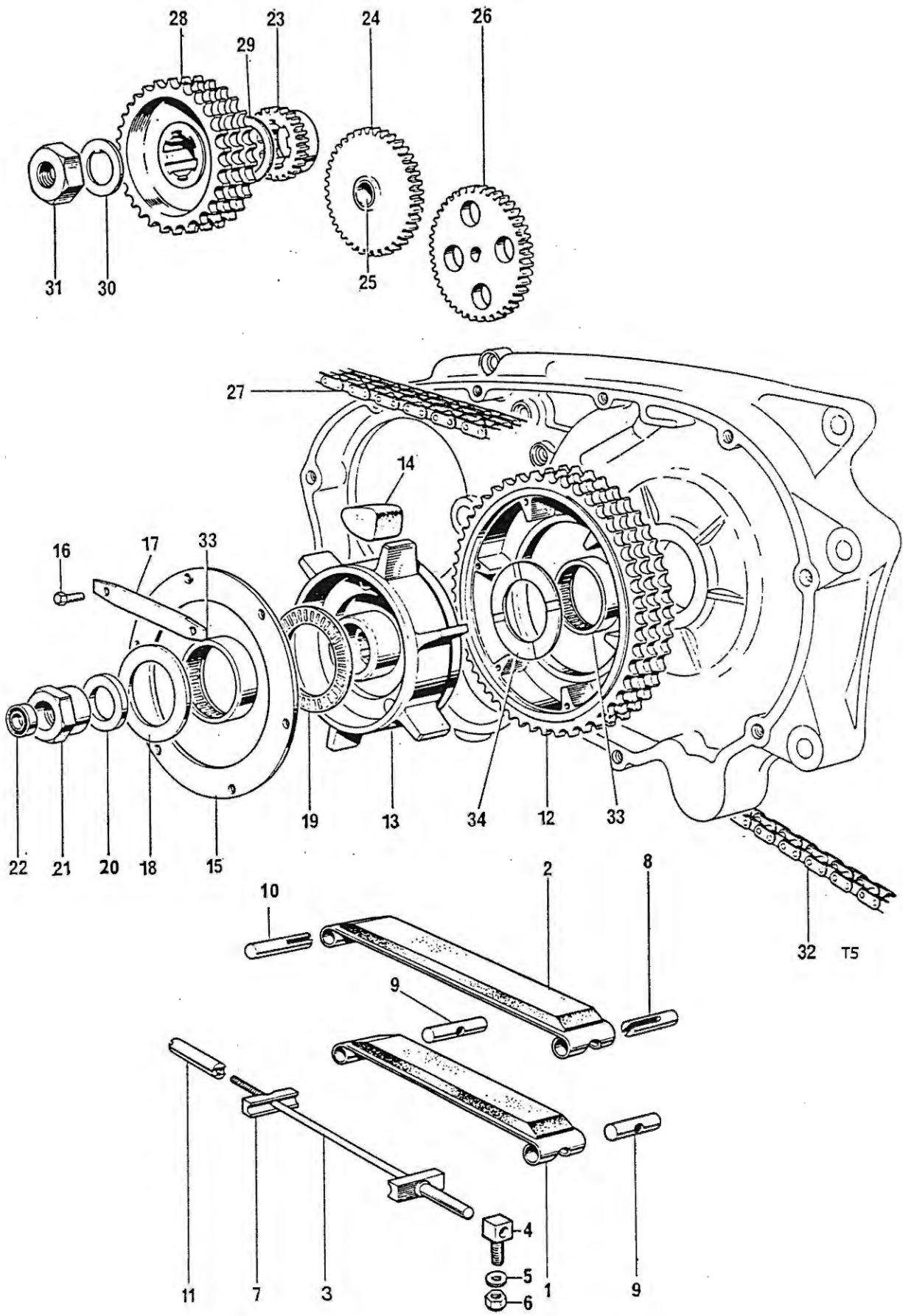


Fig. 15. PRIMARY TRANSMISSION AND OIL PUMP DRIVE

**PRIMARY TRANSMISSION AND OIL PUMP DRIVE**

|    |         |   |     |     |     |     |     |     |     |    |             |
|----|---------|---|-----|-----|-----|-----|-----|-----|-----|----|-------------|
| 1  | T3610   | Tensioner blade                         | ... | ... | ... | ... | ... | ... | ... | 1  |             |
| 2  | E6061   | Tensioner blade                         | ... | ... | ... | ... | ... | ... | ... | 1  |             |
| 3  | T3983   | Tie rod                                 | ... | ... | ... | ... | ... | ... | ... | 1  |             |
| 4  | T3986   | Eye bolt                                | ... | ... | ... | ... | ... | ... | ... | 1  |             |
| 5  | T3987   | Washer                                  | ... | ... | ... | ... | ... | ... | ... | 1  |             |
| 6  | 14-1901 | Nut                                     | ... | ... | ... | ... | ... | ... | ... | 1  |             |
| 7  | E9258   | Saddle washer                           | ... | ... | ... | ... | ... | ... | ... | 2  |             |
| 8  | E9256   | Trunnion                                | ... | ... | ... | ... | ... | ... | ... | 1  |             |
| 9  | E5977   | Trunnion                                | ... | ... | ... | ... | ... | ... | ... | 2  |             |
| 10 | T3614   | Pivot pin...                            | ... | ... | ... | ... | ... | ... | ... | 1  |             |
| 11 | T3617   | Adjuster nut                            | ... | ... | ... | ... | ... | ... | ... | 1  |             |
| 12 | T4225   | Clutch sprocket (50T)                   | ... | ... | ... | ... | ... | ... | ... | 1  |             |
| 13 | T4323   | Spider                                  | ... | ... | ... | ... | ... | ... | ... | 1  |             |
| 14 | T4324   | Shock absorber rubber                   | ... | ... | ... | ... | ... | ... | ... | 12 |             |
| 15 | T4004   | Retaining plate                         | ... | ... | ... | ... | ... | ... | ... | 1  |             |
| 16 | T3940   | Bolt, retaining plate                   | ... | ... | ... | ... | ... | ... | ... | 6  |             |
| 17 | T3941   | Tab washer                              | ... | ... | ... | ... | ... | ... | ... | 3  |             |
| 18 | T2215   | Outer thrust washer, clutch shaft       | ... | ... | ... | ... | ... | ... | ... | 1  |             |
| 19 | T3646   | Thrust race                             | ... | ... | ... | ... | ... | ... | ... | 1  |             |
| 20 | T2478   | Spacer, shock absorber nut              | ... | ... | ... | ... | ... | ... | ... | 1  |             |
| 21 | T2480   | Nut                                     | ... | ... | ... | ... | ... | ... | ... | 1  |             |
| 22 | T3644   | Oil seal                                | ... | ... | ... | ... | ... | ... | ... | 1  |             |
| 23 | E7248   | Driven gear                             | ... | ... | ... | ... | ... | ... | ... | 1  |             |
| 24 | E7246   | INTERMEDIATE GEAR C/W BUSH              | ... | ... | ... | ... | ... | ... | ... | 1  |             |
| 25 | E6885   | Bush                                    | ... | ... | ... | ... | ... | ... | ... | 1  |             |
| 26 | *E9886  | Oil pump driven gear                    | ... | ... | ... | ... | ... | ... | ... | 1  |             |
| 27 | D699    | Primary chain, triple row, 82 links     | ... | ... | ... | ... | ... | ... | ... | 1  |             |
| 28 | E6890   | Engine sprocket (28T)                   | ... | ... | ... | ... | ... | ... | ... | 1  |             |
| 29 | E8038   | Shim, engine sprocket (0-010 in. thick) | ... | ... | ... | ... | ... | ... | ... |    | as required |
| 29 | E12660  | Shim, engine sprocket (0-030 in. thick) | ... | ... | ... | ... | ... | ... | ... |    | as required |
| 30 | E8785   | Tab washer                              | ... | ... | ... | ... | ... | ... | ... | 1  |             |
| 31 | S585    | Nut, engine sprocket                    | ... | ... | ... | ... | ... | ... | ... | 1  |             |
| 32 | D2016   | Rear chain 108 links                    | ... | ... | ... | ... | ... | ... | ... | 1  |             |
| 33 | T3643   | Needle race                             | ... | ... | ... | ... | ... | ... | ... | 2  |             |
| 34 | T2214   | Thrust washer, Inner                    | ... | ... | ... | ... | ... | ... | ... | 1  |             |

\*Also listed on page 13.

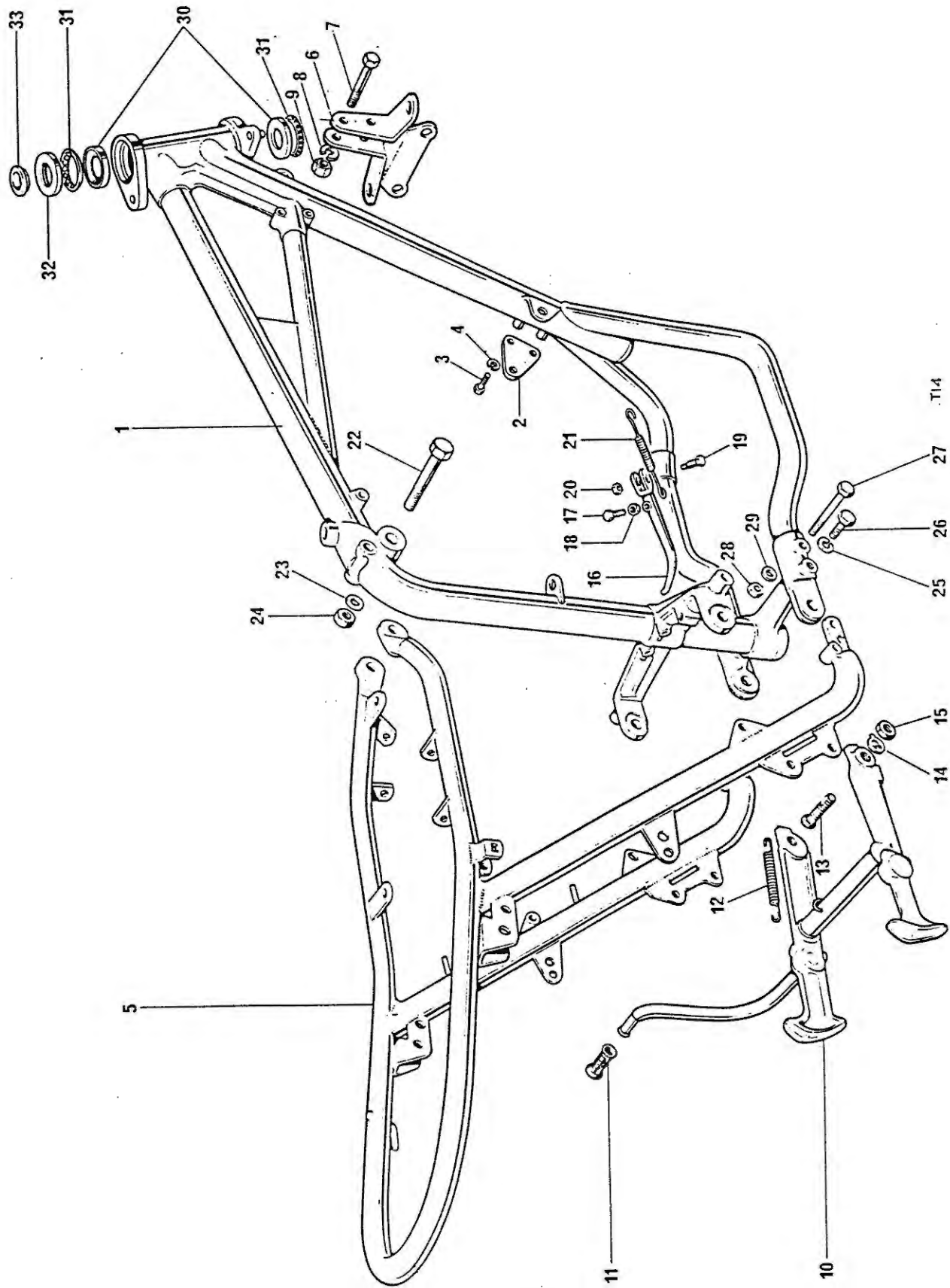


Fig. 16. FRAME

| Ref. No.     | Part No. | DESCRIPTION                              | QUANTITY | REMARKS |
|--------------|----------|--|----------|---------|
| <b>FRAME</b> |          |  |          |         |
| 1            | F13218   | Front Frame ... ..                       | 1        |         |
| Not illus.   | F7155    | Lock stops ... ..                        | 1        |         |
| 2            | F7159    | Front D.S. engine plate ... ..           | 1        |         |
| 3            | 14-0126  | Bolt ... ..                              | 2        |         |
| 4            | S26-1    | Spring washer ... ..                     | 2        |         |
| 5            | F13219   | Rear frame ... ..                        | 1        |         |
| 6            | F12024   | Mounting bracket, petrol tank ... ..     | 2        |         |
| 7            | S1805    | Bolt ... ..                              | 2        |         |
| 8            | S26-3    | Washer ... ..                            | 2        |         |
| 9            | 14-0402  | Nut ... ..                               | 2        |         |
| 10           | F11267   | Centre stand ... ..                      | 1        |         |
| 11           | T2331    | Pedal rubber ... ..                      | 1        |         |
| 12           | F4671    | Spring ... ..                            | 1        |         |
| 13           | S1978    | Pivot bolt ... ..                        | 2        |         |
| 14           | F11270   | Tab washer ... ..                        | 2        |         |
| 15           | 14-0404  | Nut ... ..                               | 2        |         |
| 16           | F11560   | Prop stand ... ..                        | 1        |         |
| 17           | 14-0113  | Bolt ... ..                              | 1        |         |
| 18           | 14-0402  | Nut ... ..                               | 1        |         |
| 19           | F7021    | Swivel pin ... ..                        | 1        |         |
| 20           | 14-0703  | Nut, swivel pin ... ..                   | 1        |         |
| 21           | F8382    | Spring ... ..                            | 1        |         |
| 22           | 14-0241  | Bolt, top rear to front frame ... ..     | 1        |         |
| 23           | S25-2    | Washer ... ..                            | 2        |         |
| 24           | 14-1303  | Nut ... ..                               | 1        |         |
| 25           | 99-0046  | Spring Washer ... ..                     | 2        |         |
| 26           | S588     | Bolt, bottom rear to front frame ... ..  | 2        |         |
| 27           | 14-0251  | Bolt, front rear to front frame ... ..   | 2        |         |
| 28           | 14-1304  | Nut ... ..                               | 2        |         |
| 29           | F4370    | Washer ... ..                            | 2        |         |
| 30           | H111     | Cup, top and bottom steering race ... .. | 2        |         |
| 31           | H4034    | Steering head race ... ..                | 2        |         |
| 32           | H1018    | Top cone (c/w dust cover) ... ..         | 1        |         |
| 33           | H4145    | Steering stem collar (top) ... ..        | 1        |         |
| Not illus.   | D2452    | Transfer "Safety Standards" ... ..       | 1        |         |



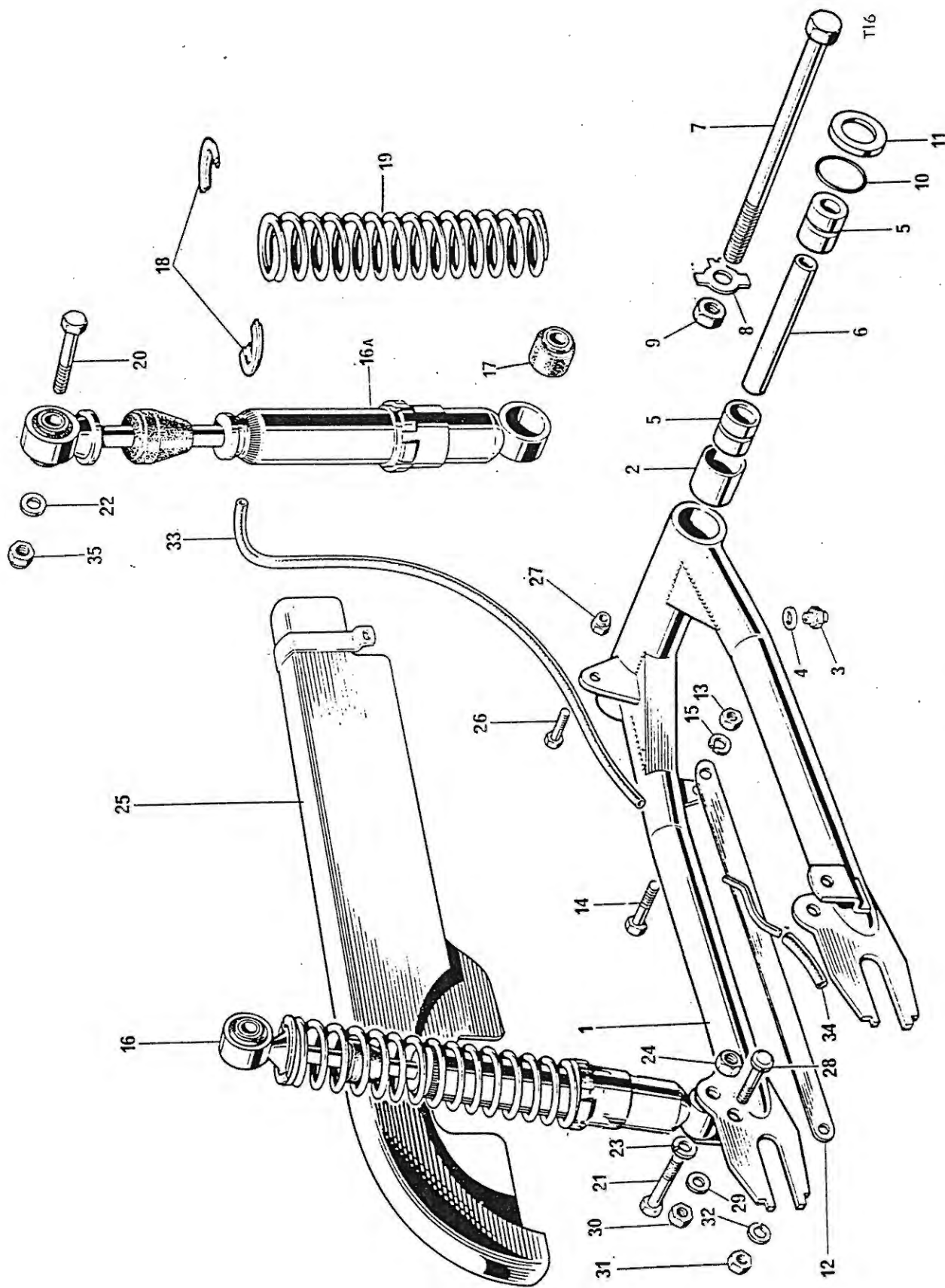


Fig. 17. SWINGING FORK AND SUSPENSION UNITS

**SWINGING FORK AND SUSPENSION UNITS**

|     |          |  |   |                |
|-----|----------|--|---|----------------|
| 1   | F13233   | SWINGING FORK  | 1 |                |
| 2   | F6042    | Bush   | 2 |                |
| 3   | NW100    | Grease nipple  | 1 |                |
| 4   | WE170    | Fibre washer   | 1 |                |
| 5   | F6821    | Bobbin   | 2 |                |
| 6   | F5313    | Distance tube  | 1 |                |
| 7   | S620     | S/arm bolt   | 1 |                |
| 8   | F5944    | Tab washer   | 1 |                |
| 9   | S545     | Nut  | 1 |                |
| 10  | F8090    | "O" ring   | 2 |                |
| 11  | F7848    | Oil seal housing                                     | 2 |                |
| 12  | F13228   | Torque stay  | 1 |                |
| 13  | 14-1304  | Nut  | 1 |                |
| 14  | 14-0133  | Bolt   | 1 |                |
| 15  | 99-0046  | Spring washer  | 1 |                |
| 16  | D2294    | SUSPENSION UNIT 64052341                             | 2 |                |
| 16a | 64052090 | Damper unit only                                     |   | Reference only |
| 17  | 64533645 | Bonded bush (99-0122)                                | 4 |                |
| 18  | 9054/171 | Spring retainer (99-0107)                            | 4 |                |
| 19  | 64544754 | Spring (110 lbs.) (99-1139)                          | 2 |                |
| 20  | 14-0235  | Bolt, top and bottom                                 | 3 |                |
| 21  | S2099    | Bolt, D.S. lower                                     | 1 |                |
| 22  | S25-2    | Washer, top bolt                                     | 8 |                |
| 23  | D2429    | Spring washer—D.S. lower                             | 1 |                |
| 24  | 14-1303  | Nut  | 2 |                |
| 25  | F13231   | Rear chainguard                                      | 1 |                |
| 26  | 14-0113  | Front pivot bolt                                     | 1 |                |
| 27  | 14-0702  | Self-locking nut                                     | 1 |                |
| 28  | F9387    | Bolt, rear chainguard to fork ( $\frac{25}{32}$ in.) | 1 |                |
| 29  | D2331    | Washer   | 1 |                |
| 30  | 14-1302  | Nut  | 1 |                |
| 31  | 14-1304  | Nut  | 1 |                |
| 32  | S25-71   | Washer   | 1 |                |
| 33  | F7352    | Chain oiler pipe—long                                | 1 |                |
| 34  | F9997    | Chain oiler pipe—short                               | 1 |                |
| 35  | 14-1303  | Nut  | 2 |                |

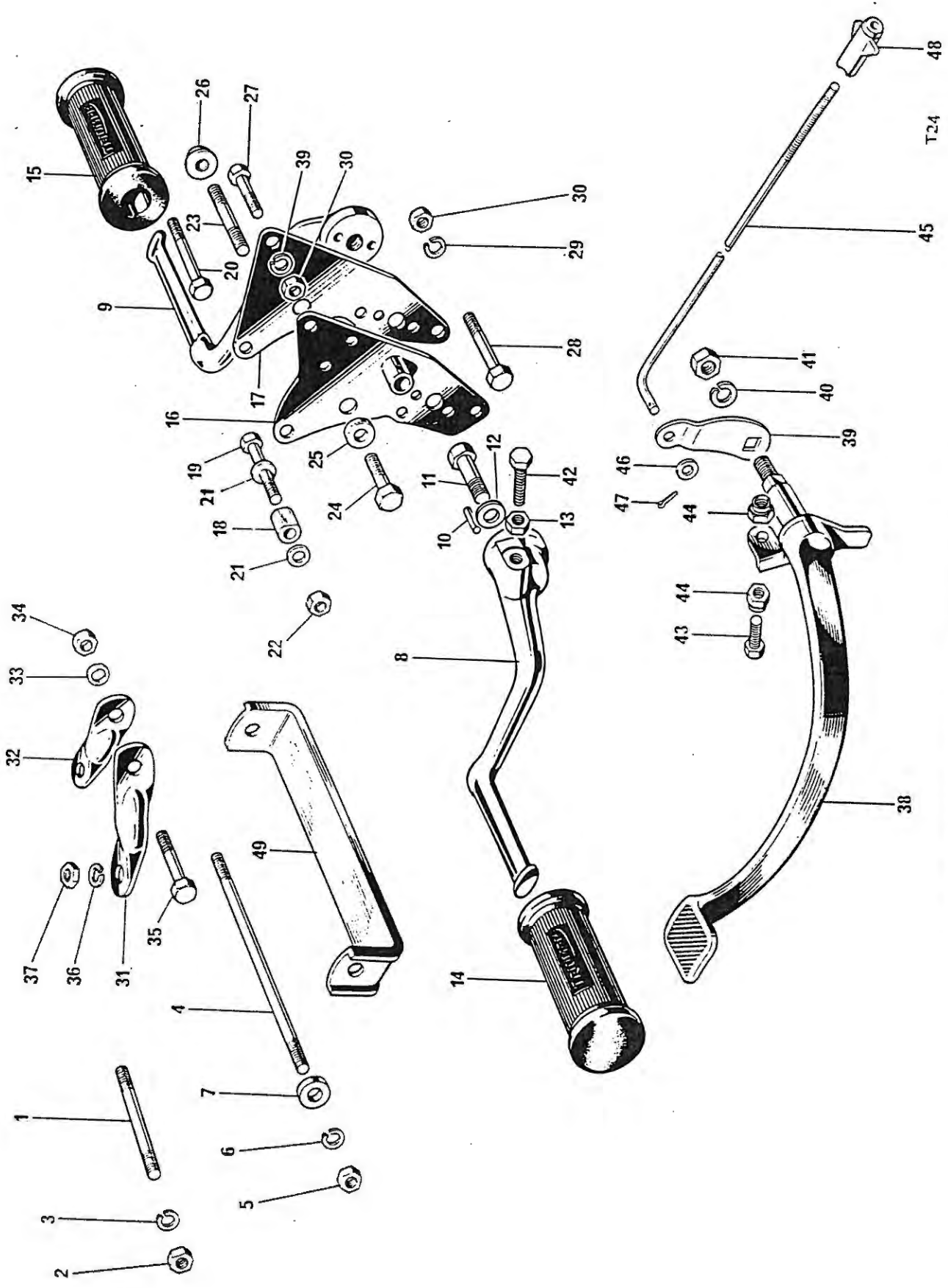


Fig. 18. MOTOR UNIT FITTINGS AND FOOTRESTS

**MOTOR UNIT FITTINGS AND FOOTRESTS**

|    |         |   |   |                |
|----|---------|---|---|----------------|
| 1  | 14-6254 | Bolt, front engine to frame ... ..                        | 1 |                |
| 2  | 14-1304 | Nut, stud ... ..  | 1 |                |
| 3  | D2323   | Spring washer ... ..                                      | 2 |                |
| 4  | S572    | Stud (bottom) engine to frame (10½ in. O.A.) ... ..       | 1 |                |
| 5  | 14-0304 | Nut, stud ... ..  | 2 |                |
| 6  | 99-0046 | Spring washer ... ..                                      | 2 |                |
| 7  | F5532   | Spacer, bottom engine fixing ... ..                       | 1 |                |
| 8  | F9623   | Drive side footrest ... ..                                | 1 |                |
| 9  | F9624   | Timing side footrest ... ..                               | 1 |                |
| 10 | F5943   | Peg ... ..  | 4 |                |
| 11 | S1969   | Bolt, footrest ... ..                                     | 2 |                |
| 12 | F8243   | Washer, footrest stud ... ..                              | 2 |                |
| 13 | 14-0401 | Locknut ... ..  | 1 |                |
| 14 | F9279   | Footrest rubber D.S. ... ..                               | 1 |                |
| 15 | F9630   | Footrest rubber T.S. ... ..                               | 1 |                |
| 16 | F11597  | Rear engine plate D.S. ... ..                             | 1 |                |
| 17 | F11594  | Rear engine plate T.S. ... ..                             | 1 |                |
| 18 | F11598  | Spacer D.S. rear engine plate ... ..                      | 2 |                |
| 19 | 14-0222 | Bolt, D.S. rear engine plate to engine ... ..             | 2 |                |
| 20 | 14-0221 | Bolt, T.S. rear engine plate to engine ... ..             | 2 |                |
| 21 | S25-3   | Washer, rear engine plate to engine ... ..                | 8 |                |
| 22 | 14-1302 | Nut ... ..  | 4 |                |
| 23 | S548    | Stud, T.S. pivot lug to engine plate (1⅜ in. O.A.) ... .. | 1 |                |
| 24 | 14-0132 | Bolt, D.S. pivot lug to engine plate ... ..               | 1 |                |
| 25 | F3770   | Washer ... ..   | 1 |                |
| 26 | F7389   | Nut ... ..  | 2 |                |
| 27 | 14-0129 | Bolt, upper rear engine plate to frame ... ..             | 2 |                |
| 28 | 14-0234 | Bolt, lower rear engine plate to frame ... ..             | 2 |                |
| 29 | D2322   | Spring washer ... ..                                      | 4 |                |
| 30 | 14-1303 | Nut ... ..  | 4 |                |
| 31 | F9378   | Torque stay engine L.H. ... ..                            | 1 |                |
| 32 | F9378   | Torque stay engine R.H. ... ..                            | 1 |                |
| 33 | S25-2   | Washer ... ..   | 2 |                |
| 34 | 14-1303 | Nut ... ..  | 2 |                |
| 35 | 14-0237 | Bolt, torque stay to frame ... ..                         | 1 |                |
| 36 | D2321   | Washer ... ..   | 2 |                |
| 37 | 14-1302 | Nut ... ..  | 1 |                |
| 38 | F13224  | Rear brake pedal ... ..                                   | 1 |                |
| 39 | F6064   | Lever ... ..  | 1 |                |
| 40 | D2322   | Spring washer ... ..                                      | 1 |                |
| 41 | 14-1303 | Nut ... ..  | 1 |                |
| 42 | 14-0105 | Stop bolt... ..   | 1 |                |
| 43 | 14-0103 | Adjuster, stoplamp switch ... ..                          | 1 |                |
| 44 | 14-0401 | Nut, adjuster ... ..                                      | 2 |                |
| 45 | F13227  | Brake rod ... ..  | 1 |                |
| 46 | S25-13  | Washer ... ..   | 1 |                |
| 47 | —       | Split pin, (1/16 in. x 3/8 in.) ... ..                    |   | Reference only |
| 48 | F7387   | Adjuster nut ... ..                                       | 1 |                |
| 49 | F9529   | Oil pipe retaining strap ... ..                           | 1 |                |

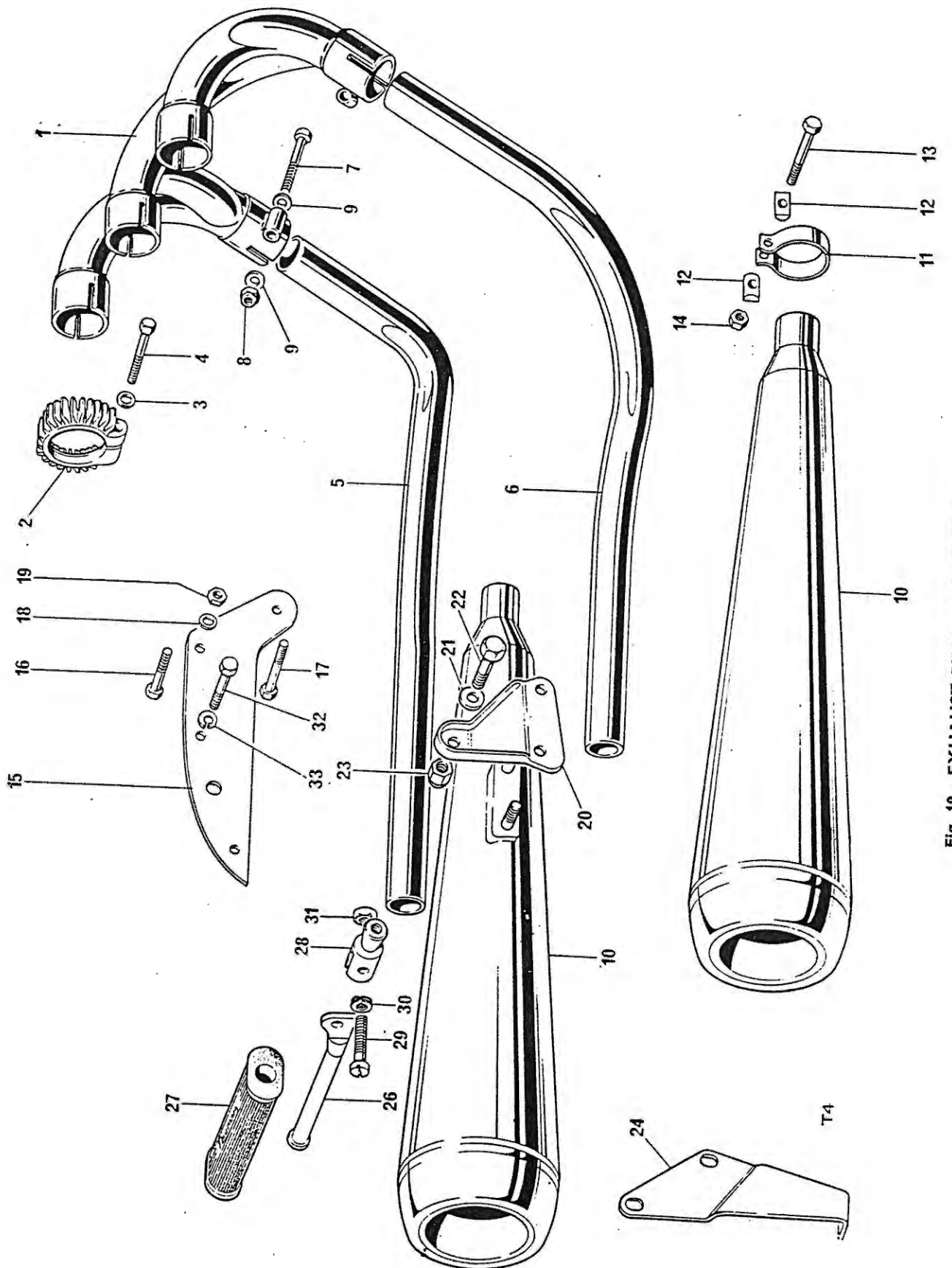


FIG. 19. EXHAUST PIPES AND MUFFLERS

**EXHAUST PIPES AND MUFFLERS**

|    |         |                                |   |                                |
|----|---------|--------------------------------|---|--------------------------------|
| 1  | E7597   | Exhaust manifold ... ..        | 1 |                                |
| 2  | E6743   | Finned clip ... ..             | 3 |                                |
| 3  | E410A   | Hemispherical washer ... ..    | 3 |                                |
| 4  | E6744   | Bolt ... ..                    | 3 |                                |
| 5  | E12451  | Exhaust pipe—D.S. ... ..       | 1 |                                |
| 6  | E12453  | Exhaust pipe—T.S. ... ..       | 1 |                                |
| 7  | 14-0205 | Bolt ... ..                    | 2 | } Exhaust pipe to manifold ... |
| 8  | 14-1201 | Nut ... ..                     | 2 |                                |
| 9  | S25-1   | Washer ... ..                  | 4 |                                |
| 10 | E12382  | Muffler ... ..                 | 2 |                                |
| 11 | E7512   | Clip ... ..                    | 2 | } Muffler to exhaust pipe      |
| 12 | E3768   | 'D' washer ... ..              | 4 |                                |
| 13 | 14-0219 | Bolt ... ..                    | 2 |                                |
| 14 | 14-1302 | Nut ... ..                     | 2 |                                |
| 15 | E4711   | Hanger ... ..                  | 2 |                                |
| 16 | 14-0115 | Bolt ... ..                    | 2 | } Hanger to frame              |
| 17 | 14-0116 | Bolt ... ..                    | 2 |                                |
| 18 | S25-3   | Washer ... ..                  | 4 |                                |
| 19 | 14-1302 | Nut ... ..                     | 4 |                                |
| 20 | E12460  | Bracket—D.S. ... ..            | 1 |                                |
| 20 | E12461  | Bracket—T.S. ... ..            | 1 |                                |
| 21 | S25-13  | Washer ... ..                  | 4 | } Bracket to muffler ...       |
| 22 | 14-0101 | Bolt ... ..                    | 4 |                                |
| 23 | 14-1201 | Nut ... ..                     | 4 |                                |
| 24 | F12033  | Centre stand stop plate ... .. | 1 |                                |
| 25 | F9369   | PILLION FOOTREST ... ..        | 2 |                                |
| 26 | F1694   | Pedal ... ..                   | 1 | } Each assembly                |
| 27 | F1695   | Rubber ... ..                  | 1 |                                |
| 28 | F9370   | Hanger ... ..                  | 1 |                                |
| 29 | F9371   | Pivot bolt ... ..              | 1 |                                |
| 30 | F2277   | Thackeray washer ... ..        | 1 |                                |
| 31 | 14-0302 | Nut ... ..                     | 1 |                                |
| 32 | S1910   | Bolt ... ..                    | 1 |                                |
| 33 | S26-1   | Spring washer ... ..           | 1 |                                |

FORK ASSEMBLY No.1

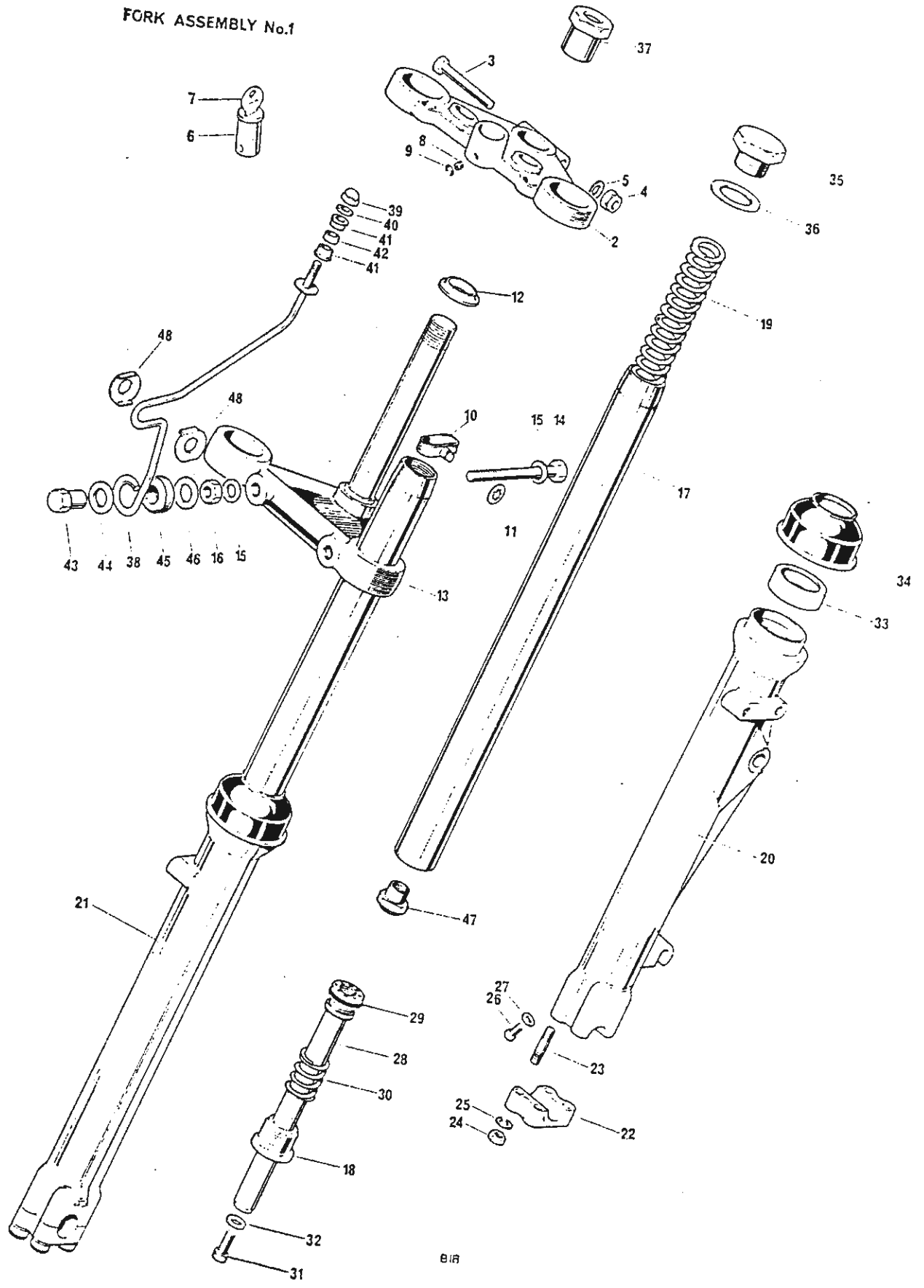


Fig. 20. TELESCOPIC FRONT FORK

**TELESCOPIC FRONT FORK**

|    |         |                                |   |                                |
|----|---------|--------------------------------|---|--------------------------------|
| 1  | H4245   | FORK ASSEMBLY                  | 1 |                                |
| 2  | H4035   | Top yoke                       | 1 |                                |
| 3  | 14-0234 | Pinch bolt                     | 1 |                                |
| 4  | 14-1303 | Nut                            | 1 |                                |
| 5  | S25-2   | Washer                         | 1 |                                |
| 6  | F6738   | Lock c/w 2 keys                | 1 |                                |
| 7  | D623    | Key (state serial No.)         | 1 |                                |
| 8  | S578    | Grub screw                     | 1 |                                |
| 9  | H2266   | Sealing washer                 | 1 |                                |
| 10 | F3098   | Brake cable retainer           | 1 |                                |
| 11 | F8245   | Starlock washer                | 1 |                                |
| 12 | H439    | Bottom cone                    | 1 |                                |
| 13 | H4138   | Bottom yoke and stem           | 1 |                                |
| 14 | 14-0238 | Pinch bolt                     | 2 |                                |
| 15 | S25-2   | Washer                         | 4 |                                |
| 16 | 14-1303 | Nut                            | 2 |                                |
| 17 | H4007   | Stanchion                      | 2 |                                |
| 18 | H4076   | End plug                       | 2 |                                |
| 19 | H4215   | Main spring                    | 2 |                                |
| 20 | H3954   | Outer member—R.H.              | 1 |                                |
| 21 | H3952   | Outer member—L.H.              | 1 |                                |
| 22 | H3947   | Cap wheel spindle              | 2 |                                |
| 23 | S2102   | Stud                           | 8 |                                |
| 24 | 14-0302 | Nut                            | 8 |                                |
| 25 | D2428   | Washer                         | 8 |                                |
| 26 | H3894   | Drain plug                     | 2 |                                |
| 27 | H3893   | Washer                         | 2 |                                |
| 28 | H4200   | Damper tube and valve assembly | 2 |                                |
| 29 | H4003   | "O" ring—damper valve          | 2 |                                |
| 30 | H4009   | Recoil spring                  | 2 |                                |
| 31 | 14-1019 | Cap screw—damper tube          | 2 |                                |
| 32 | H4004   | Cap screw seal                 | 2 |                                |
| 33 | H4001   | Oil seal outer member          | 2 |                                |
| 34 | H4002   | Scraper sleeve outer member    | 2 |                                |
| 35 | H4258   | Top cap nut                    | 2 |                                |
| 36 | H4166   | Washer                         | 2 |                                |
| 37 | H4159   | Steering stem nut              | 1 |                                |
| 38 | H4162   | Headlamp bracket—L.H.          | 1 |                                |
| 38 | H4163   | Headlamp bracket—R.H.          | 1 |                                |
| 39 | S1809   | Nut                            | 2 |                                |
| 40 | D2338   | Washer                         | 2 | Headlamp bracket top fixing    |
| 41 | F12209  | Bush                           | 4 |                                |
| 42 | F12211  | Spacer                         | 2 |                                |
| 43 | S2062   | Sleeve nut                     | 2 | Headlamp bracket bottom fixing |
| 44 | D2333   | Washer                         | 2 |                                |
| 45 | D2630   | Grommet                        | 2 |                                |
| 46 | F9046   | Washer                         | 2 |                                |
| 47 | H4244   | Nut—damper valve               | 2 |                                |
| 48 | F12216  | Clamp washer                   | 4 |                                |



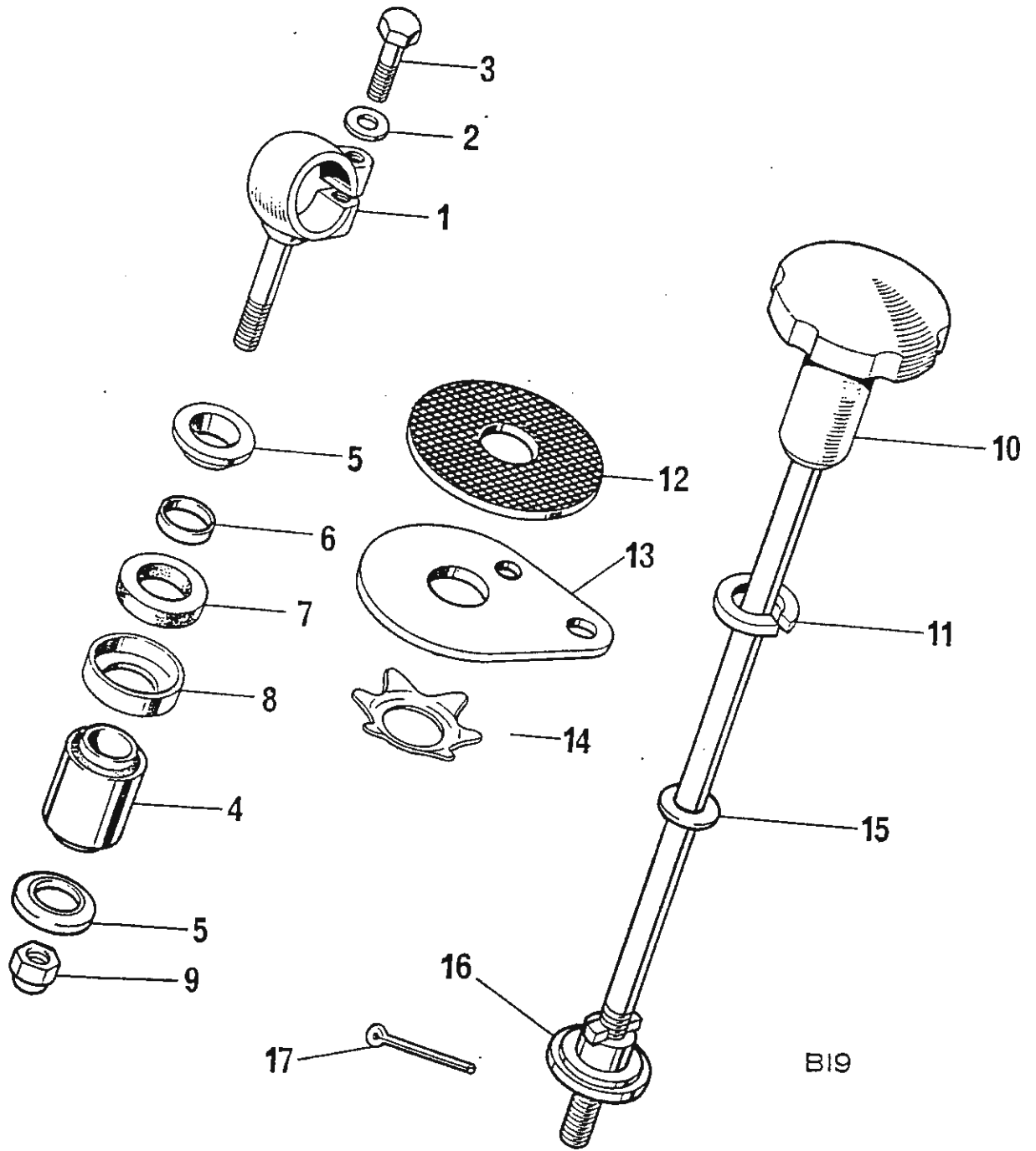
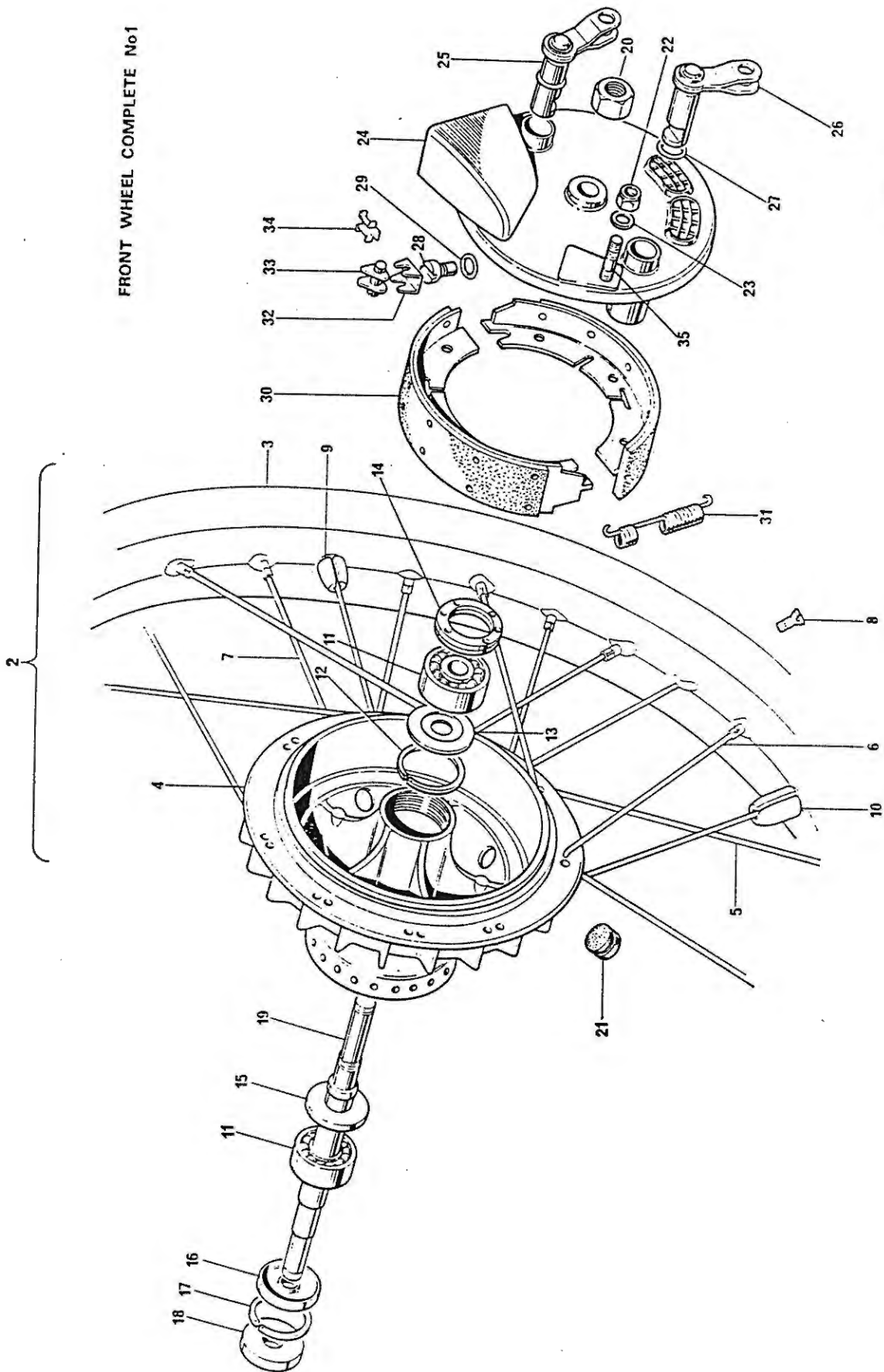


Fig. 21. HANDLEBAR MOUNTINGS AND STEERING DAMPER

**HANDLEBAR MOUNTINGS AND STEERING DAMPER**

|    |         |   |     |     |     |     |     |     |     |   |                  |
|----|---------|---|-----|-----|-----|-----|-----|-----|-----|---|------------------|
| 1  | H2291   | Handlebar eyebolt                               | ... | ... | ... | ... | ... | ... | ... | 2 |                  |
| 2  | F1335   | Washer  | ... | ... | ... | ... | ... | ... | ... | 2 |                  |
| 3  | S589    | Bolt  | ... | ... | ... | ... | ... | ... | ... | 2 |                  |
| 4  | H1527   | Metalastic bush                                 | ... | ... | ... | ... | ... | ... | ... | 2 |                  |
| 5  | H1529   | Hemispherical washer                            | ... | ... | ... | ... | ... | ... | ... | 4 |                  |
| 6  | H1581   | Distance piece                                  | ... | ... | ... | ... | ... | ... | ... | 2 |                  |
| 7  | H1580   | Rubber washer                                   | ... | ... | ... | ... | ... | ... | ... | 2 |                  |
| 8  | H2221   | Cup   | ... | ... | ... | ... | ... | ... | ... | 2 |                  |
| 9  | 14-1303 | Nut   | ... | ... | ... | ... | ... | ... | ... | 2 |                  |
| 10 | H3875   | Steering damper rod c/w knob                    | ... | ... | ... | ... | ... | ... | ... | 1 | } Available      |
| 11 | D2438   | Spring washer                                   | ... | ... | ... | ... | ... | ... | ... | 1 |                  |
| 12 | H435    | Friction disc                                   | ... | ... | ... | ... | ... | ... | ... | 1 |                  |
| 13 | H1797   | Anchor plate                                    | ... | ... | ... | ... | ... | ... | ... | 1 |                  |
| 14 | H95     | Spring plate                                    | ... | ... | ... | ... | ... | ... | ... | 1 |                  |
| 15 | D2329   | Washer  | ... | ... | ... | ... | ... | ... | ... | 1 |                  |
| 16 | H4102   | Bottom nut                                      | ... | ... | ... | ... | ... | ... | ... | 1 | } Reference only |
| 17 | —       | Split pin ( $\frac{3}{32} \times \frac{1}{2}$ ) | ... | ... | ... | ... | ... | ... | ... |   |                  |

FRONT WHEEL COMPLETE No1

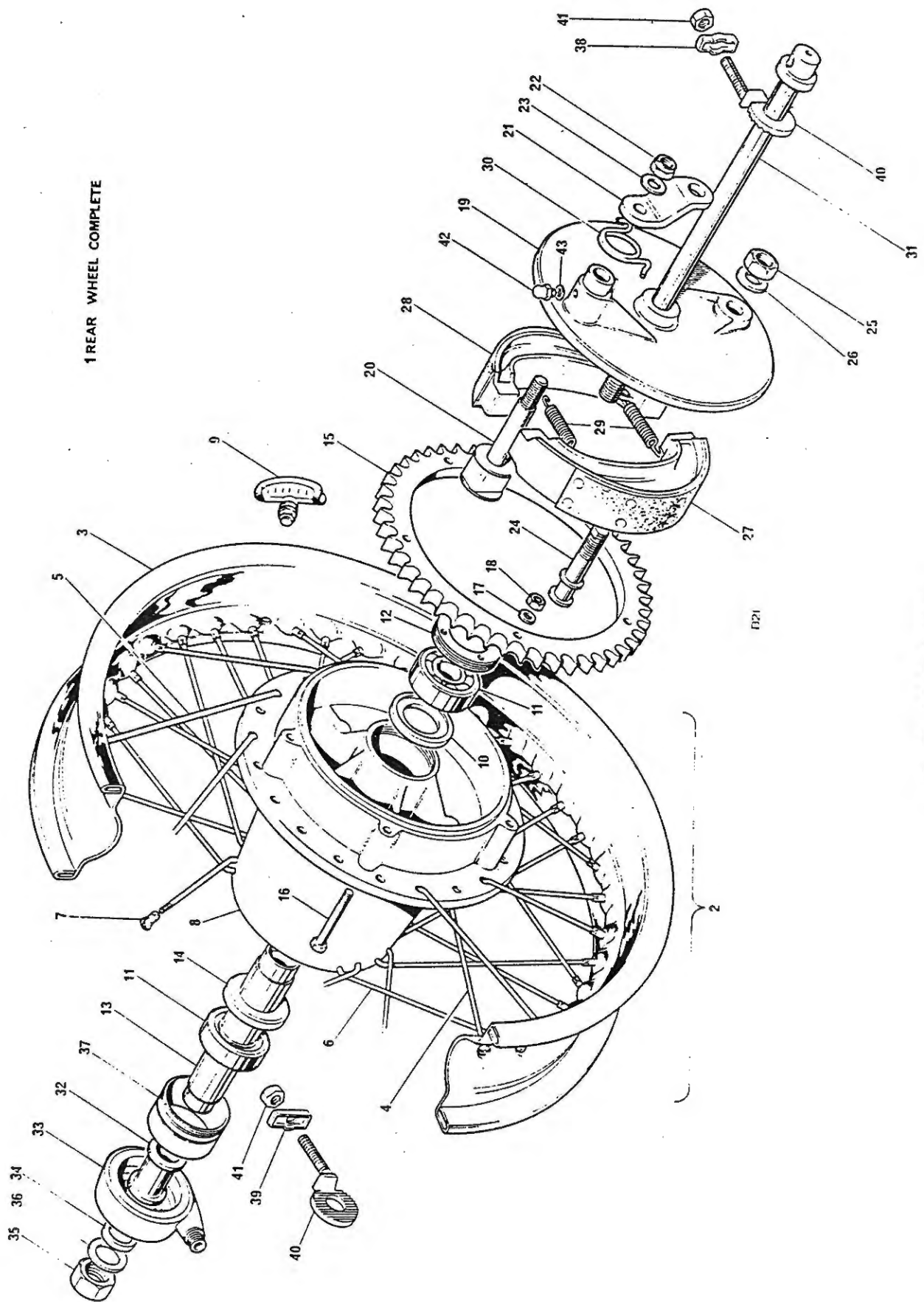


B20

FIG. 22. FRONT WHEEL

**FRONT WHEEL**

|    |         |                                   |             |                            |
|----|---------|-----------------------------------|-------------|----------------------------|
| 1  | W3904   | FRONT WHEEL COMPLETE              | 1           |                            |
| 2  | W3844   | RIM, SPOKES AND HUB ASSEMBLY      | 1           |                            |
| 3  | W3818   | Wheel rim (WM2-19)                | 1           |                            |
| 4  | W3658   | Brake drum and hub                | 1           |                            |
| 5  | W3820   | Spoke (R.H. inner)                | 10          |                            |
| 6  | W3819   | Spoke (R.H. outer)                | 10          |                            |
| 7  | W3821   | Spoke (L.H.)                      | 20          |                            |
| 8  | W2294   | Nipple                            | 40          |                            |
| 9  | W3969   | Balance weight (short)            | As required |                            |
| 10 | W3970   | Balance weight (long)             | As required |                            |
| 11 | W653    | Bearing                           | 2           |                            |
| 12 | D2632   | Circlip R.H.                      | 1           |                            |
| 13 | W3797   | Grease retainer R.H.              | 1           |                            |
| 14 | W3759   | Lock ring R.H.                    | 1           |                            |
| 15 | W1481   | Grease cap inner L.H.             | 1           |                            |
| 16 | W1237   | Grease cap outer L.H.             | 1           |                            |
| 17 | T280    | Circlip L.H.                      | 1           |                            |
| 18 | W3932   | Distance piece                    | 1           |                            |
| 19 | W3796   | Wheel spindle                     | 1           |                            |
| 20 | W2058   | Nut wheel spindle                 | 1           |                            |
| 21 | D3669   | Grommet brake drum                | 1           |                            |
| 22 | 14-1303 | Nut                               | 1           | } Anchor plate to fork leg |
| 23 | D2340   | Washer                            | 1           |                            |
| 24 | W3655   | Brake anchor plate                | 1           |                            |
| 25 | W3987   | Brake lever front                 | 1           |                            |
| 26 | W3986   | Brake lever rear                  | 1           |                            |
| 27 | D2639   | "O" ring—brake cam                | 2           |                            |
| 28 | W3762   | Tappet brake cam                  | 2           |                            |
| 29 | W3761   | "O" ring—brake tappet             | 2           |                            |
| 30 | W3713   | Brake shoe complete               | 2           |                            |
| 31 | W3714   | Return spring                     | 2           |                            |
| 32 | W3715   | Cage brake shoe adjuster          | 2           |                            |
| 33 | W3716   | Micram adjuster                   | 2           |                            |
| 34 | W3717   | Abutment pressing                 | 2           |                            |
| 35 | 14-1635 | Stud—anchor plate torque reaction | 1           |                            |



Ref. No. Part No. DESCRIPTION QUANTITY REMARKS

REAR WHEEL

| Ref. No. | Part No. | DESCRIPTION                                   | QUANTITY | REMARKS |
|----------|----------|---|----------|---------|
| 1        | W3954    | REAR WHEEL COMPLETE ... ..                    | 1        |         |
| 2        | W3900    | RIM SPOKES AND HUB ASSEMBLY ... ..            | 1        |         |
| 3        | W3920    | Rim (WM 3 x 19) ... ..                        | 1        |         |
| 4        | W3921    | Spoke (inner—L.H.) ... ..                     | 1        |         |
| 5        | W3922    | Spoke (outer—L.H.) ... ..                     | 10       |         |
| 6        | W3923    | Spoke—R.H. ... ..                             | 20       |         |
| 7        | W2294    | Nipple ... ..                                 | 40       |         |
| 8        | W3773    | Hub and brake drum ... ..                     | 1        |         |
| 9        | W3468    | Tyre security bolt ... ..                     | 2        |         |
| 10       | W3749    | Support ring—L.H. ... ..                      | 1        |         |
| 11       | W653     | Bearing ... ..                                | 2        |         |
| 12       | W3752    | Locking ring—L.H. ... ..                      | 1        |         |
| 13       | W3753    | Spacer ... ..                                 | 1        |         |
| 14       | W1654    | Grease retainer—R.H. ... ..                   | 1        |         |
| 15       | W3903    | Sprocket 53 teeth ... ..                      | 1        |         |
| 16       | 14-0207  | Bolt ... ..                                   | 5        |         |
| 17       | D2320    | Washer } Sprocket to hub ... ..               | 5        |         |
| 18       | 14-1301  | Nut } ... ..                                  | 5        |         |
| 19       | W3856    | Brake anchor plate ... ..                     | 1        |         |
| 20       | W3872    | Brake cam ... ..                              | 1        |         |
| 21       | W3916    | Brake lever ... ..                            | 1        |         |
| 22       | 14-1303  | Nut ... ..                                    | 1        |         |
| 23       | D2331    | Washer ... ..                                 | 1        |         |
| 24       | W3870    | Brake pivot ... ..                            | 1        |         |
| 25       | 14-0305  | Nut ... ..                                    | 1        |         |
| 26       | D2431    | Washer } Brake pivot to torque arm ... ..     | 1        |         |
| 27       | W3925    | Brake shoe complete (leading) ... ..          | 1        |         |
| 28       | W3926    | Brake shoe complete (trailing) ... ..         | 1        |         |
| 29       | W2328    | Return spring (brake shoe) ... ..             | 2        |         |
| 30       | W3880    | Return spring (brake lever) ... ..            | 1        |         |
| 31       | W3980    | Wheel spindle ... ..                          | 1        |         |
| 32       | W3750    | Distance piece inner ... ..                   | 1        |         |
| 33       | D3213    | Speedometer drive gearbox ... ..              | 1        |         |
| 34       | W3901    | Distance piece outer ... ..                   | 1        |         |
| 35       | 14-1307  | Nut ... ..                                    | 1        |         |
| 36       | W3976    | Washer } Wheel spindle ... ..                 | 1        |         |
| 37       | W3751    | Speedometer drive ring ... ..                 | 1        |         |
| 38       | W1015    | Cover plate—swinging arm fork end—L.H. ... .. | 1        |         |
| 39       | W3961    | Cover plate—swinging arm fork end—R.H. ... .. | 1        |         |
| 40       | W3919    | Chain adjuster ... ..                         | 2        |         |
| 41       | 14-1902  | Nut—chain adjuster ... ..                     | 2        |         |
| 42       | D1841    | Grease nipple ... ..                          | 1        |         |
| 43       | WE170    | Fibre washer ... ..                           | 1        |         |

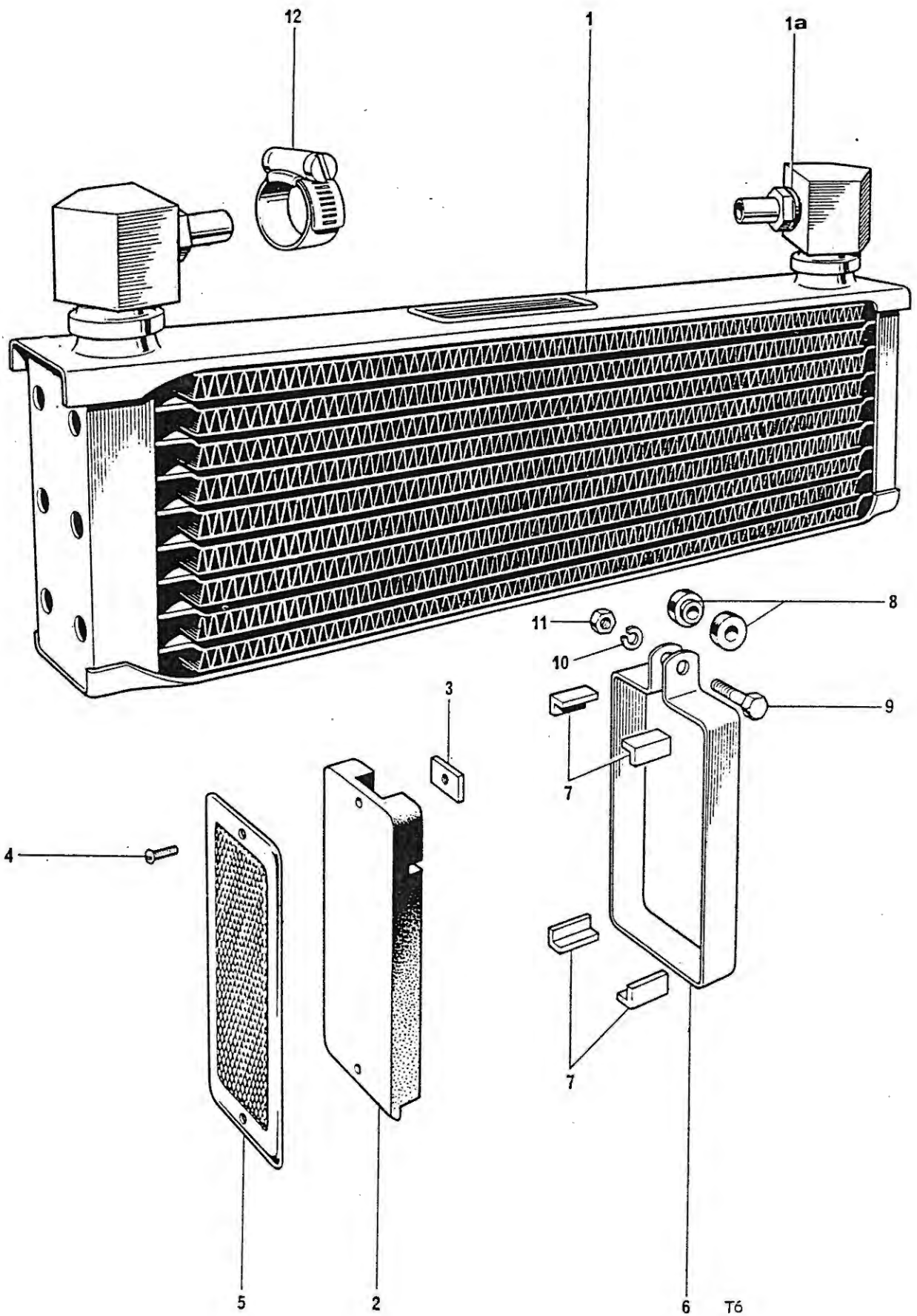


Fig. 24. OIL COOLER

**OIL COOLER GROUP**

|    |        |   |                |  |
|----|--------|---|----------------|--|
| 1  | F9315  | Oil cooler, including unions ... ..         | 1              |  |
| 1A | M10441 | Washer (Cov. Rad.) ... ..                   | Reference only |  |
| 2  | F9907  | Reflector rubber and plate ... ..           | 2              |  |
| 3  | F9573  | Reflector nut ... ..                        | 4              |  |
| 4  | S1940  | Reflector screw ... ..                      | 4              |  |
| 5  | 57160  | Reflector (99-1119) ... ..                  | 2              |  |
| 6  | F9317  | Support strap ... ..                        | 2              |  |
| 7  | F9322  | Corner packing ... ..                       | 8              |  |
| 8  | F9321  | Rubber bush ... ..                          | 4              |  |
| 9  | F9323  | Clamp bolt ( $\frac{3}{8}$ in. U.H.) ... .. | 2              |  |
| 10 | E2351  | Spring washer ... ..                        | 2              |  |
| 11 | F4717  | Nut ... ..                                  | 2              |  |
| 12 | D702   | Clip ... ..                                 | 2              |  |



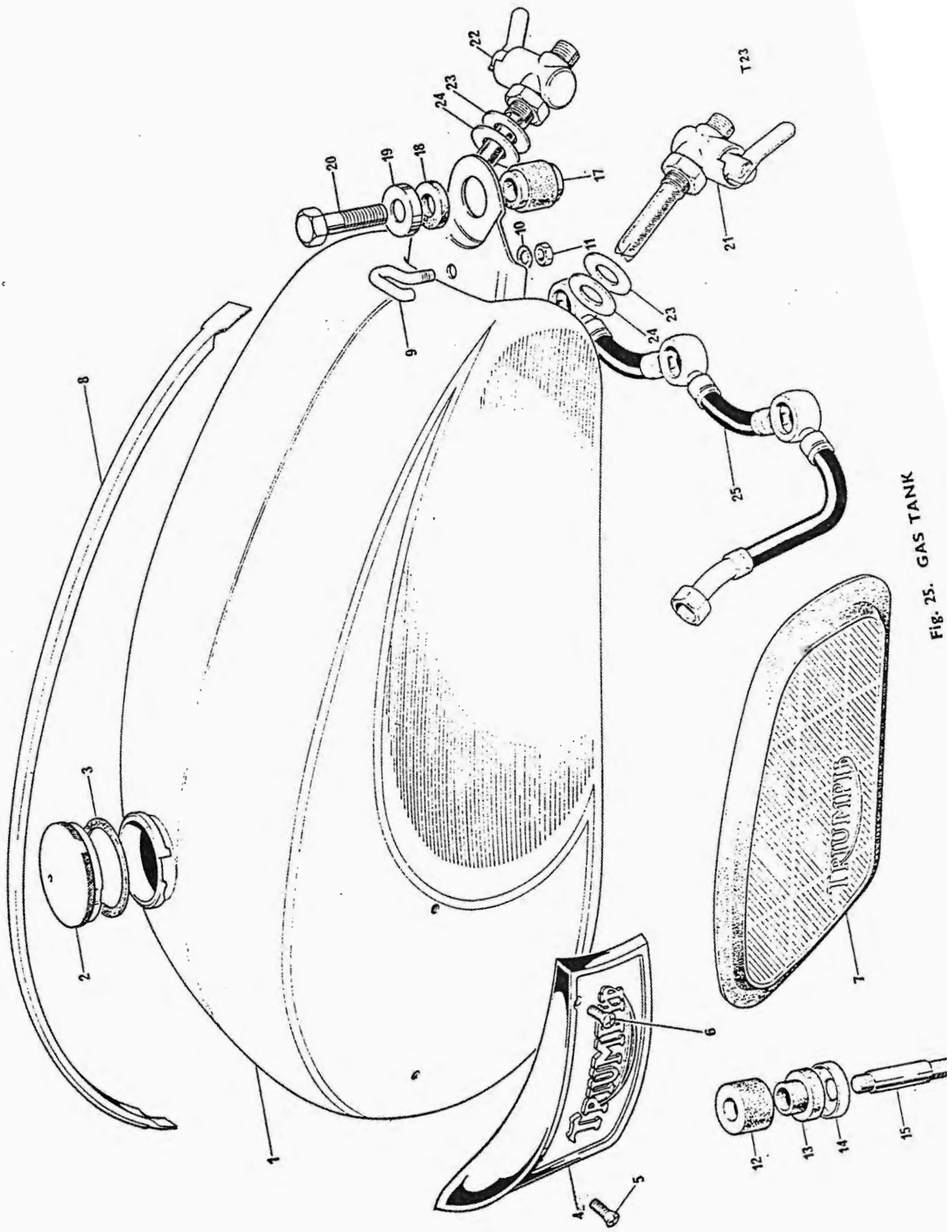


Fig. 25. GAS TANK

**GAS TANK**

|            |         |                                |                            |     |     |     |     |     |   |
|------------|---------|--------------------------------|----------------------------|-----|-----|-----|-----|-----|---|
| 1          | F12036  | Gas tank                       | ...                        | ... | ... | ... | ... | ... | 1 |
| Not illus. | A56     | Transfer "World Record Holder" | ...                        | ... | ... | ... | ... | ... | 1 |
| 2          | F13875  | Filler cap                     | ...                        | ... | ... | ... | ... | ... | 1 |
| 3          | F4048   | Joint washer                   | ...                        | ... | ... | ... | ... | ... | 1 |
| 4          | F9701   | Styling unit—D.S.              | ...                        | ... | ... | ... | ... | ... | 1 |
| 4          | F9700   | Styling unit—T.S.              | ...                        | ... | ... | ... | ... | ... | 1 |
| 5          | F11339  | Screw—front                    | } Styling unit to tank ... | ... | ... | ... | ... | ... | 2 |
| 6          | F7888   | Screw—rear                     |                            | ... | ... | ... | ... | ... | 2 |
| 7          | F8192   | Knee grip—D.S.                 | ...                        | ... | ... | ... | ... | ... | 1 |
| 7          | F8193   | Knee grip—T.S.                 | ...                        | ... | ... | ... | ... | ... | 1 |
| 8          | F12034  | Centre band                    | ...                        | ... | ... | ... | ... | ... | 1 |
| 9          | F10008  | Hook screw                     | ...                        | ... | ... | ... | ... | ... | 1 |
| 10         | F4019   | Washer                         | ...                        | ... | ... | ... | ... | ... | 1 |
| 11         | H919]   | Nut                            | ...                        | ... | ... | ... | ... | ... | 1 |
| 12         | F5228   | Top rubber                     | ...                        | ... | ... | ... | ... | ... | 2 |
| 13         | F9543   | Spigotted rubber               | .....                      | ... | ... | ... | ... | ... | 2 |
| 14         | F3814   | Bottom cup                     | ...                        | ... | ... | ... | ... | ... | 2 |
| 15         | S2019   | Stud                           | ...                        | ... | ... | ... | ... | ... | 2 |
| 16         | 14-1302 | Nut                            | ...                        | ... | ... | ... | ... | ... | 2 |
| 17         | F5336   | Mounting rubber                | ...                        | ... | ... | ... | ... | ... | 1 |
| 18         | F967    | Rubber washer                  | ...                        | ... | ... | ... | ... | ... | 1 |
| 19         | F3814   | Cup                            | ...                        | ... | ... | ... | ... | ... | 1 |
| 20         | F7388   | Bolt                           | ...                        | ... | ... | ... | ... | ... | 1 |
| 21         | F12801  | Gas tap—reserve                | ...                        | ... | ... | ... | ... | ... | 1 |
| 22         | F12800  | Gas tap                        | ...                        | ... | ... | ... | ... | ... | 1 |
| 23         | F10002  | Washer                         | ...                        | ... | ... | ... | ... | ... | 2 |
| 24         | E7351   | Tap seal                       | ...                        | ... | ... | ... | ... | ... | 2 |
| 25         | F13154  | Gas pipe                       | ...                        | ... | ... | ... | ... | ... | 1 |

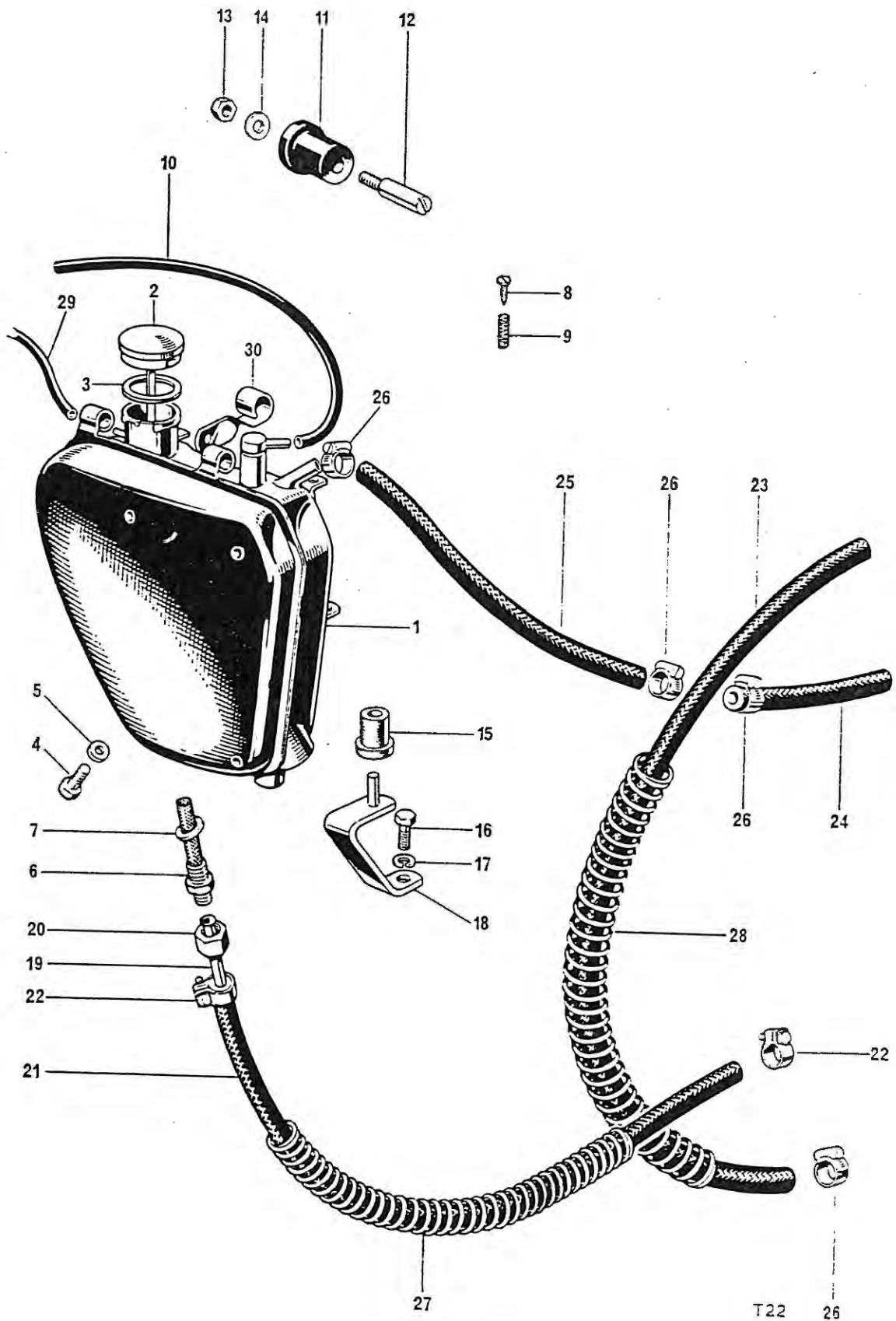


Fig. 26. OIL TANK

**OIL TANK**

|            |            |   |   |  |
|------------|------------|---|---|--|
| 1          | F11761     | Oil tank ... ..                           | 1 |  |
| Not illus. | A40 (D778) | Transfer (gilt) ... ..                    | 1 |  |
| Not illus. | A44 (D44)  | Transfer (gilt) ... ..                    | 1 |  |
| Not illus. | A3         | Transfer (gilt) ... ..                    | 1 |  |
| 2          | F9659      | Filler cap ... ..                         | 1 |  |
| 3          | F4047      | Joint washer ... ..                       | 1 |  |
| 4          | F5343      | Drain plug ... ..                         | 1 |  |
| 5          | 99-0048    | Fibre washer ... ..                       | 1 |  |
| 6          | F9430      | Filter ... ..                             | 1 |  |
| 7          | F1713      | Fibre washer ... ..                       | 1 |  |
| 8          | F9435      | Metering screw ... ..                     | 1 |  |
| 9          | F6874      | Metering screw spring ... ..              | 1 |  |
| 10         | F9664      | Extension pipe, froth tower ... ..        | 1 |  |
| 11         | F6673      | Spigotted rubber ... ..                   | 2 |  |
| 12         | F7510      | Peg, tank to frame ... ..                 | 2 |  |
| 13         | 14-1301    | Nut, tank to frame ... ..                 | 2 |  |
| 14         | S25-13     | Washer, tank to frame ... ..              | 2 |  |
| 15         | F6039      | Bottom grommet ... ..                     | 1 |  |
| 16         | S1822      | Bottom bolt ... ..                        | 1 |  |
| 17         | S26-3      | Spring washer ... ..                      | 1 |  |
| 18         | F9588      | Bottom bracket ... ..                     | 1 |  |
| 19         | F3655      | Oil feed pipe top half ... ..             | 1 |  |
| 20         | F3182      | Union nut ... ..                          | 1 |  |
| 21         | E8904      | Oil pipe flex tank, to engine ... ..      | 1 |  |
| 22         | E6848      | Oil pipe clip ... ..                      | 2 |  |
| 23         | E8905      | Oil pipe engine to oil cooler ... ..      | 1 |  |
| 24         | E11742     | Rocker to oil cooler flexible pipe ... .. | 1 |  |
| 25         | E11743     | Cooler to oil tank flexible pipe ... ..   | 1 |  |
| 26         | D702       | Clip oil return pipe ... ..               | 4 |  |
| 27         | F9530      | Feed pipe protection spring ... ..        | 1 |  |
| 28         | F9531      | Scavenge pipe spring ... ..               | 1 |  |
| 29         | F9526      | Rear chain oiler pipe ... ..              | 1 |  |
| Not illus. | F9918      | Clip, oil pipes to frame ... ..           | 2 |  |
| 30         | F11549     | Clip for choke cable ... ..               | 1 |  |

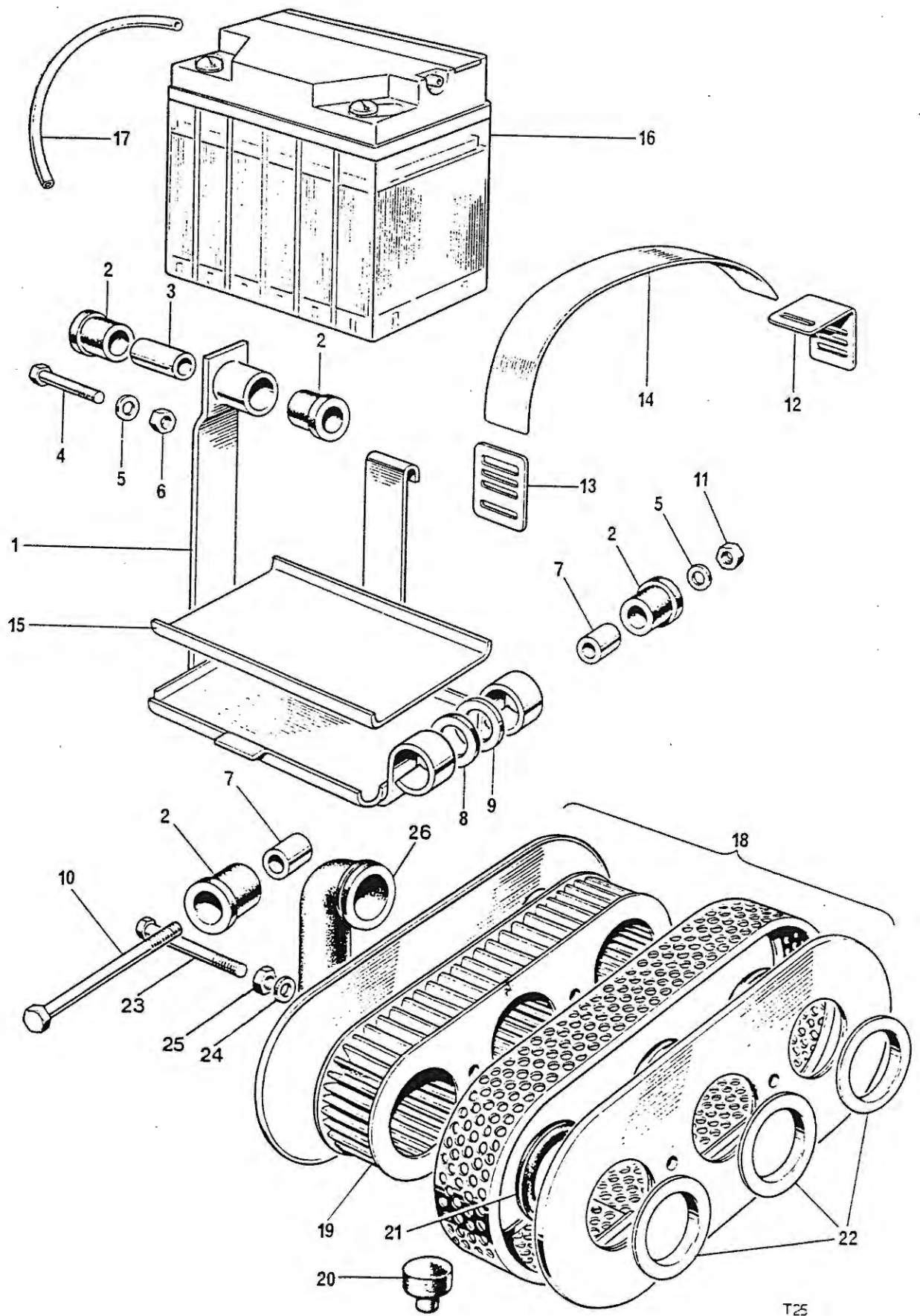


Fig. 27. BATTERY CARRIER AND AIR FILTER

T25

Ref. No. Part No.

DESCRIPTION

QUANTITY REMARKS

## BATTERY CARRIER AND AIR FILTER

| Ref. No.   | Part No. | DESCRIPTION                     | QUANTITY | REMARKS |
|------------|----------|---------------------------------|----------|---------|
| 1          | F9343    | Battery carrier ... ..          | 1        |         |
| 2          | F9351    | Spigotted rubber bush ... ..    | 4        |         |
| 3          | F9349    | Top distance tube ... ..        | 1        |         |
| 4          | 14-0222  | Top bolt... ..                  | 1        |         |
| 5          | S25-3    | Washer ... ..                   | 2        |         |
| 6          | 14-1302  | Nut ... ..                      | 1        |         |
| 7          | F9350    | Bottom distance tube ... ..     | 2        |         |
| 8          | F9352    | Rubber washer ... ..            | 2        |         |
| 9          | F4299    | Washer ... ..                   | 2        |         |
| 10         | 14-0228  | Bolt ... ..                     | 1        |         |
| 11         | 14-1302  | Nut ... ..                      | 1        |         |
| 12         | F9354    | Strap buckle top ... ..         | 1        |         |
| 13         | F9355    | Strap buckle bottom ... ..      | 1        |         |
| 14         | F9353    | Retaining strap ... ..          | 1        |         |
| 15         | F8091    | Rubber battery tray ... ..      | 1        |         |
| Not illus. | A52      | Transfer, positive earth ... .. | 1        |         |
| 16         | 54027029 | Battery PUZ5A (99-0719) ... ..  | 1        |         |
| 17         | F7431    | Battery vent pipe ... ..        | 1        |         |
| 18         | D2567    | AIR CLEANER C/W ELEMENT ... ..  | 1        |         |
| 19         | E9138    | Element ... ..                  | 1        |         |
| 20         | F7835    | Buffer ... ..                   | 1        |         |
| 21         | F9562    | Grommet ... ..                  | 3        |         |
| 22         | E9586    | Sleeve ... ..                   | 3        |         |
| 23         | 14-0213  | Bolt ... ..                     | 1        |         |
| 24         | S602     | Washer ... ..                   | 2        |         |
| 25         | 14-0401  | Locknut ... ..                  | 2        |         |
| 26         | F9563    | Connector hose ... ..           | 1        |         |

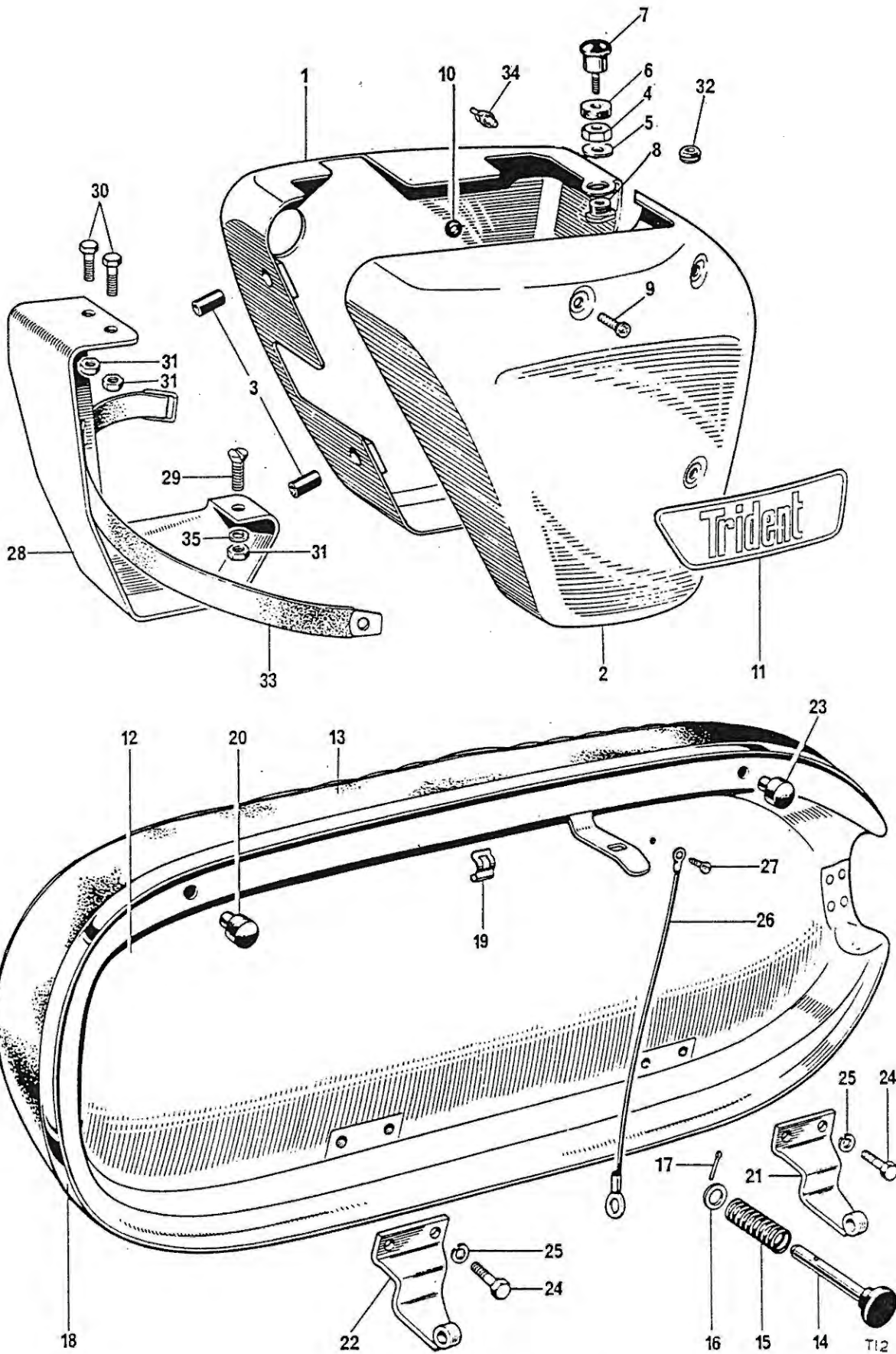


Fig. 28. PANELS AND TWINSEAT

**PANELS AND TWINSEAT**

|    |         |   |   |                |
|----|---------|---|---|----------------|
| 1  | F13236  | D.S. Panel  | 1 |                |
| 2  | F12031  | T.S. Panel  | 1 |                |
| 3  | F6673   | Grommet   | 2 |                |
| 4  | S1833   | Lock nut  | 1 |                |
| 5  | S25-71  | Washer  | 1 |                |
| 6  | F9442   | Rubber spacer                                       | 1 |                |
| 7  | F9445   | Release knob  | 1 |                |
| 8  | F9590   | Boss  | 1 |                |
| 9  | 14-2205 | Screw T.S. panel to oil tank                        | 4 |                |
| 10 | F9442   | Grommet   | 3 |                |
| 11 | D2565   | Transfer 'Trident' D.S.                             | 1 |                |
| 11 | D2564   | Transfer 'Trident' T.S.                             | 1 |                |
| 12 | F12039  | TWINSEAT  | 1 |                |
| 13 | F12239  | Twinseat cover                                      | 1 |                |
| 14 | F7560   | Knob  | 1 |                |
| 15 | F4228   | Spring  | 1 |                |
| 16 | E1719   | Washer  | 1 |                |
| 17 | —       | Split pin ( $\frac{3}{32}$ in. x $\frac{1}{2}$ in.) |   | Reference only |
| 18 | D696    | Trim strip  | 1 |                |
| 19 | D697    | Sprag   | 4 |                |
| 20 | F4898   | Buffer  | 2 |                |
| 21 | F8026   | Front hinge   | 1 |                |
| 22 | F7862   | Rear hinge  | 1 |                |
| 23 | F7835   | Buffer  | 2 |                |
| 24 | 14-0101 | Bolt, hinge   | 4 |                |
| 25 | S26-2   | Spring washer                                       | 4 |                |
| 26 | D2087   | Check wire  | 1 |                |
| 27 | D2381   | Self tapping screw                                  | 1 |                |
| 28 | F9650   | Toolbox   | 1 |                |
| 29 | 14-0503 | Screw, toolbox to battery carrier                   | 1 |                |
| 30 | 14-0102 | Bolt  | 2 |                |
| 31 | 14-1301 | Nut   | 3 |                |
| 32 | F9770   | Panel buffer  | 2 |                |
| 33 | F9749   | Toolroll strap                                      | 1 |                |
| 34 | D2524   | Clip, clutch cable                                  | 1 |                |
| 35 | F4299   | Washer  | 3 |                |



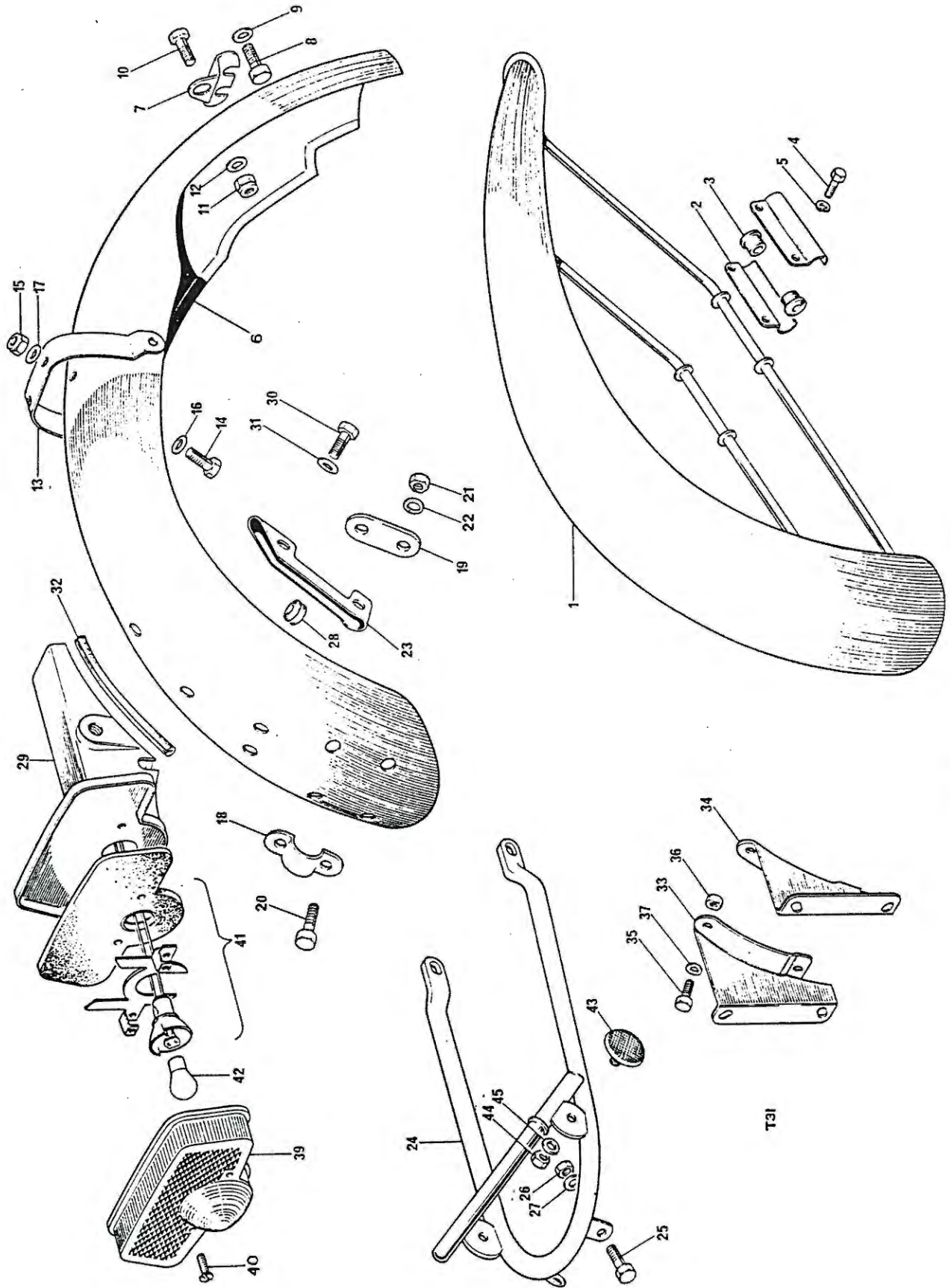
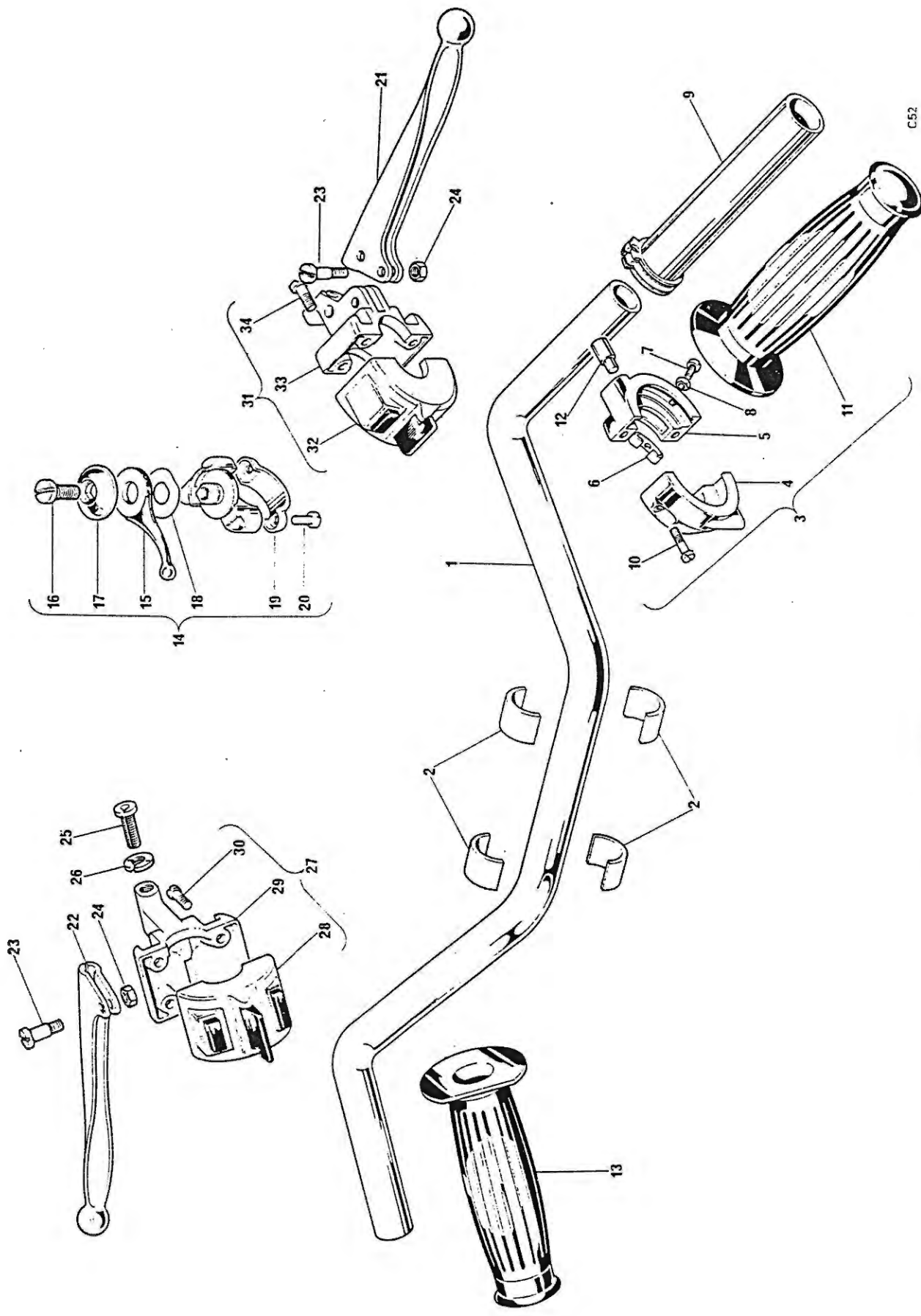


Fig. 29. FENDERS AND TAIL LAMP

**FENDERS AND TAIL LAMP**

|    |          |                                |   |  |
|----|----------|--------------------------------|---|--|
| 1  | H4146    | Front fender                   | 1 |  |
| 2  | H4022    | Bracket                        | 4 |  |
| 3  | H4021    | Rubber bush                    | 4 | } Stay to fork leg                     |
| 4  | 14-0103  | Bolt ...                       | 4 |  |
| 5  | D2427    | Washer ...                     | 4 |  |
| 6  | F13232   | Rear fender                    | 1 |  |
| 7  | F6851    | Bracket (bottom front)         | 1 |  |
| 8  | S1822    | Bolt                           | 2 | } Bracket to pivotlug                  |
| 9  | S26-3    | Washer                         | 2 |  |
| 10 | 14-0101  | Bolt                           | 1 | } Bracket to mudguard                  |
| 11 | 14-1201  | Nut                            | 1 |  |
| 12 | F6310    | Washer                         | 1 |  |
| 13 | F6915    | Bridge                         | 1 |  |
| 14 | 14-0102  | Bolt                           | 2 | } Bridge to mudguard                   |
| 15 | 14-1201  | Nut                            | 2 |  |
| 16 | S25-1    | Washer                         | 2 |  |
| 17 | F6310    | Washer                         | 2 |  |
| 18 | F5994    | Clip-guard to frame rail       | 1 |  |
| 19 | F6031    | Backing plate                  | 1 |  |
| 20 | S1822    | Bolt                           | 2 | } Clip to mudguard                     |
| 21 | 14-1302  | Nut                            | 2 |  |
| 22 | S25-3    | Washer                         | 2 |  |
| 23 | F7826    | Wiring protector               | 1 |  |
| 24 | F12879   | Lifting handle                 | 1 |  |
| 25 | 14-0102  | Bolt                           | 2 | } Lifting handle to mudguard           |
| 26 | 14-1301  | Nut                            | 2 |  |
| 27 | S25-1    | Washer                         | 2 |  |
| 28 | 199001   | Grommet, tail lamp lead        |   | Reference only                         |
| 29 | F12877   | Tail lamp support              | 1 |  |
| 30 | 14-0101  | Bolt                           | 2 | } Tail lamp support to fender          |
| 31 | D2426    | Washer                         | 2 |  |
| 32 | F13275   | Rubber strip                   | 2 |  |
| 33 | F12727   | Rear number plate bracket—L.H. | 1 |  |
| 34 | F12728   | Rear number plate bracket—R.H. | 1 |  |
| 35 | 14-0101  | Bolt                           | 2 | } Number plate bracket to fender—lower |
| 36 | 14-0301  | Nut                            | 2 |  |
| 37 | D2328    | Washer                         | 2 |  |
| 38 | 53973    | STOP-TAIL LAMP (99-0597)       | 1 |  |
| 39 | 54577109 | Lens and window (99-1046)      | 1 |  |
| 40 | 144921   | Screw (99-1189)                | 2 |  |
| 41 | 54525286 | Lamp base assembly             |   | Reference only                         |
| 42 | 380      | Bulb (99-0542)                 | 1 |  |
| 43 | 57079    | Reflector—red (99-1162)        | 2 |  |
| 44 | F4717    | Nut                            | 2 | } Reflector attachment                 |
| 45 | D2391    | Washer                         | 2 |  |



C52

FIG. 30. HANDLEBAR AND CONTROL LEVERS

### HANDLEBAR AND CONTROL LEVERS

|    |          |                                    |   |                |
|----|----------|------------------------------------|---|----------------|
| 1  | H4093    | Handlebar ... ..                   | 1 |                |
| 2  | H1425    | Packing piece ... ..               | 4 |                |
| 3  | 364/11   | TWISTGRIP (99-1102) ... ..         | 1 |                |
| 4  | 364/013  | Body, top half ... ..              | 1 |                |
| 5  | 364/014  | BODY, BOTTOM HALF (99-0246) ... .. | 1 |                |
| 6  | 16/008   | Friction spring ... ..             |   | Reference only |
| 7  | 16/009   | Screw ... ..                       |   | Reference only |
| 8  | 16/010   | Locknut ... ..                     |   | Reference only |
| 9  | 364/017  | Rotor (99-0244) ... ..             | 1 |                |
| 10 | 11/013   | Screw (99-0225) ... ..             | 2 |                |
| 11 | H2125    | Grip ... ..                        | 1 |                |
| 12 | 16/011   | Cable stop ... ..                  |   | Reference only |
| 13 | H2124    | Grip—L.H. ... ..                   | 1 |                |
| 14 | 12/608   | AIR CONTROL LEVER (D3246) ... ..   | 1 |                |
| 15 | 12/556   | Lever ... ..                       |   | Reference only |
| 16 | 12/607   | Bolt ... ..                        |   | Reference only |
| 17 | 12/606   | Cap ... ..                         |   | Reference only |
| 18 | 12/033   | Spring washer ... ..               |   | Reference only |
| 19 | 12/040   | Clamp ... ..                       |   | Reference only |
| 20 | 11/014   | Screw ... ..                       |   | Reference only |
| 21 | D3583    | Front brake lever (alloy) ... ..   | 1 |                |
| 22 | D3657    | Clutch lever (alloy) ... ..        | 1 |                |
| 23 | S2048    | Pivot pin ... ..                   | 2 |                |
| 24 | 14-1301  | Nut ... ..                         | 2 |                |
| 25 | D3585    | Adjuster ... ..                    | 2 |                |
| 26 | D3586    | Lockring ... ..                    | 2 |                |
| 27 | 39595    | HANDLEBAR SWITCH—L.H. ... ..       |   | Reference only |
| 28 | 54033666 | Switch half ... ..                 |   | Reference only |
| 29 | 54340883 | Lever half (99-1215) ... ..        | 1 |                |
| 30 | 54115246 | Screw (99-1188) ... ..             | 4 |                |
| 31 | 39596    | HANDLEBAR SWITCH—R.H. ... ..       |   | Reference only |
| 32 | 54033667 | Switch half ... ..                 |   | Reference only |
| 33 | 54340882 | Lever half (99-1187) ... ..        | 1 |                |
| 34 | 54115246 | Screw (99-1188) ... ..             | 4 |                |

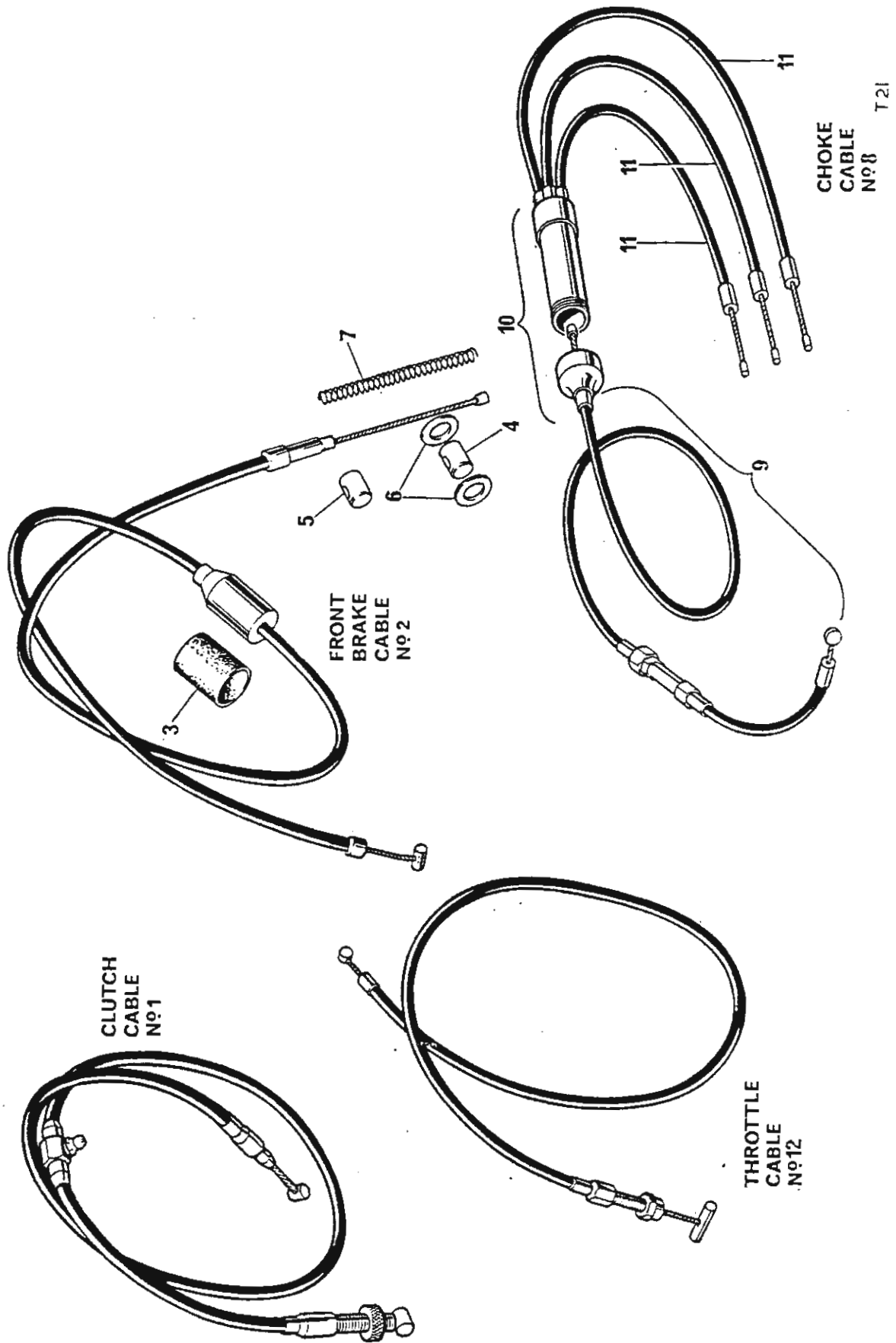
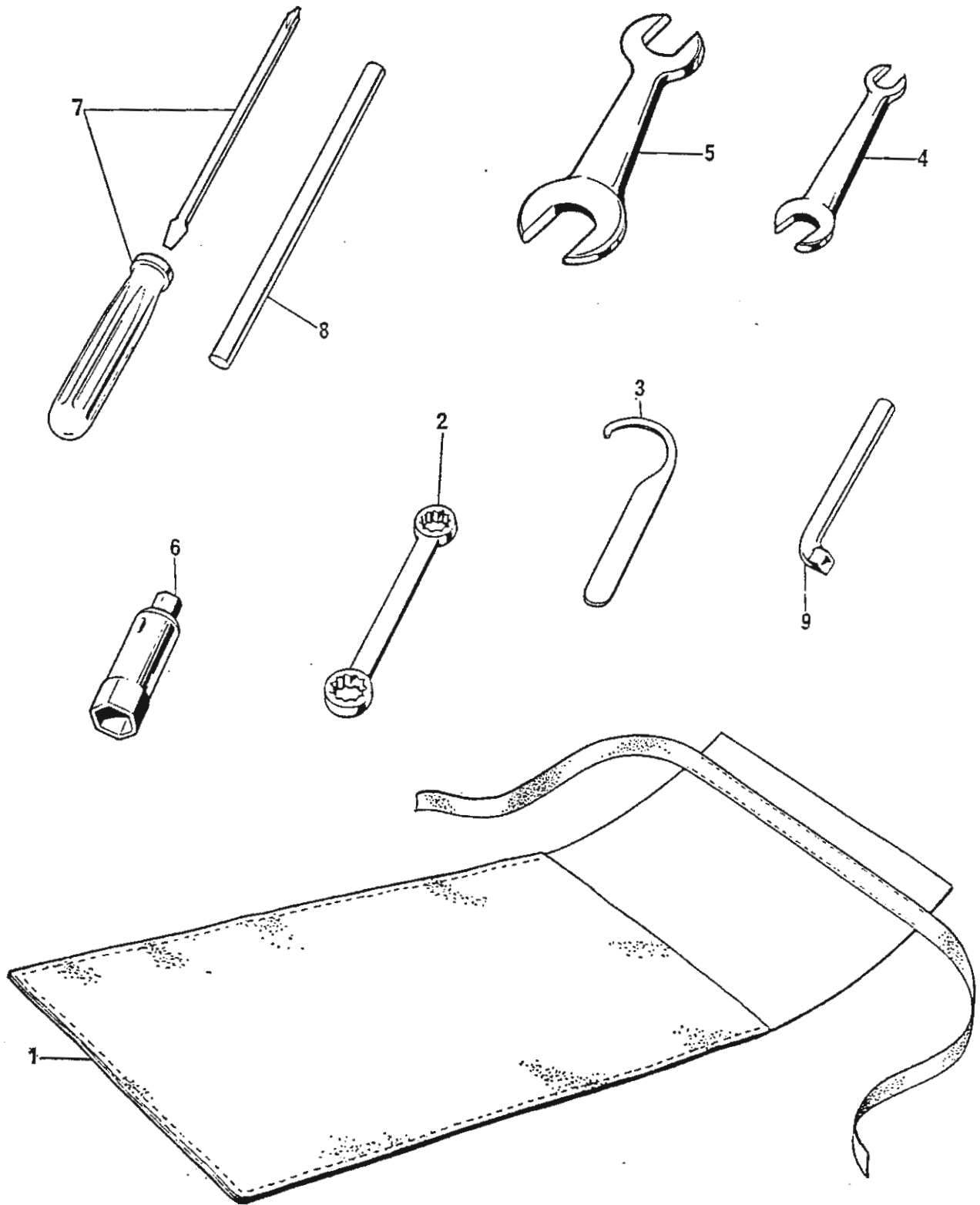


Fig. 31. CONTROL CABLES

| Ref. No. | Part No. | DESCRIPTION | QUANTITY | REMARKS |
|----------|----------|-------------|----------|---------|
|----------|----------|-------------|----------|---------|

**CONTROL CABLES**

|    |        |   |   |  |
|----|--------|---|---|--|
| 1  | D2445  | Clutch cable ... ..                       | 1 |  |
| 2  | D3557  | FRONT BRAKE CABLE ... ..                  | 1 |  |
| 3  | D2086  | Cover, stop switch ... ..                 | 1 |  |
| 4  | W3997  | Bush ... ..                               | 1 |  |
| 5  | W3996  | Bush ... ..                               | 1 |  |
| 6  | E12500 | Washer ... ..                             | 2 |  |
| 7  | W4014  | Spring ... ..                             | 1 |  |
| 8  | D3565  | CHOKE CABLE ASSEMBLY ... ..               | 1 |  |
| 9  | D3566  | Cable, lever to junction box ... ..       | 1 |  |
| 10 | D1978  | Junction box (244/2080) ... ..            | 1 |  |
| 11 | D2061  | Cable, junction box to carburetter ... .. | 3 |  |
| 12 | D890   | Throttle cable ... ..                     | 1 |  |



T 34

Fig. 32. TOOLKIT

| Ref. No. | Part No. | DESCRIPTION | QUANTITY | REMARKS |
|----------|----------|-------------|----------|---------|
|----------|----------|-------------|----------|---------|

**TOOLKIT**

|   |       |                      |     |     |     |     |     |     |   |
|---|-------|----------------------|-----|-----|-----|-----|-----|-----|---|
| — | D3351 | TOOLKIT COMPLETE     | ... | ... | ... | ... | ... | ... | 1 |
| 1 | D291  | Tool roll            | ... | ... | ... | ... | ... | ... | 1 |
| 2 | D1907 | Ring spanner         | ... | ... | ... | ... | ... | ... | 1 |
| 3 | D2184 | "C" spanner          | ... | ... | ... | ... | ... | ... | 1 |
| 4 | D3350 | Open ended spanner   | ... | ... | ... | ... | ... | ... | 1 |
| 5 | D2647 | Open ended spanner   | ... | ... | ... | ... | ... | ... | 1 |
| 6 | D1910 | Plug spanner         | ... | ... | ... | ... | ... | ... | 1 |
| 7 | D767  | Screwdriver complete | ... | ... | ... | ... | ... | ... | 1 |
| 8 | D1911 | Tommy bar            | ... | ... | ... | ... | ... | ... | 1 |
| 9 | D2020 | Tappet spanner       | ... | ... | ... | ... | ... | ... | 1 |



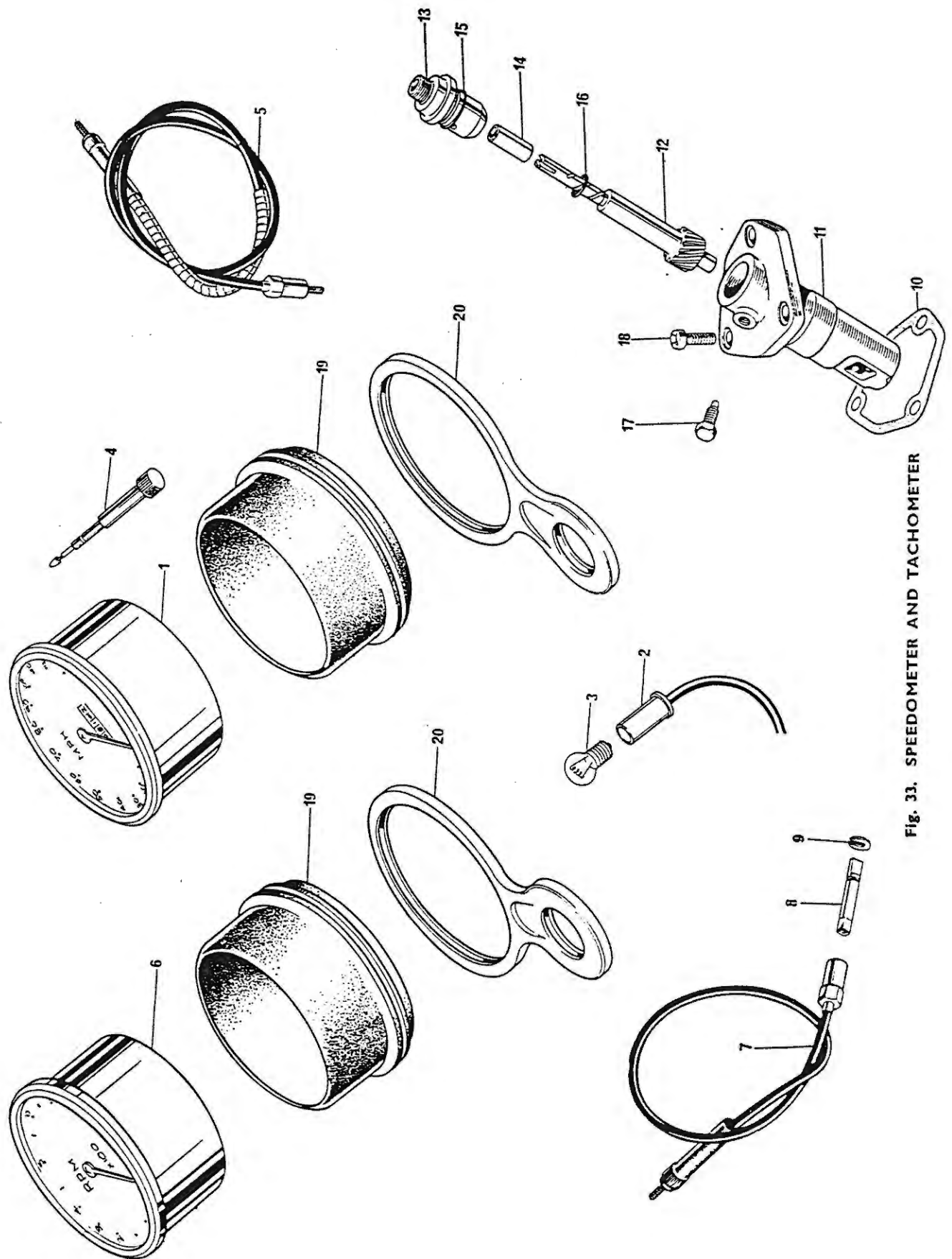
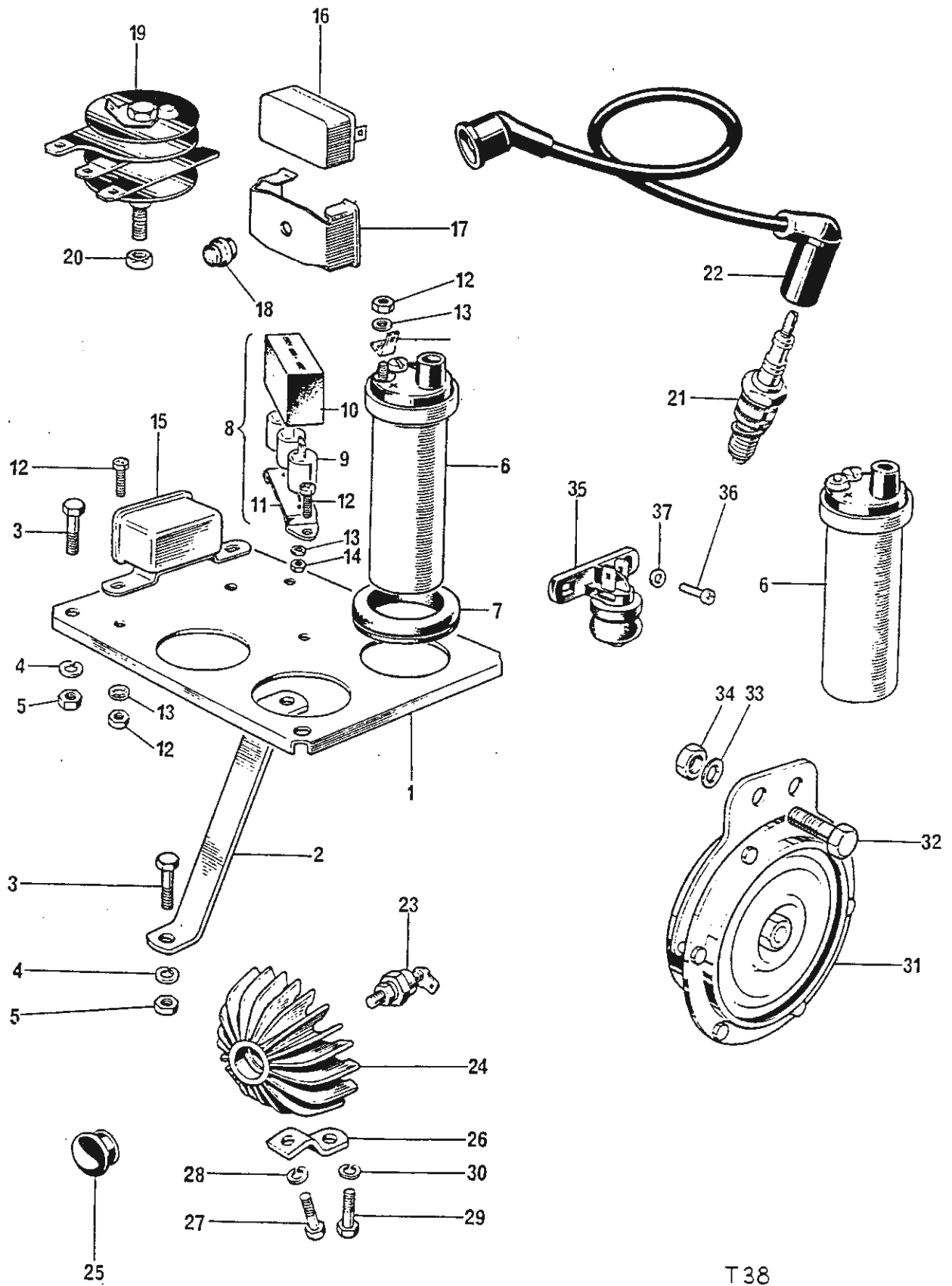


Fig. 33. SPEEDOMETER AND TACHOMETER

| Ref. No. | Part No. | DESCRIPTION | QUANTITY | REMARKS |
|----------|----------|-------------|----------|---------|
|----------|----------|-------------|----------|---------|

**SPEEDOMETER AND TACHOMETER**

|    |               |                                    |                |  |
|----|---------------|------------------------------------|----------------|--|
| 1  | D2394         | Speedometer head MPH (SSM 5007/00) | 1              |  |
| 1  | D2395         | Speedometer head KPH (SSM 5007/01) | Available      |  |
| 2  | 54953387      | Bulbholder                         | Reference only |  |
| 3  | 6430          | Bulb                               | 2              |  |
| 4  | 41-148-203-10 | Trip control (99-0176)             | 1              |  |
| 5  | D3376         | Speedometer cable                  | 1              |  |
| 6  | D2396         | Tachometer head (RSM 3003/13)      | 1              |  |
| 7  | D578          | Tachometer cable                   | 1              |  |
| 8  | 31-371-398    | Spade (99-0173)                    | 1              |  |
| 9  | D494          | Circlip                            | 1              |  |
| 10 | E11439        | Joint washer, tacho drive          | 1              |  |
| 11 | E8740         | Housing tacho driven gear          | 1              |  |
| 12 | E8741         | Driven gear                        | 1              |  |
| 13 | E8742         | Tacho bearing housing              | 1              |  |
| 14 | E6124         | Bush                               | 1              |  |
| 15 | E3309         | 'O' ring                           | 1              |  |
| 16 | E6299         | 'O' ring, driven gear              | 1              |  |
| 17 | E8744         | Locating screw                     | 1              |  |
| 18 | 14-6605       | Screw, housing to c/case           | 3              |  |
| 19 | D2600         | Rubber cup                         | 2              |  |
| 20 | H4026         | Bracket                            | 2              |  |



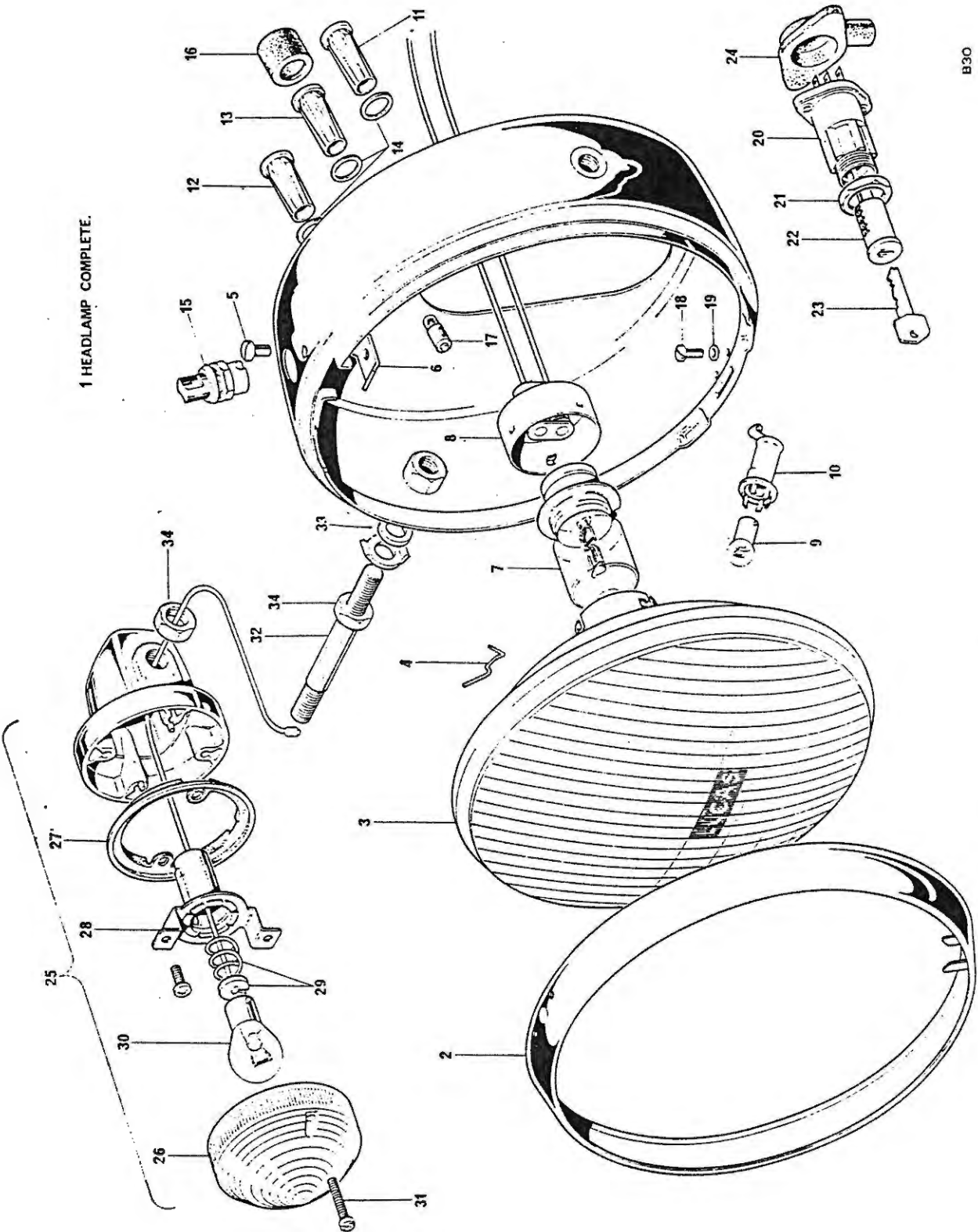
T 38

Fig. 34. IGNITION COILS, HORNS, RECTIFIER AND ZENER DIODE

Ref. No. Part No. DESCRIPTION QUANTITY REMARKS

IGNITION COILS, HORNS, RECTIFIER ZENER DIODE

| Ref. No. | Part No. | DESCRIPTION                              | QUANTITY | REMARKS        |
|----------|----------|--|----------|----------------|
| 1        | F13230   | Electrical platform ... ..               | 1        |                |
| 2        | F9565    | Platform stay ... ..                     | 1        |                |
| 3        | 14-0102  | Bolt ... ..                              | 4        |                |
| 4        | D2329    | Washer ... ..                            | 4        |                |
| 5        | 14-1302  | Nut ... ..                               | 4        |                |
| 6        | D2203    | Ignition coil—17m12 (45223) ... ..       | 3        |                |
| 7        | F9561    | Coil grommet ... ..                      | 3        |                |
| 8        | 47637    | CAPACITOR PACK—2CP ... ..                |          | Reference only |
| 9        | 54420128 | Capacitor (99-0766) ... ..               | 3        |                |
| 10       | 54418528 | Cover (99-0767) ... ..                   | 1        |                |
| 11       | 54418526 | Base plate (99-1160) ... ..              | 1        |                |
| 12       | S2079    | Screw ... ..                             | 5        |                |
| 13       | D2391    | Shakeproof washer ... ..                 | 4        |                |
| 14       | S778     | Nut ... ..                               | 4        |                |
| 15       | 33213    | Horn relay 6RA (99-1227) ... ..          | 1        |                |
| 16       | 35048    | Flasher unit—8FL (99-1201) ... ..        | 1        |                |
| 17       | 54385091 | Clip, flasher unit ... ..                | 1        |                |
| 18       | F12569   | Grommet, flasher unit ... ..             | 1        |                |
| 19       | D756     | RECTIFIER (49072) ... ..                 | 1        |                |
| 20       | F5338    | Nut (156596) ... ..                      | 1        |                |
| 21       | N3       | Sparking plug ... ..                     |          | Reference only |
| 22       | D3043    | Plug cover (WC200) ... ..                | 3        |                |
| 23       | 49345    | Zener diode (99-0590) ... ..             | 1        |                |
| 24       | H2237    | Heat sink ... ..                         | 1        |                |
| 25       | H2275    | Plug, heat sink ... ..                   | 1        |                |
| 26       | H4160    | Bracket, heat sink ... ..                | 1        |                |
| 27       | 14-6102  | Bolt ... ..                              | 1        |                |
| 28       | S26-2    | Washer } Bracket to heat sink ... ..     | 1        |                |
| 29       | 14-0113  | Bolt ... ..                              | 1        |                |
| 30       | S26-3    | Washer } Bracket to fork leg ... ..      | 1        |                |
| 31       | D2623    | Horn (Clearhooter HF80—low note) ... ..  | 1        |                |
| 31       | D2624    | Horn (Clearhooter HF80—high note) ... .. | 1        |                |
| 32       | 14-0103  | Bolt ... ..                              | 4        |                |
| 33       | S25-1    | Washer } Horn mounting ... ..            | 4        |                |
| 34       | 14-1201  | Nut ... ..                               | 4        |                |
| 35       | 34815    | Stoplamp switch 118SA (99-1028) ... ..   | 1        |                |
| 36       | S683     | Screw ... ..                             | 2        |                |
| 37       | E2351    | Washer ... ..                            | 2        |                |



B30

FIG. 35. HEADLAMP AND FLASHER LAMPS

### HEADLAMP AND FLASHER LAMPS

|            |          |  |   |                |
|------------|----------|--|---|----------------|
| 1          | 60260    | HEADLAMP COMPLETE MCH69 (99-1221)      | 1 |                |
| 2          | 553248   | Rim (99-0692)                          | 1 |                |
| 3          | 54525272 | Light unit (99-1212)                   | 1 |                |
| 4          | 504665   | Fixing wire (99-0603)                  | 6 |                |
| 5          | 144921   | Screw                                  |   | Reference only |
| 6          | 534296   | Plate                                  |   | Reference only |
| 7          | 370      | Main bulb (45/35V) (99-1214)           | 1 |                |
| 8          | 554602   | Bulbholder                             |   | Reference only |
| 9          | 989      | Pilot bulb (99-0548)                   | 1 |                |
| 10         | 54573590 | Pilot bulbholder (99-1213)             | 1 |                |
| 11         | 54363454 | Warning light (Red) (99-1208)          | 1 |                |
| 12         | 54363455 | Warning light (Green) (99-1209)        | 1 |                |
| 13         | 54363453 | Warning light (Amber) (99-1207)        | 1 |                |
| 14         | 54140331 | Sealing washer (99-1210)               | 3 |                |
| 15         | 31276    | Light switch (99-1211)                 | 1 |                |
| 16         | 54525212 | Shield, warning light                  |   | Reference only |
| 17         | 281      | Bulb, warning light (99-0537)          | 3 |                |
| 18         | 54115106 | Screw, (99-1223)                       | 2 |                |
| 19         | 143086   | Washer, (99-1224)                      | 2 |                |
| Not illus. | 54959638 | Wiring harness (99-1228)               | 1 |                |
| 20         | 39565    | IGNITION SWITCH (TYPE 1495A) (99-1200) | 1 |                |
| 21         | 54130041 | Nut                                    |   | Reference only |
| 22         | F6981    | IGNITION LOCK C/W KEY                  | 1 |                |
| 23         | D622     | Key (state serial number)              |   | As required    |
| 24         | H2262    | Cover, ignition switch                 | 1 |                |
| 25         | 56147    | FLASHER LAMP (99-1190)                 | 4 |                |
| 26         | 54581638 | Lens (99-1191)                         | 1 |                |
| 27         | 54580300 | Gasket                                 |   | Reference only |
| 28         | 554548   | Bulbholder                             |   | Reference only |
| 29         | 573832   | Interior assembly                      |   | Referenc eonly |
| 30         | 382      | Bulb (99-1192)                         | 1 |                |
| 31         | 54123401 | Screw (99-1193)                        | 2 |                |
| 32         | 54582414 | Stanchion, flasher lamp (99-1194)      | 4 |                |
| 33         | 143086   | Washer (99-1196)                       | 2 |                |
| 34         | 1981721  | Locknut (99-1195)                      | 8 |                |

## STANDARD HARDWARE SPECIFICATION BOLTS

| Part No. | Material | Thd. dia.            | Length under head | Min. length of thread | Hexagon A.F. |
|----------|----------|----------------------|-------------------|-----------------------|--------------|
| S1822    | Steel    | $\frac{5}{16}$ " UNF | $\frac{1}{2}$ "   | $\frac{27}{64}$ "     | 0.500"       |
| S1910    | "        | $\frac{3}{8}$ " UNF  | $\frac{13}{16}$ " | $\frac{13}{16}$ "     | 0.565"       |
| S1919    | "        | $\frac{5}{16}$ " UNC | $1\frac{3}{8}$ "  | $\frac{7}{8}$ "       | 0.500"       |
| S2010    | "        | $\frac{1}{4}$ " UNF  | $\frac{13}{16}$ " | $\frac{3}{4}$ "       | 0.375"       |
| 14-0101  | "        | $\frac{1}{4}$ " UNF  | $\frac{1}{2}$ "   |                       | 0.438"       |
| 14-0102  | "        | $\frac{1}{4}$ " UNF  | $\frac{5}{8}$ "   |                       | 0.438"       |
| 14-0103  | "        | $\frac{1}{4}$ " UNF  | $\frac{3}{4}$ "   |                       | 0.438"       |
| 14-0105  | "        | $\frac{1}{4}$ " UNF  | 1"                |                       | 0.438"       |
| 14-0113  | "        | $\frac{5}{16}$ " UNF | $\frac{5}{8}$ "   |                       | 0.500"       |
| 14-0114  | "        | $\frac{5}{16}$ " UNF | $\frac{3}{4}$ "   |                       | 0.500"       |
| 14-0115  | "        | $\frac{5}{16}$ " UNF | $\frac{7}{8}$ "   |                       | 0.500"       |
| 14-0116  | "        | $\frac{5}{16}$ " UNF | 1"                |                       | 0.500"       |
| 14-0126  | "        | $\frac{3}{8}$ " UNF  | $\frac{3}{4}$ "   |                       | 0.563"       |
| 14-0128  | "        | $\frac{3}{8}$ " UNF  | 1"                |                       | 0.563"       |
| 14-0132  | "        | $\frac{7}{16}$ " UNF | $\frac{7}{8}$ "   |                       | 0.625"       |
| 14-0201  | "        | $\frac{1}{4}$ " UNF  | 1"                | $\frac{3}{4}$ "       | 0.438"       |
| 14-0202  | "        | $\frac{1}{4}$ " UNF  | $1\frac{1}{8}$ "  | $\frac{3}{4}$ "       | 0.438"       |
| 14-0205  | "        | $\frac{1}{4}$ " UNF  | $1\frac{1}{2}$ "  | $\frac{3}{4}$ "       | 0.438"       |
| 14-0208  | "        | $\frac{1}{4}$ " UNF  | $2\frac{1}{4}$ "  | $\frac{3}{4}$ "       | 0.438"       |
| 14-0216  | "        | $\frac{5}{16}$ " UNF | $1\frac{1}{8}$ "  | $\frac{7}{8}$ "       | 0.500"       |
| 14-0217  | "        | $\frac{5}{16}$ " UNF | $1\frac{1}{4}$ "  | $\frac{7}{8}$ "       | 0.500"       |
| 14-0219  | "        | $\frac{5}{16}$ " UNF | $1\frac{1}{2}$ "  | $\frac{7}{8}$ "       | 0.500"       |
| 14-0220  | "        | $\frac{5}{16}$ " UNF | $1\frac{3}{4}$ "  | $\frac{7}{8}$ "       | 0.500"       |
| 14-0221  | "        | $\frac{5}{16}$ " UNF | 2"                | $\frac{7}{8}$ "       | 0.500"       |
| 14-0222  | "        | $\frac{5}{16}$ " UNF | $2\frac{1}{4}$ "  | $\frac{7}{8}$ "       | 0.500"       |
| 14-0225  | "        | $\frac{5}{16}$ " UNF | 3"                | $\frac{7}{8}$ "       | 0.500"       |
| 14-0228  | "        | $\frac{5}{16}$ " UNF | 4"                | $\frac{7}{8}$ "       | 0.500"       |
| 14-0234  | "        | $\frac{3}{8}$ " UNF  | $1\frac{3}{4}$ "  | 1"                    | 0.563"       |
| 14-0235  | "        | $\frac{3}{8}$ " UNF  | 2"                | 1"                    | 0.563"       |
| 14-0236  | "        | $\frac{3}{8}$ " UNF  | $2\frac{1}{4}$ "  | 1"                    | 0.563"       |
| 14-0237  | "        | $\frac{3}{8}$ " UNF  | $2\frac{1}{2}$ "  | 1"                    | 0.563"       |
| 14-0239  | "        | $\frac{3}{8}$ " UNF  | 3"                | 1"                    | 0.563"       |
| 14-0241  | "        | $\frac{3}{8}$ " UNF  | $3\frac{1}{2}$ "  | 1"                    | 0.563"       |
| 14-0242  | "        | $\frac{3}{8}$ " UNF  | 4"                | 1"                    | 0.563"       |
| 14-0251  | "        | $\frac{7}{16}$ " UNF | $2\frac{3}{4}$ "  | $1\frac{1}{4}$ "      | 0.625"       |
| 14-6101  | "        | $\frac{1}{4}$ " UNC  | $\frac{1}{2}$ "   |                       | 0.438"       |
| 14-6102  | "        | $\frac{1}{4}$ " UNC  | $\frac{5}{8}$ "   |                       | 0.438"       |
| 14-6115  | "        | $\frac{5}{16}$ " UNC | $\frac{7}{8}$ "   |                       | 0.500"       |
| 14-6121  | "        | $\frac{5}{16}$ " UNC | $2\frac{1}{2}$ "  |                       | 0.500"       |

## N U T S

| Part No. | Material | Thd. dia.            | Hexagon A.F. | Thickness | Remarks  |
|----------|----------|----------------------|--------------|-----------|----------|
| S778     | Steel    | No. 10 UNF           | 0.375"       | 0.225"    | Cleveloc |
| S1852    | "        | $\frac{5}{16}$ " UNF | 0.437"       | 0.330"    | Philidas |
| S1906    | "        | $\frac{1}{4}$ " UNF  | 0.438"       | 0.188"    | Plain    |
| S1908    | "        | $\frac{5}{16}$ " UNF | 0.438"       | 0.313"    | Plain    |
| S1914    | "        | $\frac{3}{4}$ " UNEF | 1.125"       | 0.250"    | Plain    |
| S2012    | "        | $\frac{7}{8}$ " UNEF | 1.313"       | 0.438"    | Plain    |
| S2013    | "        | $\frac{3}{4}$ " UNEF | 1.313"       | 0.313"    | Plain    |
| S2014    | "        | $\frac{3}{4}$ " UNEF | 1.313"       | 0.438"    | Plain    |
| 14-0301  | "        | $\frac{1}{4}$ " UNF  | 0.438"       | 0.224"    | Plain    |
| 14-0302  | "        | $\frac{5}{16}$ " UNF | 0.500"       | 0.271"    | Plain    |
| 14-0303  | "        | $\frac{3}{8}$ " UNF  | 0.563"       | 0.300"    | Plain    |
| 14-0304  | "        | $\frac{7}{16}$ " UNF | 0.688"       | 0.375"    | Plain    |
| 14-0401  | "        | $\frac{1}{4}$ " UNF  | 0.438"       | 0.161"    | Lock     |
| 14-0402  | "        | $\frac{5}{16}$ " UNF | 0.500"       | 0.192"    | Lock     |
| 14-0403  | "        | $\frac{3}{8}$ " UNF  | 0.563"       | 0.224"    | Lock     |
| 14-0404  | "        | $\frac{7}{16}$ " UNF | 0.688"       | 0.250"    | Lock     |
| 14-0701  | "        | $\frac{1}{4}$ " UNF  | 0.438"       | 0.203"    | Philidas |
| 14-0702  | "        | $\frac{5}{16}$ " UNF | 0.500"       | 0.246"    | Philidas |
| 14-0703  | "        | $\frac{3}{8}$ " UNF  | 0.563"       | 0.296"    | Philidas |
| 14-1201  | "        | $\frac{1}{4}$ " UNF  | 0.438"       | 0.285"    | Stiffnut |
| 14-1202  | "        | $\frac{5}{16}$ " UNF | 0.500"       | 0.335"    | Stiffnut |
| 14-1301  | "        | $\frac{1}{4}$ " UNF  | 0.438"       | 0.245"    | Stiffnut |
| 14-1302  | "        | $\frac{5}{16}$ " UNF | 0.500"       | 0.290"    | Stiffnut |
| 14-1303  | "        | $\frac{3}{8}$ " UNF  | 0.563"       | 0.320"    | Stiffnut |
| 14-1304  | "        | $\frac{7}{16}$ " UNF | 0.688"       | 0.375"    | Stiffnut |
| 14-1305  | "        | $\frac{1}{2}$ " UNF  | 0.750"       | 0.435"    | Stiffnut |
| 14-1901  | "        | $\frac{1}{4}$ " UNF  | 0.438"       | 0.283"    | Nyloc    |
| 14-1902  | "        | $\frac{5}{16}$ " UNF | 0.500"       | 0.361"    | Nyloc    |
| 14-1903  | "        | $\frac{3}{8}$ " UNF  | 0.563"       | 0.375"    | Nyloc    |

## S C R E W S

| Part No. | Type of head      | Material | Thd. dia.            | Length under head | Type of drive |
|----------|-------------------|----------|----------------------|-------------------|---------------|
| S1916    | Cheese head       | Steel    | $\frac{1}{4}$ " UNC  | $1\frac{1}{8}$ "  | Cross recess  |
| S1917    | Cheese head       | "        | $\frac{1}{4}$ " UNC  | $2\frac{3}{8}$ "  | Cross recess  |
| S1918    | Cheese head       | "        | $\frac{1}{4}$ " UNC  | $2\frac{3}{8}$ "  | Cross recess  |
| S1920    | Hex. head         | "        | $\frac{1}{4}$ " UNC  | $2\frac{1}{4}$ "  | Cross recess  |
| S1929    | Countersunk 82°   | "        | $\frac{1}{4}$ " UNC  | $1\frac{7}{32}$ " | Slot          |
| S2079    | Cheese head       | "        | No. 10 UNF           | $\frac{1}{2}$ "   | Pozidrive     |
| 14-0604  | Cheese head       | "        | $\frac{1}{4}$ " UNF  | $\frac{1}{2}$ "   | Cross recess  |
| 14-6504  | Countersunk (82°) | "        | $\frac{1}{4}$ " UNC  | $\frac{3}{4}$ "   | Cross recess  |
| 14-6505  | Countersunk (82°) | "        | $\frac{1}{4}$ " UNC  | $\frac{7}{8}$ "   | Cross recess  |
| 14-6606  | Cheese head       | "        | $\frac{1}{4}$ " UNC  | $\frac{3}{4}$ "   | Cross recess  |
| 14-6607  | Cheese head       | "        | $\frac{1}{4}$ " UNC  | $\frac{7}{8}$ "   | Cross recess  |
| 14-6608  | Cheese head       | "        | $\frac{1}{4}$ " UNC  | 1"                | Cross recess  |
| 14-6609  | Cheese head       | "        | $\frac{1}{4}$ " UNC  | $1\frac{1}{4}$ "  | Cross recess  |
| 14-6610  | Cheese head       | "        | $\frac{1}{4}$ " UNC  | $1\frac{1}{2}$ "  | Cross recess  |
| 14-6611  | Cheese head       | "        | $\frac{1}{4}$ " UNC  | $1\frac{3}{4}$ "  | Cross recess  |
| 14-6612  | Cheese head       | "        | $\frac{1}{4}$ " UNC  | 2"                | Cross recess  |
| 14-6613  | Cheese head       | "        | $\frac{1}{4}$ " UNC  | $2\frac{1}{4}$ "  | Cross recess  |
| 14-6614  | Cheese head       | "        | $\frac{1}{4}$ " UNC  | $2\frac{1}{2}$ "  | Cross recess  |
| 14-6615  | Cheese head       | "        | $\frac{1}{4}$ " UNC  | 3"                | Cross recess  |
| 14-7004  | Socket head       | "        | $\frac{1}{4}$ " UNC  | $\frac{1}{4}$ "   | Hex. socket   |
| 14-7019  | Socket head       | "        | $\frac{5}{16}$ " UNF | $\frac{7}{8}$ "   | Hex. socket   |
| 14-7024  | Socket head       | "        | $\frac{5}{16}$ " UNF | 2"                | Hex. socket   |



### WASHERS—PLAIN

| Part No. | Material | i/dia. | o/dia. | Thickness |
|----------|----------|--------|--------|-----------|
| S25-1    | Steel    | 0.273" | 0.563" | 0.048"    |
| S25-2    | Steel    | 0.398" | 0.750" | 0.063"    |
| S25-3    | Steel    | 0.336" | 0.625" | 0.063"    |
| S25-6    | Steel    | 0.531" | 1.031" | 0.092"    |
| S25-13   | Steel    | 0.266" | 0.469" | 0.064"    |
| S25-71   | Steel    | 0.453" | 0.750" | 0.064"    |

### WASHERS—SPRING

| Part No. | Material     | i/dia.                     | o/dia.            | o/a height       | Thickness |
|----------|--------------|----------------------------|-------------------|------------------|-----------|
| S26-1    | Spring Steel | $\frac{3}{8}$ " clearance  | $\frac{19}{32}$ " | $\frac{7}{32}$ " | 0.104"    |
| S26-2    | Spring Steel | $\frac{1}{4}$ " clearance  | $\frac{13}{32}$ " | $\frac{3}{16}$ " | 0.064"    |
| S26-16   | Spring Steel | $\frac{17}{32}$ "          | $\frac{7}{8}$ "   | $\frac{7}{32}$ " | 0.040**   |
| S648     | Spring Steel | $\frac{5}{16}$ " clearance | $\frac{1}{2}$ "   | $\frac{5}{32}$ " | 0.080"    |

\*\* Double coil.