

# **TRIUMPH**

## **REPLACEMENT PARTS CATALOGUE**

**1976-1977**

**BONNEVILLE 750 T140V**

**TIGER 750 TR7RV**

**From Eng No 62501**

**Plus Triumph 750 Silver Jubilee  
Parts Supplement**

**Revised August 1976**

Published August 1976

Publication Part 99-2257

## INTRODUCTION

### ENGINE AND FRAME NUMBERS

The engine number is located on the left side of the engine, immediately below the cylinder barrel to crankcase flange.

The frame number is located on the left side of the frame headlug, beneath the fork top lug and forward of the gasoline tank.

Both the engine and frame number should be quoted in full in any correspondence relating to the machine.

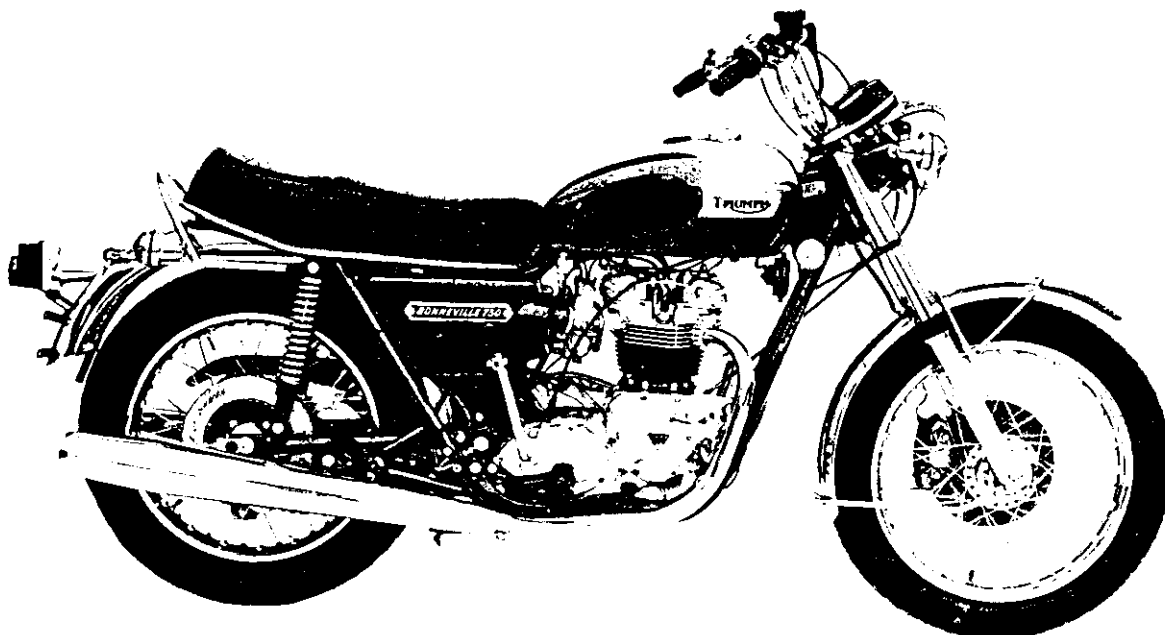
©

COPYRIGHT

All rights reserved. No part of this publication may be reproduced without permission.

# INDEX

	Page		Page
AIR CLEANER	69	KICKSTARTER	37
ALTERNATOR	9,41	MANIFOLD	17
AUTO-ADVANCE UNIT	31	MOTOR PLATES	47
BATTERY CARRIER	85	MOTOR TORQUE STAY	47
BRAKE SWITCH	83	MUFFLERS	49
BREATHER PIPES	43	OIL PUMP	15
CAMSHAFT, INLET AND EXHAUST	9	OIL PIPES	43
CARBURETOR	27,29	OIL PRESSURE RELEASE VALVE	15
CENTRE STAND	43	PISTONS, OVERSIZE AND RING SETS	7
CHAINS	41	PISTONS	9
CHAINCASE	41	PROP STAND	43
CLUTCH	39	PUSH RODS	19,21,23,25
CLUTCH LEVER ASSEMBLY	37	REAR WHEEL	61
COIL	83	RECTIFIER	83
CONDENSERS	83	ROCKERS	19,21,23,25
CONNECTING RODS	9	SIDE PANEL	69
CONTACT BREAKER	31	SPARK PLUG	83
CONTROL CABLES	77	SPEEDOMETER	81
CONTROL LEVERS	75	SPEEDOMETER GEARBOX	61
CRANKCASE	11,13	SUSPENSION UNITS	45
CRANKSHAFT	9	SWINGING FORK	45
CYLINDERS	19,21,23,25	SWITCHES	75,85
CYLINDER HEAD	19,21,23,25	SERVICE TOOLS	90
EXHAUST PIPES	49	TABLE OF STANDARD HARDWARE	88,89
FENDERS	71	TACHOMETER	81
FLASHERS	85	TACHOMETER GEARBOX	81
FOOTRESTS	47	TAIL LAMP	73
FRAME	43	TAPPETS	17
FRONT BRAKE	57,59	TIMING GEARS	9
FRONT FORKS	51,53	TOOLKIT	79
FRONT WHEEL	55	TWIN SEAT	67
GASKET SETS	7	VALVES	19,21,23,25
GAS TANK	67	VALVE GUIDES	19,21,23,25
GEARBOX	33,35,37	VALVE GUIDE SETS	7
HANDLEBAR	75	WIRING HARNESS	87
HEADLAMP	85	ZENER DIODE	83
HORN	83		



BONNEVILLE 750 (T140V), TIGER 750 (TR7RV) TECHNICAL DATA

		TR7RV	T140V
Compression ratio. U. S. A.		8.6 : 1	8.6 : 1
Compression ratio. UK and Europe		7.9 : 1	7.9 : 1
Spark plugs		Champion N3	Champion N3
Carburetor		Amal Concentric 930	2 Amal Concentric 930
	Main jet	270	190
	Needle jet	.106	.106
	Throttle valve	No. 3	No. 3
Gearbox sprocket		20 teeth	20 teeth
Chains	Front	3/8 Triplex x 84 links	3/8 Triplex x 84 links
	Rear	5/8" x 3/8" x 107 links	5/8" x 3/8" x 107 links
Capacities	Gas Tank	3.6 U. S. galls.	3.6 U. S. galls.
	Oil Tank	4.8 U. S. pints	4.8 U. S. pints
	Gearbox	7/8 pint (500 c. c.)	7/8 pint (500 c. c.)
	Primary Chaincase	1/4 pint (150 c. c.)	1/4 pint (150 c. c.)
	Front Forks (each leg)	1/3 pint (190 c. c.)	1/3 pint (190 c. c.)
Tire size	Front	3.25 x 19	3.25 x 19
	Rear	4.00 x 18	4.00 x 18

# HOW TO USE THIS PARTS CATALOGUE

First consult the index on Page 3 for the parts or group of parts which you wish to locate. When you have located the parts make sure from the end columns that the part you have located does apply to your machine.

List the quantities required as single units; do not ask for "2 pairs" or "3 dozen".

In case of painted items always state the color required. Painted parts are available only in the colors or alternatives specified for that model of that particular year.

## PLEASE NOTE

THROUGHOUT THIS LIST, ASSEMBLIES ARE PRINTED IN CAPITALS AND THE COMPONENTS INCLUDED IN THAT ASSEMBLY ARE INDENTED IN THE DESCRIPTION COLUMN, REVERTING TO THE ORIGINAL ALIGNMENT WHEN THE ASSEMBLY IS COMPLETE. TO ORDER THE COMPLETE ASSEMBLY IT IS NECESSARY ONLY TO QUOTE THE ASSEMBLY NUMBER. ANY COMPONENT PARTS LISTED MAY ALSO BE OBTAINED SEPARATELY IF REQUIRED.

## SPECIAL WORKSHOP TOOLS

A COMPLETE LIST OF WORKSHOP TOOLS CAN BE MADE AVAILABLE BY EITHER CONTACTING YOUR DEALER OR APPLYING DIRECT TO THE TRIUMPH SERVICE DEPARTMENT. IN MOST CASES THESE TOOLS ARE VERY COSTLY AS THEY ARE MADE ENTIRELY FOR WORKSHOP USE, AND THEREFORE, IT IS NOT RECOMMENDED THAT THE PRIVATE OWNER PURCHASES THE TOOLS IN ORDER TO AID SERVICING THE MACHINE ONCE OR TWICE ONLY. IN THESE CIRCUMSTANCES IT IS FAR MORE ECONOMICAL TO GET IN TOUCH WITH A RECOGNISED DEALER.

## UNIFIED THREAD FORM

NEW PARTS HAVING THREADED FIXINGS INTRODUCED IN THIS CATALOGUE HAVE THE UNIFIED FORM OF SCREW THREADS. THIS CHANGEOVER WILL BE CONTINUED AS AND WHEN NEW PARTS ARE INTRODUCED. EVEN WHERE PARTS ARE SIMILAR IN APPEARANCE NEW PART NUMBERS WILL BE ALLOCATED TO IDENTIFY THE UNIFIED THREADS. ALL NUTS, BOLTS AND STUDS HAVING THIS THREAD ARE IDENTIFIED BY MARKINGS. BOLTS HAVE A CIRCULAR RECESS IN THEIR HEADS, STUDS A CIRCULAR GROOVE ON THE END, AND NUTS HAVE INTERLOCKING CIRCLES ON THE SIDE.

PARTS SPECIAL TO PARTICULAR MARKETS ARE IDENTIFIED IN 'REMARKS' COLUMN, OTHERWISE PARTS ARE COMMON TO ALL MARKETS.

WHERE MAKERS PART NUMBERS ONLY ARE SHOWN FOR REFERENCE, PARTS MUST BE OBTAINED DIRECT FROM THE MAKERS OR THEIR DISTRIBUTORS.

# NOTES



## OVERSIZE PISTONS AND RINGS

Piston assembly 8.6 : 1	+0.010	71-3686
Piston assembly 7.9 : 1	+0.010	71-3995
Compression ring	+0.010	71-3691
Scraper ring	+0.010	71-3696
Piston assembly 8.6 : 1	+0.020	71-3687
Piston assembly 7.9 : 1	+0.020	71-3996
Compression ring	+0.020	71-3692
Scraper ring	+0.020	71-3697
Piston assembly 8.6 : 1	+0.040	71-3689
Piston assembly 7.9 : 1	+0.040	71-3998
Compression ring	+0.040	71-3694
Scraper ring	+0.040	71-3699

## PISTON RING SETS

Ring set - 76mm	Std.	99-3789
Ring set - 76mm	+0.010	99-3790
Ring set - 76mm	+0.020	99-3791
Ring set - 76mm	+0.040	99-3792

## VALVE GUIDE SETS

Valve guide set	Std.	99-3793
Valve guide set	+0.002	99-3794
Valve guide set	+0.004	99-3795
Valve guide set	+0.006	99-3796

## GASKET SETS

Decoke		99-3022
Overhaul		99-3023

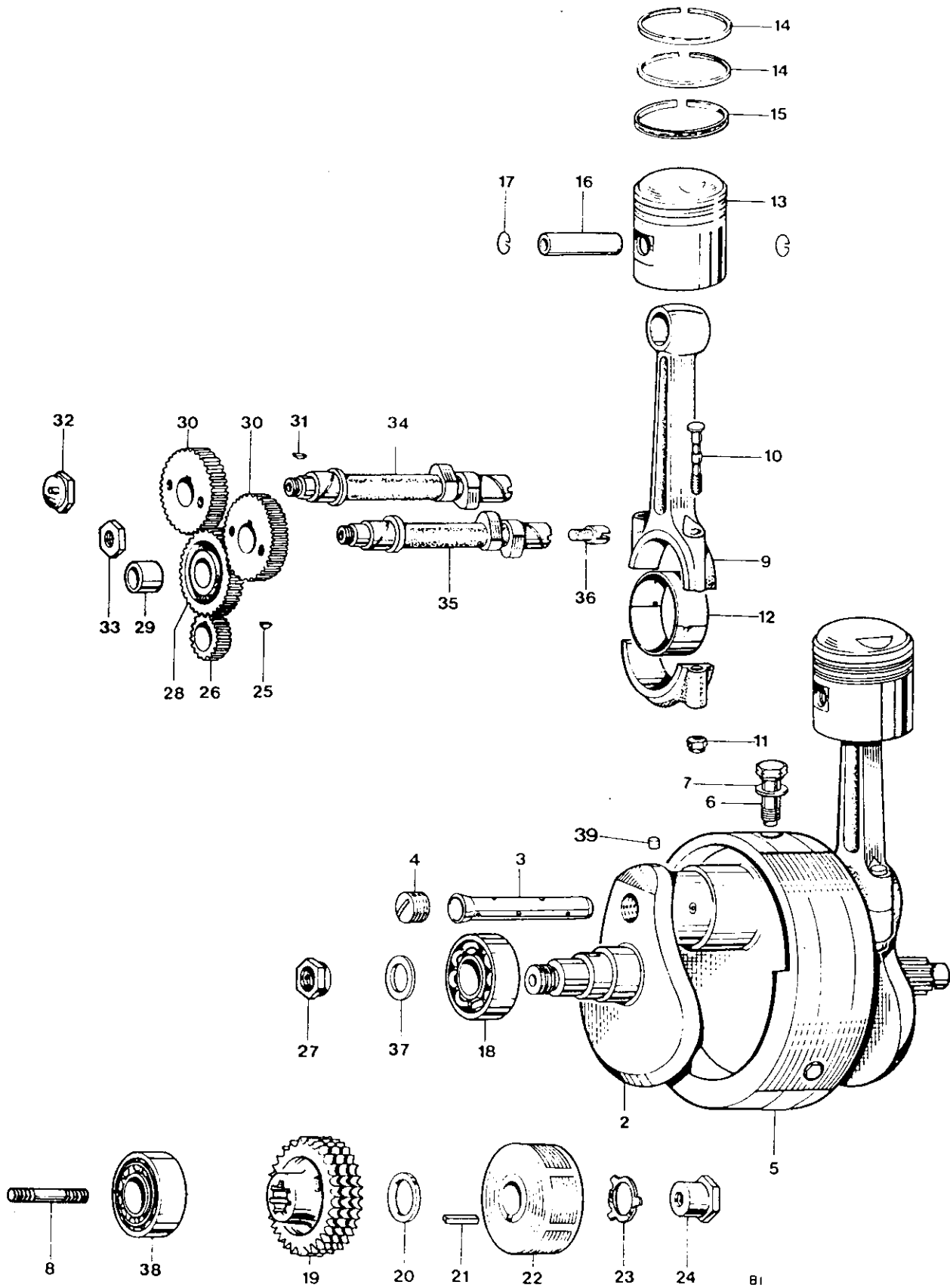


Fig. 1. CRANKSHAFT AND CONNECTING RODS



**CRANKSHAFT AND CONNECTING RODS**

Ref. No.	Part No.	Description	Quantity	Remarks
1	71-3030	CRANKSHAFT AND FLYWHEEL ASSEMBLY	1	
2	71-3298	CRANKSHAFT C/W. OIL TUBE	1	
3	70-3903	Oil tube	1	
4	71-2800	Screwed plug	1	
5	71-2425	Flywheel	1	
6	*71-3552	Flywheel bolt	3	
7	71-1003	Washer	3	
8	21-2183	Crankshaft stud (1 3/8 in. O.A.)	1	
9	71-3006	CONNECTING ROD	2	
10	70-9914	Connecting rod bolt	4	
11	60-3761	Self locking nut	4	
12	70-3586	Big end bearing (Available in -.010 in. and -.020 in. undersizes)	4	
13	71-3676	PISTON COMPLETE (8.6 : 1)	2	
13	71-3778	PISTON COMPLETE (7.9 : 1)	2	
14	71-3690	Taper compression ring	4	
15	71-3695	Oil control ring	2	
16	71-3354	Gudgeon pin	2	
17	71-3700	Circlip	4	
18	60-4167	Main bearing, right (RHP5/6306)	1	
19	71-3542	Motor sprocket, 29 teeth Triplex	1	
20	71-3544	Distance piece	1	
21	71-0082	Rotor key	1	
22	99-0739	Rotor	1	Lucas 54213901
23	70-3975	Tab washer	1	
24	21-2182	Nut	1	
25	70-1580	Key	1	
26	70-4564	Timing pinion	1	
27	71-2877	Nut	1	
28	70-6159	INTERMEDIATE WHEEL	1	
29	70-0400	Intermediate wheel bush	1	
30	71-3666	Camshaft pinion	2	
31	70-1558	Camshaft key	2	
32	71-1007	Inlet camshaft nut	1	
33	70-6523	Exhaust camshaft nut	1	
34	71-7016	Inlet camshaft	1	
35	71-7017	EXHAUST CAMSHAFT	1	
36	70-9988	Tachometer drive plug	1	
37	70-3300	Clamping washer	1	
38	70-2879	Main bearing, left (RM11L)	1	
39	70-3902	Plug, crankshaft oilway	1	
Not illus.	71-2663	Spacer	1	
Not illus.	70-8038	Shim (0.010 in.)	} Engine sprocket	As required (up to 4)
Not illus.	71-2660	Shim (0.030 in.)		As required (up to 4)

\* Use 60-0524 Loctite Sealant

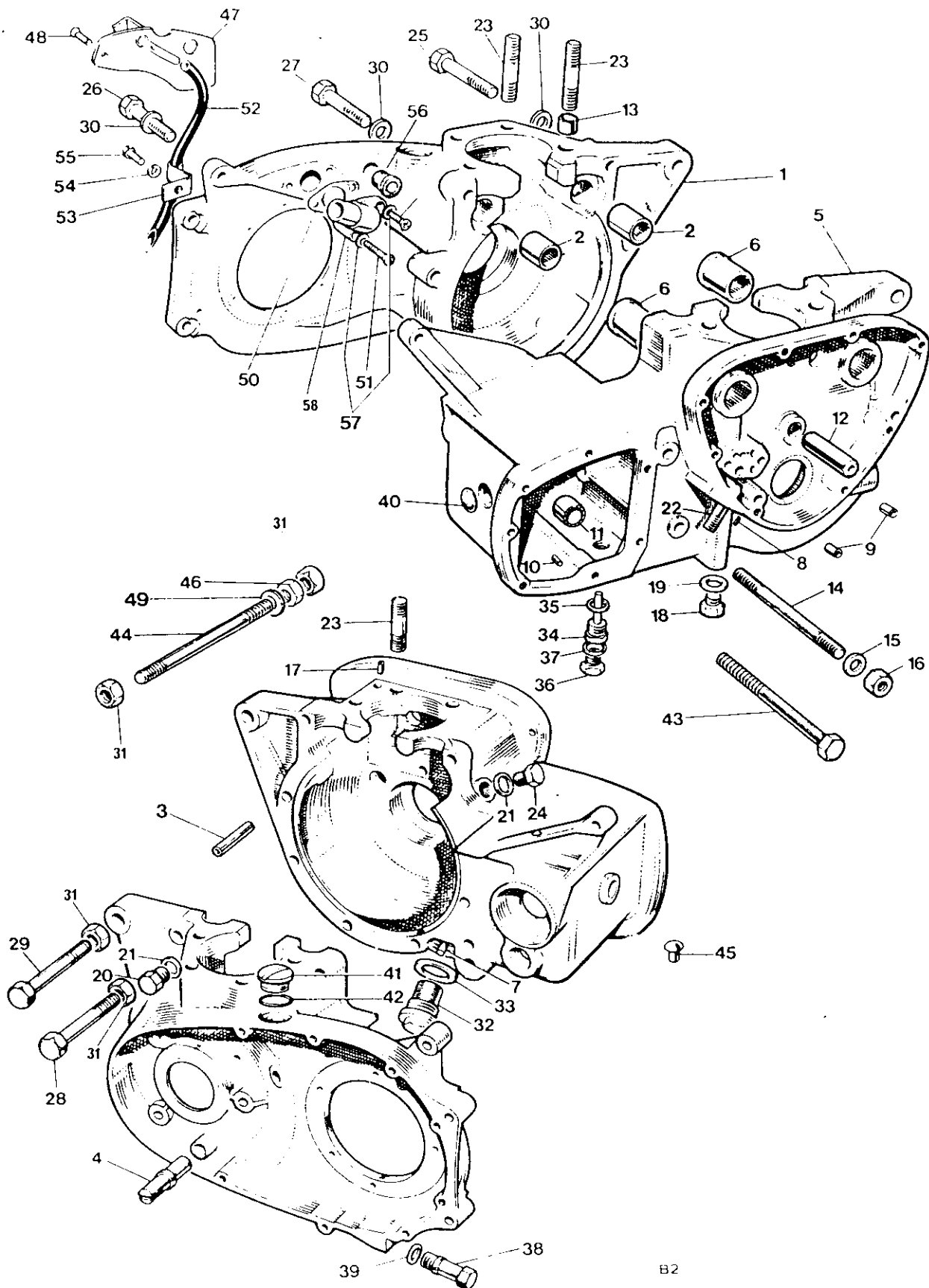


Fig. 2 CRANKCASE

## CRANKCASE

Ref. No.	Part No.	Description	Quantity	Remarks
1	*71-7001	CRANKCASE DRIVE SIDE	1	Reference only
2	71-0287	Camshaft bush L.H.	2	
3	71-3989	Hollow dowel, crankcase joint	1	
4	70-5088	Chain tensioner abutment	1	
5	*71-7002	CRANKCASE TIMING SIDE	1	Reference only
6	71-0286	Camshaft bush R.H.	2	
7	70-4538	Scavenge pipe	Reference only	
8	70-6386	Locating peg (at oil pipes)	Reference only	
9	57-0989	Hollow dowel	2	
10	57-0912	Locating peg (L/S at thrust washer)	1	
11	57-1606	Needle roller bearing, layshaft	1	
12	70-0375	Intermediate wheel spindle	1	
13	70-8751	Hollow dowel, cylinder base	2	
14	14-1445	Stud, rear	1	
15	60-4246	Plain washer	2	
16	14-1303	Nut	1	
17	70-1532	Hollow dowel, tappet oil feed	2	
18	70-9330	Oilway plug	1	
19	82-1880	Copper washer	1	
20	21-1871	Tachometer drive plug (L.H. thread)	1	
21	37-3761	'O' ring, ignition timing hole plug	1	
22	21-1863	Oil pipe stud	1	
23	21-1865	Cylinder stud	4	
23	71-3013	Cylinder stud	4	
24	21-1872	Plug, timing hole	1	
25	21-1870	Bolt, rear	1	
26	14-6220	Bolt, top rear	1	
27	14-6223	Bolt, top front	1	
28	14-0230	Bolt, long - crankcase halves	1	
29	21-1823	Bolt, short - crankcase halves	2	
30	60-2330	Plain washer	10	
31	14-1302	Nut	5	
32	70-9336	Crankcase filter	1	
33	70-8782	Joint washer	1	
34	57-2167	Drain plug (with level tube)	1	
35	57-1257	Fibre washer	1	
36	21-0543	Level plug	1	
37	70-2441	Copper washer	1	
38	57-2259	Drain and adjuster plug	1	
39	70-7431	'O' ring	1	
40	57-1920	Blanking plug	Reference only	
41	57-2166	Filler plug	2	
42	70-8782	'O' ring	2	
43	14-6242	Bolt, rear - crankcase halves	1	
44	21-0669	Stud, crankcase halves	1	
45	70-7573	Rubber plug	1	
46	14-0402	Nut, exhaust ties	2	
47	71-1072	Breather cover plate assembly	1	
48	71-1075	Screw	1	
49	60-2428	Spring washer	2	
*	71-7004	CRANKCASE TS/DS	1	

\* NOTE CRANKCASES ARE SUPPLIED ONLY AS MATCHED PAIRS PART No. 71-7004

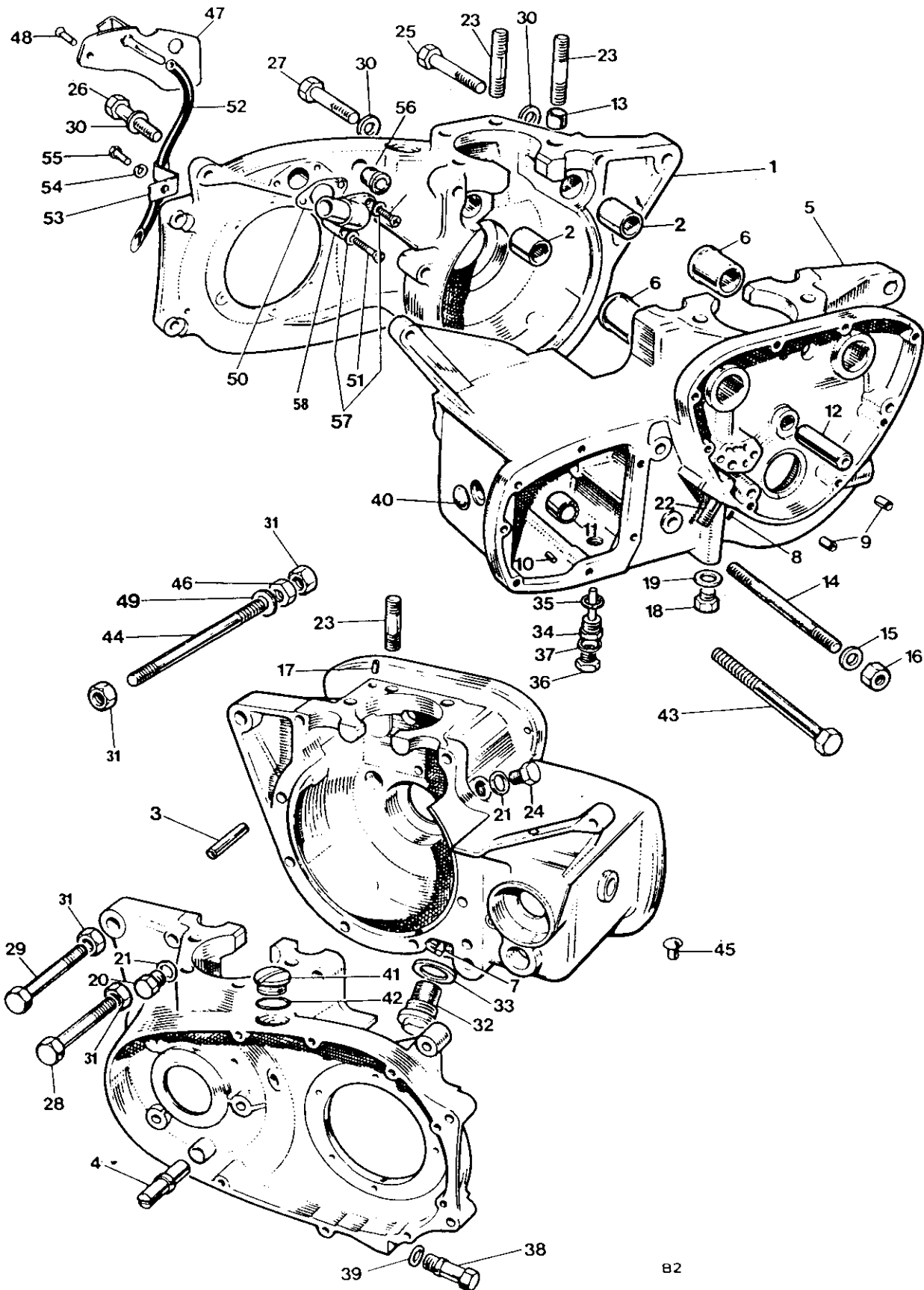


Fig. 2 CRANKCASE

**CRANKCASE (continued)**

Ref. No.	Part No.	Description	Quantity	Remarks
50	71-1460	Joint washer	1	
51	70-7354	Screw	2	
52	71-1078	Tube, primary chain oiler	1	
53	70-4705	Clip	1	
54	60-4250	Spring washer	1	
55	14-6101	Bolt (7/16 in. U.H.)	1	
56	71-1345	Grommet, alternator leads - external	1	
57	70-6559	Washer, outlet stub screw	2	
58	71-4044	Outlet stub	1	

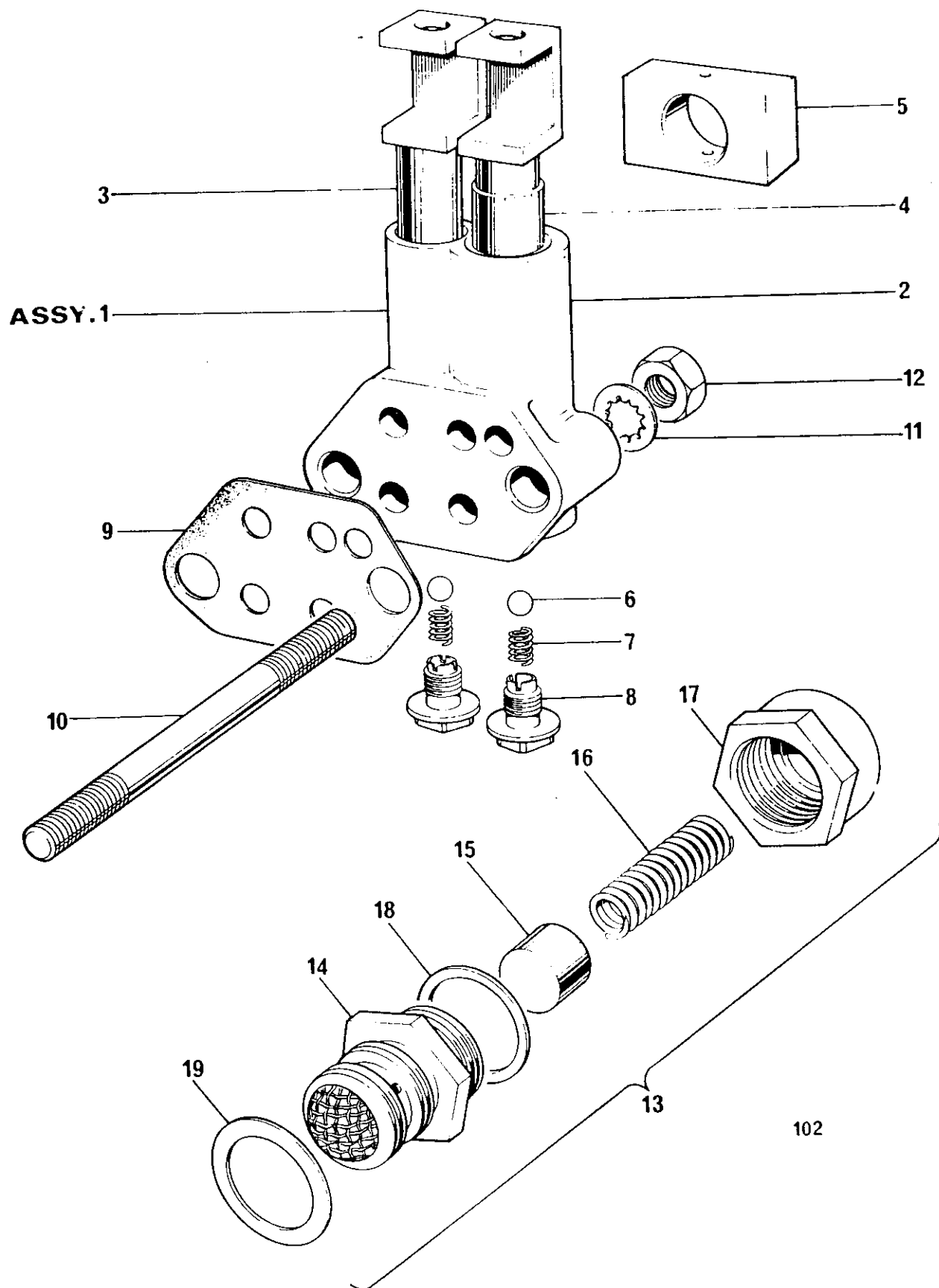


Fig. 3. OIL PUMP AND RELEASE VALVE

## OIL PUMP AND RELEASE VALVE

Ref. No.	Part No.	Description	Quantity	Remarks
1	70-9421	OIL PUMP	1	
2	Reference only	Pump body	1	
3	70-9269	Feed plunger	1	
4	70-6681	Scavenger plunger	1	
5	70-0495	Drive block	1	
6	60-2363	Valve ball (7/32 in. dia.)	2	
7	70-0403	Valve spring	2	
8	70-2360	Screwed plug	2	
9	71-3910	Joint washer	1	
10	21-1864	Oil pump stud	2	
11	70-3887	Serrated washer	2	
12	21-1906	Nut	2	
13	71-3447	OIL PRESSURE RELEASE VALVE	1	
14	70-7590	Body	Reference only	
15	70-8752	Piston	Reference only	
16	70-7591	Spring	Reference only	
17	70-6596	Cap	Reference only	
18	70-8754	Joint washer (cap to body)	1	
19	60-3355	'O' ring, release valve to crankcase	1	

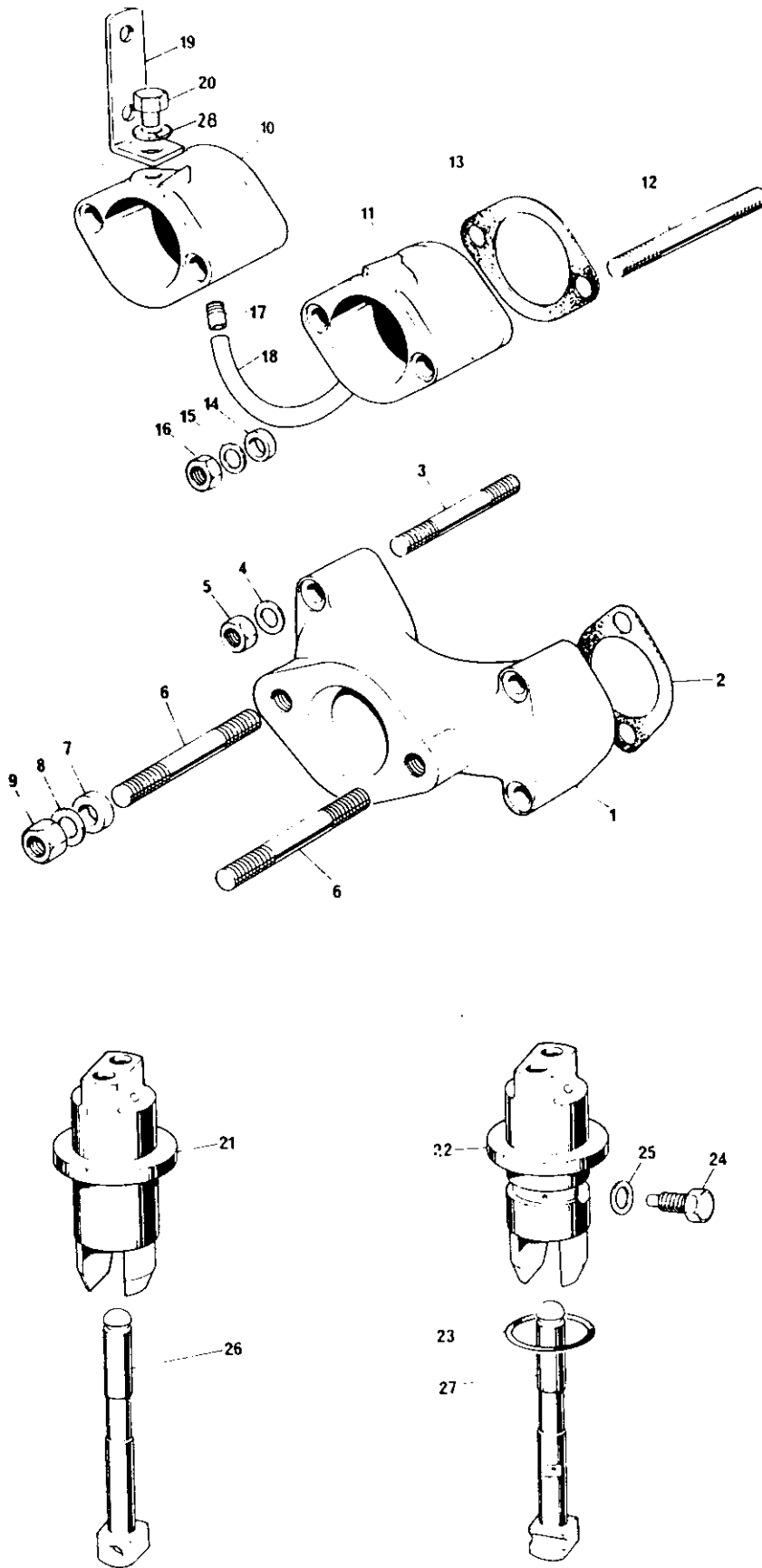


Fig. 4. MANIFOLD AND TAPPETS



MANIFOLD AND TAPPETS

Ref. No.	Part No.	Description	Quantity	Remarks
1	71-3556	Inlet manifold	1	TR7RV
2	70-5660	Joint washer	2	
3	21-1876	Stud	4	
4	60-4248	Washer      Manifold to head	4	
5	21-1877	Nut	4	
6	21-1996	Stud	2	
7	70-9554	Insulating ring	2	
8	70-9555	Cup	2	
9	14-1301	Nut	2	
10	71-3339	Inlet manifold - L.H.	1	T140V
11	71-3338	Inlet manifold - R.H.	1	
12	71-2813	Stud	4	
13	71-3573	Joint washer	2	
14	70-9554	Insulating ring	4	
15	70-9555	Cup	4	
16	14-1301	Nut	4	
17	71-3313	Connector	2	
18	71-3577	Connector pipe	1	
19	83-4898	Bracket - Air control lever	1	
20	14-6113	Screw, bracket to manifold	1	
21	70-9352	Inlet tappet guide block	1	
22	70-9353	Exhaust tappet guide block	1	
23	70-7563	'O' ring	2	
24	97-0200	Set bolt	2	
25	70-2441	Washer	2	
26	71-7008	Inlet tappet	2	
27	70-8801	Exhaust tappet	2	
28	60-4260	Spring, washer	1	

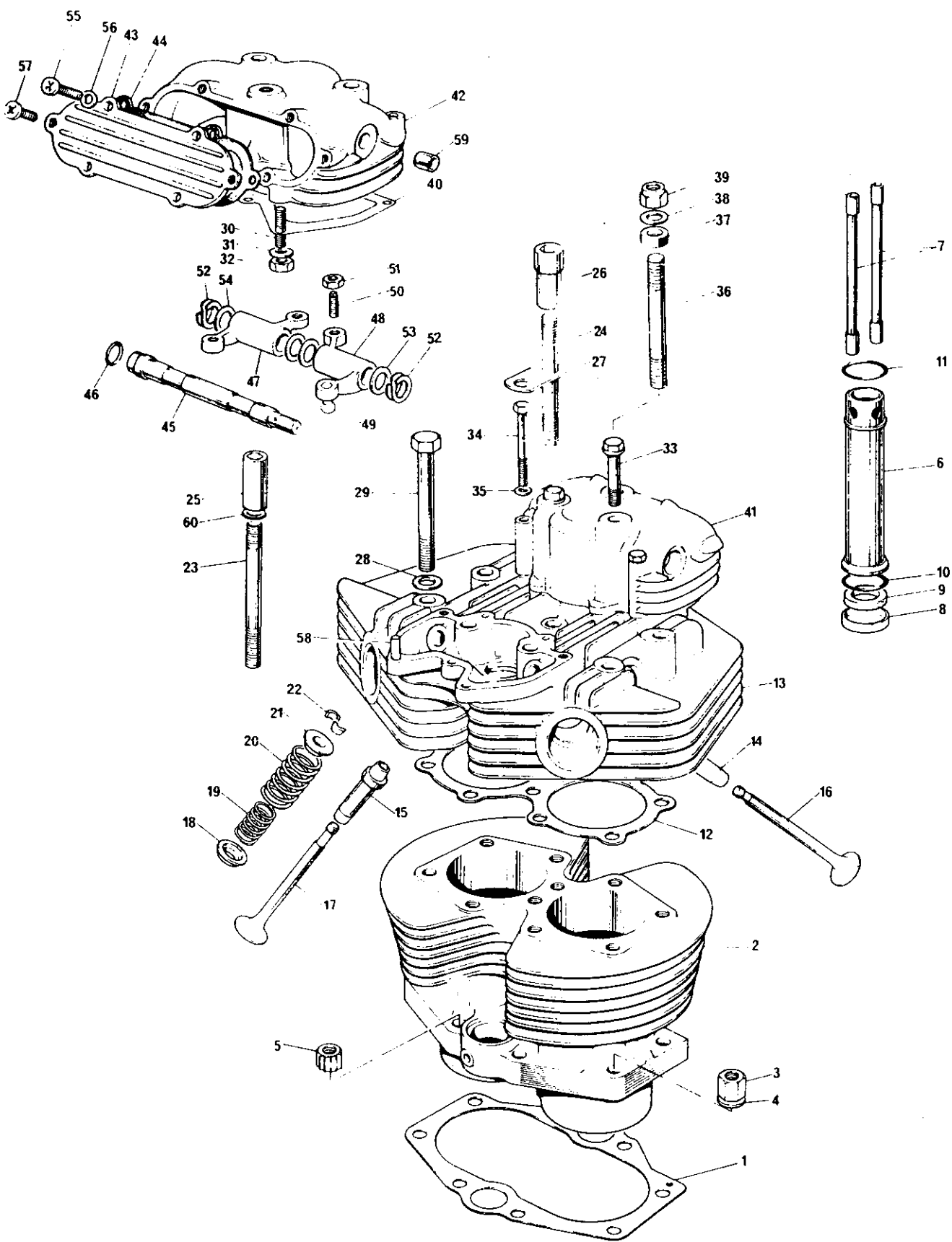


Fig. 5. CYLINDER BLOCK AND HEAD, TR7RV

CYLINDER BLOCK AND HEAD TR7RV

Ref. No.	Part No.	Description	Quantity	Remarks
1	70-6309	Cylinder base washer	1	
2	71-4005	Cylinder block	1	
3	21-2177	Cylinder base nut	4	
4	70-3446	Washer	4	
5	21-0692	Cylinder base nut (12 point)	4	
6	71-3329	Push rod cover tube	2	
7	71-3330	Push rod	4	
8	71-1707	Sleeve	2	} Cover tubes
9	70-4752	Sealing ring	2	
10	70-7310	'O' ring - bottom	2	
11	71-1283	'O' ring - top	2	
12	71-3681	Cylinder head gasket	1	
13	71-4020	CYLINDER HEAD	1	
14	71-3294	Inlet valve guide	2	
15	71-3295	Exhaust valve guide	2	
16	70-4603	Inlet valve	2	
17	70-2904	Exhaust valve	2	
18	71-3296	Bottom cup	4	
19	70-4221	Inner valve spring	4	
20	70-7400	Outer valve spring	4	
21	70-1543	Top collar	4	
22	71-3748	Split cotter	8	
23	21-2201	Stud - cylinder head (3/8 in.)	4	
24	21-2200	Stud - cylinder head (5/16 in.)	2	
25	21-2204	Socket nut (3/8 in.)	4	
26	21-2205	Socket nut (5/16 in.)	2	
27	71-3553	Bridge plate	1	
28	82-2184	Washer	4	
29	14-0241	Bolt - cylinder head	4	
30	14-1401	Stud - rocker box	6	
31	70-3302	Washer	6	
32	14-0301	Nut	6	
33	21-2206	Bolt - rocker box	4	
34	21-1875	Bolt - rocker box	4	
35	60-4248	Washer	4	
36	21-2197	Stud	2	} Torque stay
37	37-2338	Distance piece	2	
38	60-2331	Washer	2	
39	14-1303	Nut	2	
40	71-2599	Rocker box gasket	2	
41	71-3668	Inlet rocker box	1	
42	71-3669	Exhaust rocker box	1	
43	71-3671	Tappet inspection cover	2	
44	71-3673	Gasket	2	
45	71-3549	Rocker spindle	2	
46	60-3548	Sealing ring	2	

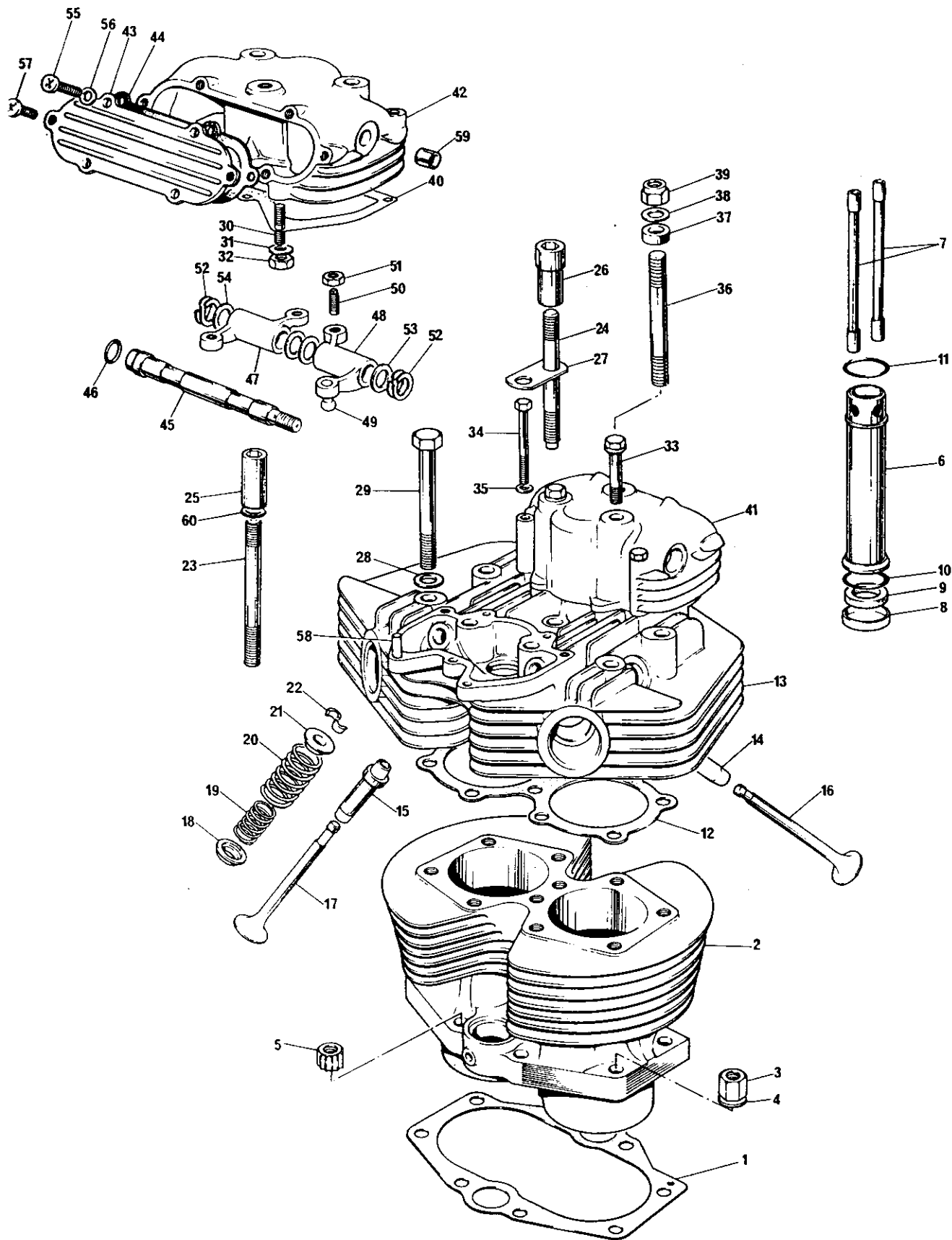
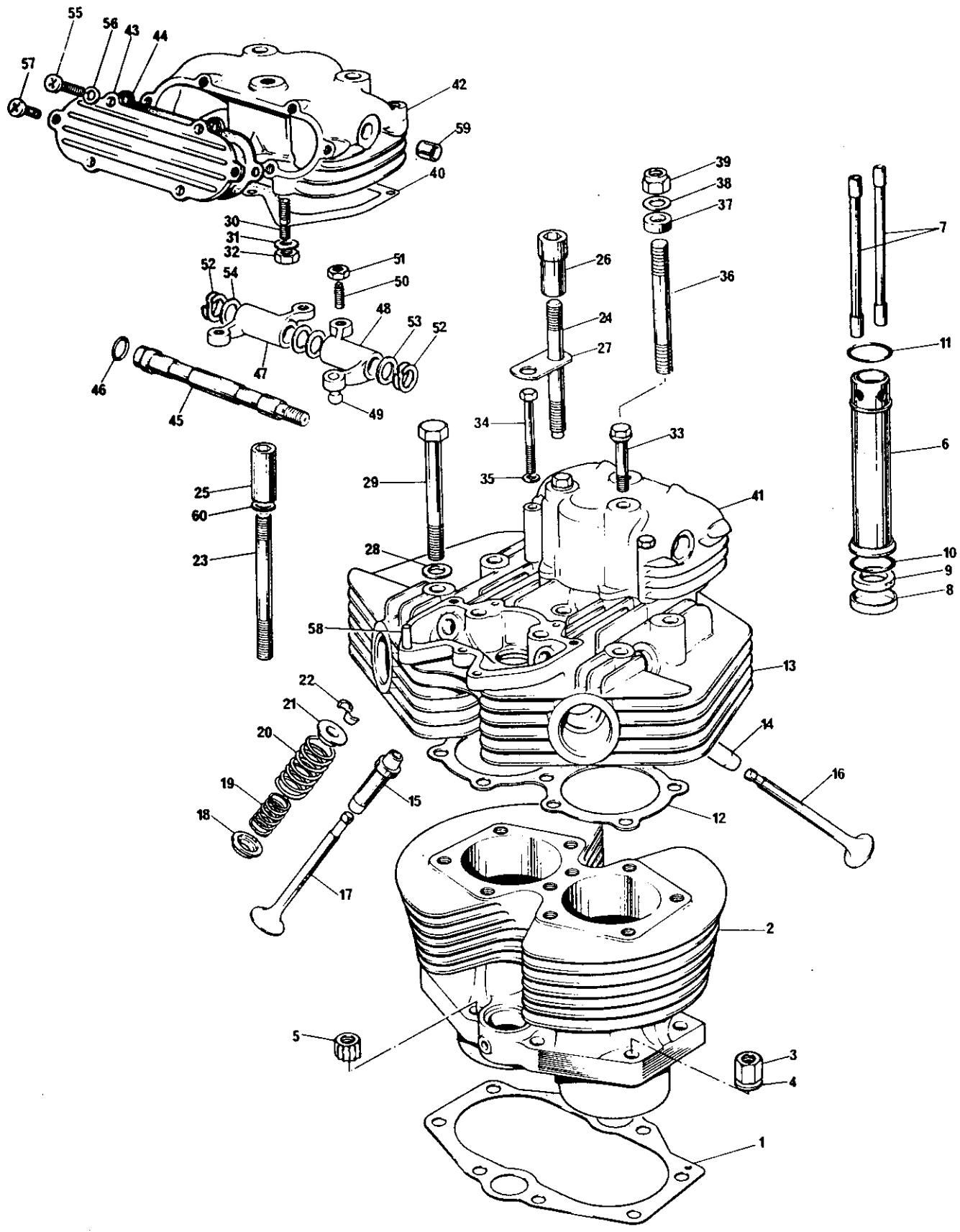


Fig. 5. CYLINDER BLOCK AND HEAD, TR7RV

CYLINDER BLOCK AND HEAD, TR7RV (continued)

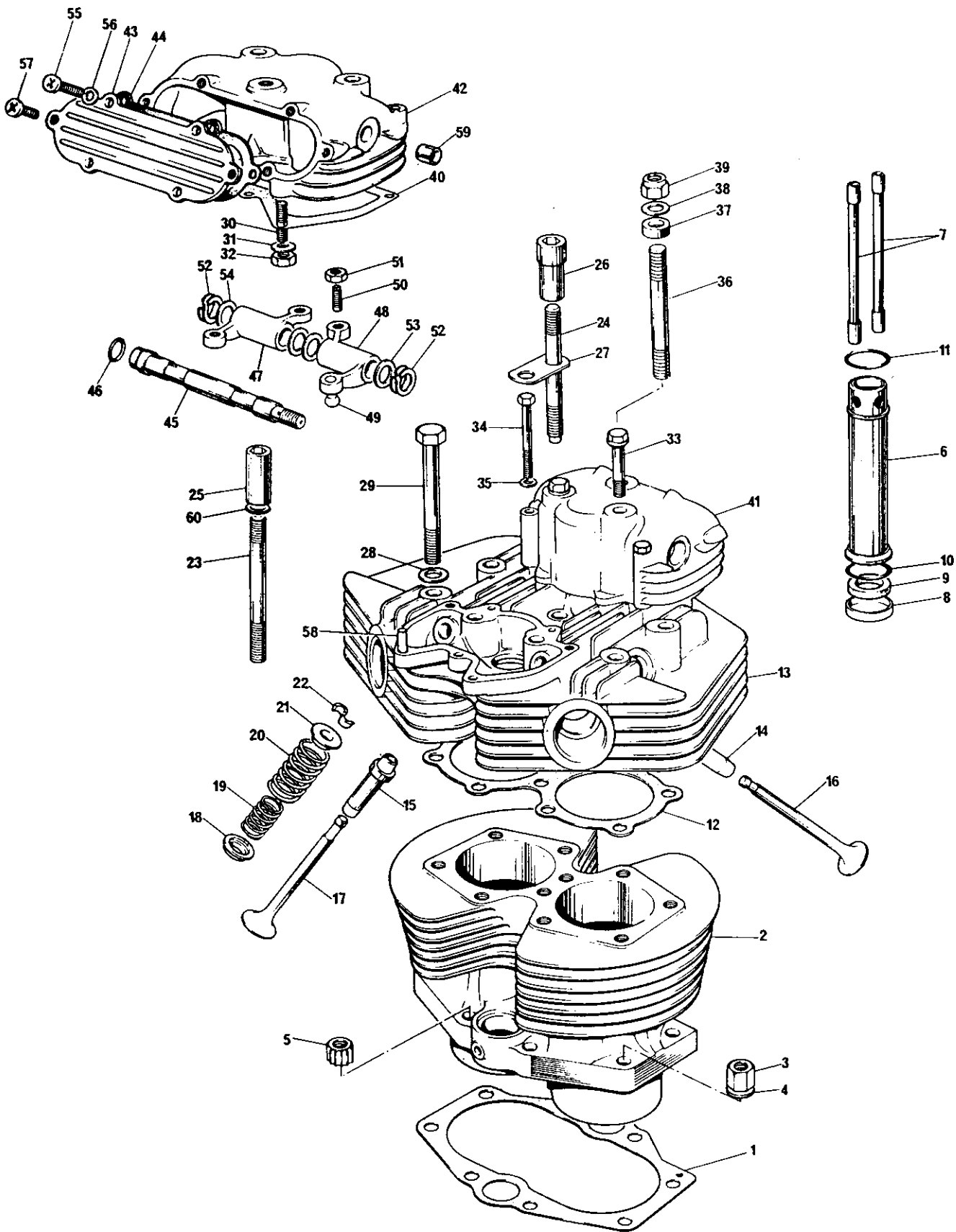
Ref. No.	Part No.	Description	Quantity	Remarks
47	70-1457	Rocker (right exhaust, left inlet)	2	
48	70-1458	Rocker (left exhaust, right inlet)	2	
49	71-0070	Ball pin	4	
50	70-1513	Adjusting pin	4	
51	70-0470	Lock nut	4	
52	70-1574	Spring washer	4	
53	70-1575	Thrust washer ( $\frac{1}{2}$ in.)	6	
54	70-1330	Thrust washer ( $\frac{3}{8}$ in.)	2	
55	14-6103	Set screw	8	
56	60-3963	Washer	12	
57	14-6606	Set screw	4	
58	71-2361	Dowel, rocker box to head	4	
59	70-3135	Rocker spindle bush	2	
60	71-2598	Plain washer	4	



CYLINDER BLOCK AND HEAD, TI40V

CYLINDER BLOCK AND HEAD, T140V

Ref. No.	Part No.	Description	Quantity	Remarks
1	70-6309	Cylinder base washer	1	
2	71-4005	Cylinder block	1	
3	21-2177	Cylinder base nut	4	
4	70-3446	Washer	4	
5	21-0692	Cylinder base nut (12 point)	4	
6	71-3329	Push rod cover tube	2	
7	71-3330	Push rod	4	
8	71-1707	Sleeve	2	
9	70-4752	Sealing ring	2	} Cover tubes
10	70-7310	'O' ring - bottom	2	
11	71-1283	'O' ring - top	2	
12	71-3681	Cylinder head gasket	1	
13	71-7007	CYLINDER HEAD	1	
14	71-3294	Inlet valve guide	2	
15	71-3295	Exhaust valve guide	2	
16	70-4603	Inlet valve	2	
17	70-2904	Exhaust valve	2	
18	71-3296	Bottom cup	4	
19	70-4221	Inner valve spring	4	
20	70-7400	Outer valve spring	4	
21	70-1543	Top collar	4	
22	71-3748	Split cotter	8	
23	21-2201	Stud- cylinder head (3/8 in.)	4	
24	21-2200	Stud - cylinder head (5/16 in.)	2	
25	21-2204	Socket nut (3/8 in.)	4	
26	21-2205	Socket nut (5/16 in.)	2	
27	71-3553	Bridge plate	1	
28	82-2184	Washer	4	
29	14-0241	Bolt - cylinder head	4	
30	14-1401	Stud - rocker box	6	
31	70-3302	Washer	6	
32	14-0301	Nut	6	
33	21-2206	Bolt - rocker box	4	
34	21-1875	Bolt - rocker box	4	
35	60-4248	Washer	4	
36	21-2197	Stud	2	} Torque stay
37	37-2338	Distance piece	2	
38	60-2331	Washer	2	
39	14-1303	Nut	2	
40	71-2599	Rocker box gasket	2	
41	71-3668	Inlet rocker box	1	
42	71-3669	Exhaust rocker box	1	
43	71-3671	Tappet inspection cover	2	
44	71-3673	Gasket	2	
45	71-3549	Rocker spindle	2	
46	60-3548	Sealing ring	2	



CYLINDER BLOCK AND HEAD, T140V



CYLINDER BLOCK AND HEAD, T140V (continued)

Ref No.	Part No.	Description	Quantity	Remarks
47	70-1457	Rocker (right exhaust, left inlet)	2	
48	70-1458	Rocker (left exhaust, right inlet)	2	
49	71-0070	Ball pin	4	
50	70-1513	Adjusting pin	4	
51	70-0470	Lock nut	4	
52	70-1574	Spring washer	4	
53	70-1575	Thrust washer ( $\frac{1}{2}$ in.)	6	
54	70-1330	Thrust washer ( $\frac{3}{8}$ in.)	2	
55	14-6103	Set screw	8	
56	60-3963	Washer	12	
57	14-6606	Set screw	4	
58	71-2361	Dowel, rocker box to head	4	
59	70-3135	Rocker spindle bush	2	
60	71-2598	Plain washer	4	

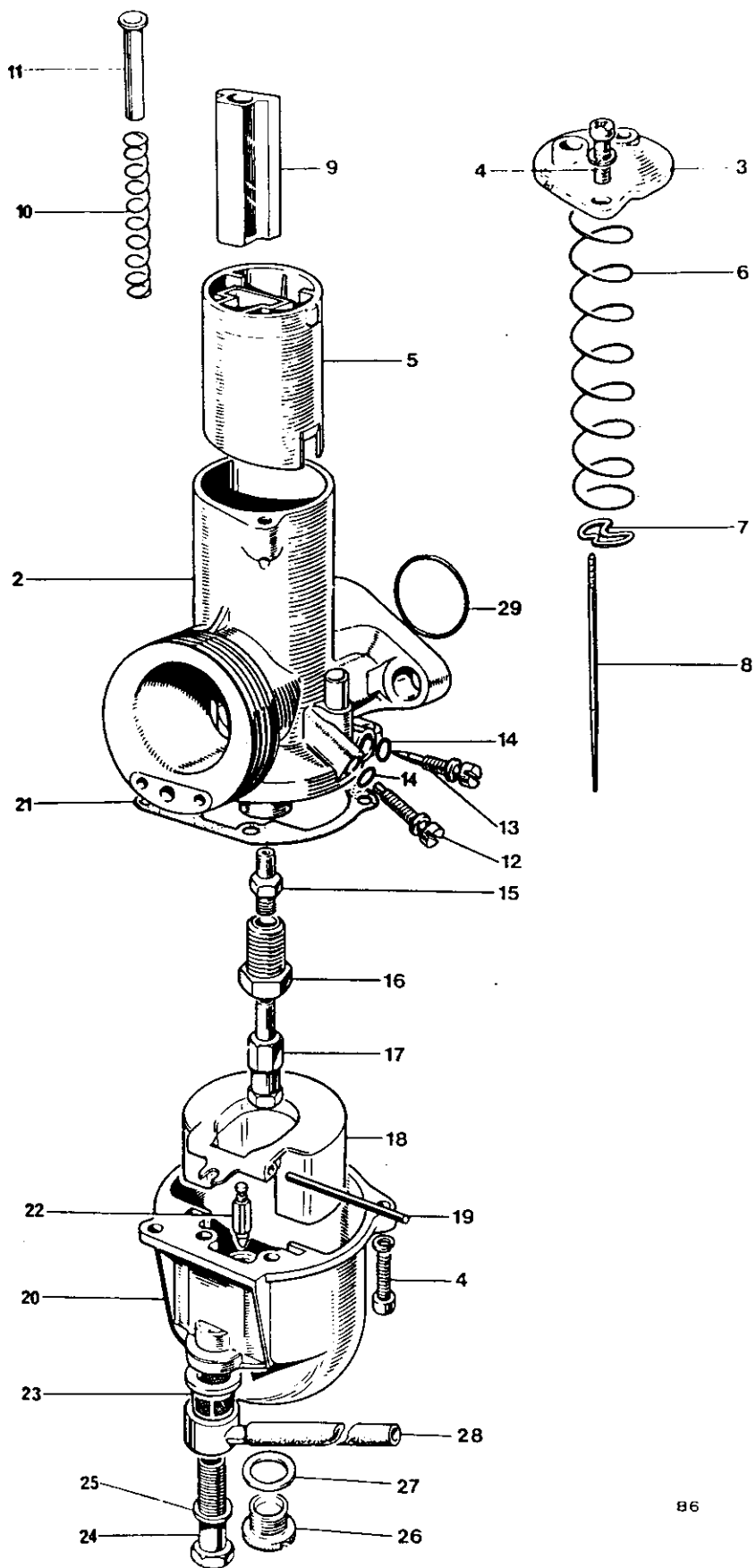


Fig. 8. AMAL CARBURETOR, TR7RV

B6

CARBURETOR TR7RV

Ref. No.	NVT Part No.	Makers Part No.	Description	Quantity	Remarks
1	19-2454	R930/94	CARBURETTOR	1	
2	Amal.	930/005	Carburettor body	1	
3	Amal.	928/098	Mixing chamber top	1	
4	99-0521	622/086	Screw, float and mixing chamber tops	4	
5	99-0527	928/060	Throttle valve (No. 3 cutaway)	1	
6	99-1033	622/131	Throttle return spring	1	
7	99-0510	622/067	Needle clip	1	
8	99-1036	622/124	Needle	1	
9	99-0528	928/062	Air valve	1	
10	99-1038	622/129	Air valve spring	1	
11	99-1037	928/103	Air valve guide	1	
12	99-0516	622/077	Throttle stop screw	1	
13	99-0515	622/076	Pilot air screw	1	
14	99-0520	622/082	'O' ring for air and throttle screws	2	
15	99-1035	622/122	Needle jet (.106)	1	
16	99-1034	622/128	Jet holder	1	
17	99-0454	376/100	Main jet (270)	1	
18	99-0512	622/069	Float	1	
19	99-0513	622/071	Float spindle	1	
20	99-0506	622/055	Float chamber	1	
21	99-0514	622/073	Float chamber washer	1	
22	99-0511	622/068	Float needle	1	
23	99-0438	376/093	Filter	1	
24	99-0517	622/078	Banjo bolt	1	
25	99-1124	13/163	Banjo washer	1	
26	99-1152	622/147	Drain plug	1	
27	99-1153	622/151	Drain plug washer	1	
28	83-4887	-	Petrol pipe	1	
29	70-9711	622/101	'O' ring for flange	1	
	Amal.	622/172	Tickler complete	1	Not illustrated

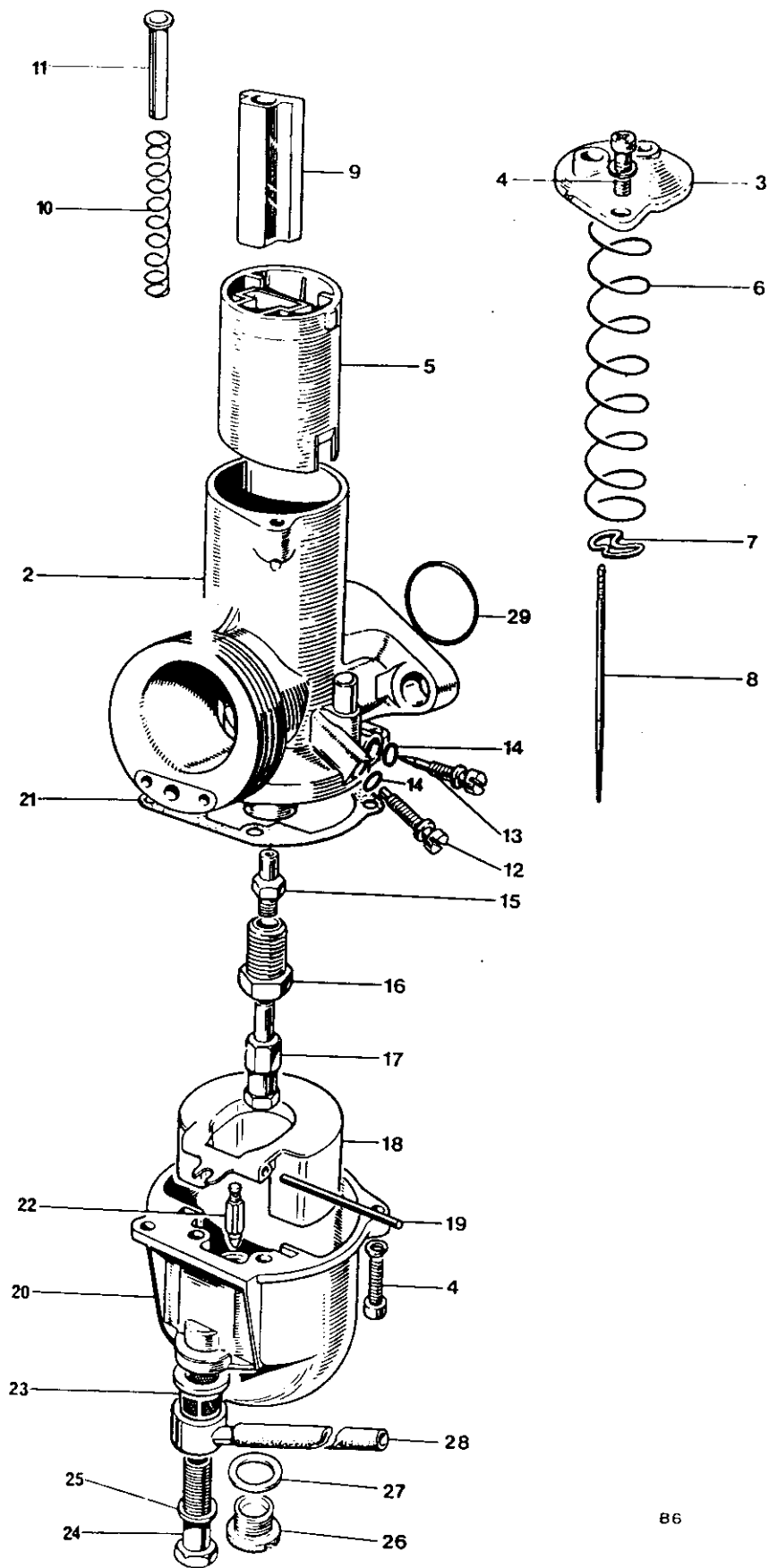


Fig. 9. AMAL CARBURETOR, TI40V

CARBURETOR T140V

Ref. No.	NVT Part No.	Makers Part No.	Description	Quantity	Remarks	
1	19-2452	L930/93	CARBURETTOR, LEFT	1		
1	19-2453	R930/92	CARBURETTOR, RIGHT	1		
2	Amal.	L930	Carburettor body, LEFT	1		
2	Amal	R930	Carburettor body, RIGHT	1		
3	Amal.	928/098	Mixing chamber top	1	} Each carburettor	
4	99-0521	622/086	Screw, float and mixing chamber tops	4		
5	99-0527	928/060	Throttle valve (No. 3 cutaway)	1		
6	99-1033	622/131	Throttle return spring	1		
7	99-0510	622/067	Needle clip	1		
8	99-1036	622/124	Needle	1		
9	99-0528	928/062	Air valve	1		
10	99-1038	622/129	Air valve spring	1		
11	99-1037	928/103	Air valve guide	1		
12	99-0516	622/077	Throttle stop screw	1		
13	99-0515	622/076	Pilot air screw	1		
14	99-0520	622/082	'O' ring for air and throttle screws	2		
15	99-1035	622/122	Needle jet (.106)	1		
16	99-1034	622/128	Jet holder	1		
17	99-0446	376/100	Main jet (190)	1		
18	99-0512	622/069	Float	1		
19	99-0513	622/0701	Float spindle	1		
20	99-0506	622/055	Float chamber	1		
21	99-0514	622/073	Float chamber washer	1		
22	99-0511	622/068	Float needle	1		
23	99-0438	376/093	Filter	1		
24	99-0517	622/078	Banjo bolt	1		
25	99-1124	13/163	Banjo washer	1		
26	99-1152	622/147	Drain plug	1		
27	99-1153	622/151	Drain plug washer	1		
28	83-3927	-	Petrol pipe	1		
28	83-6209	-	Petrol pipe	1		1977 4 Gal! T140 Petrol Tanks only
29	70-9711	622/101	'O' ring for flange	1		Each carburettor
	Amal	622/172	Tickler complete	1	Not illustrated	

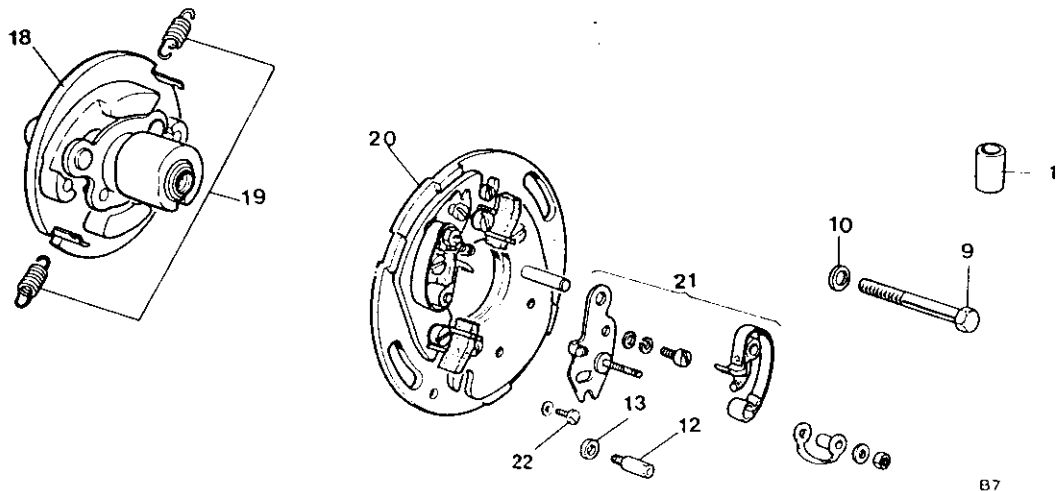
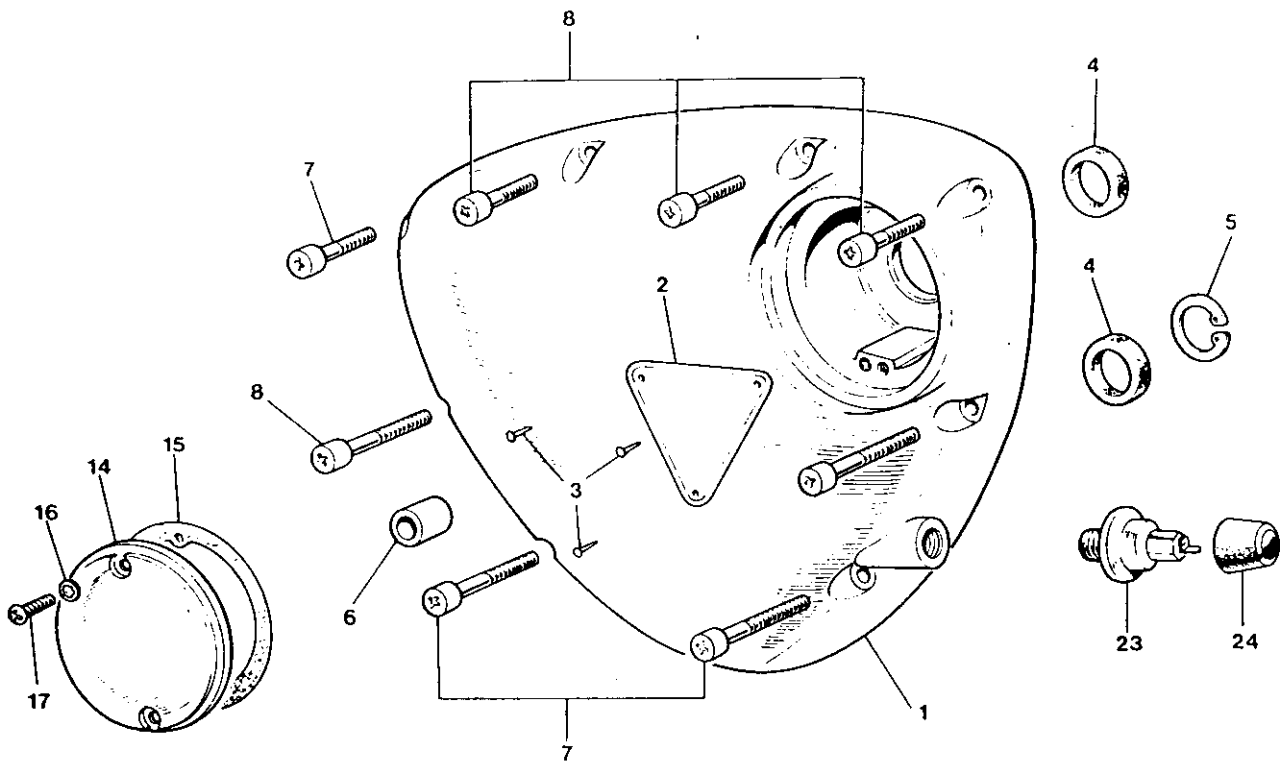
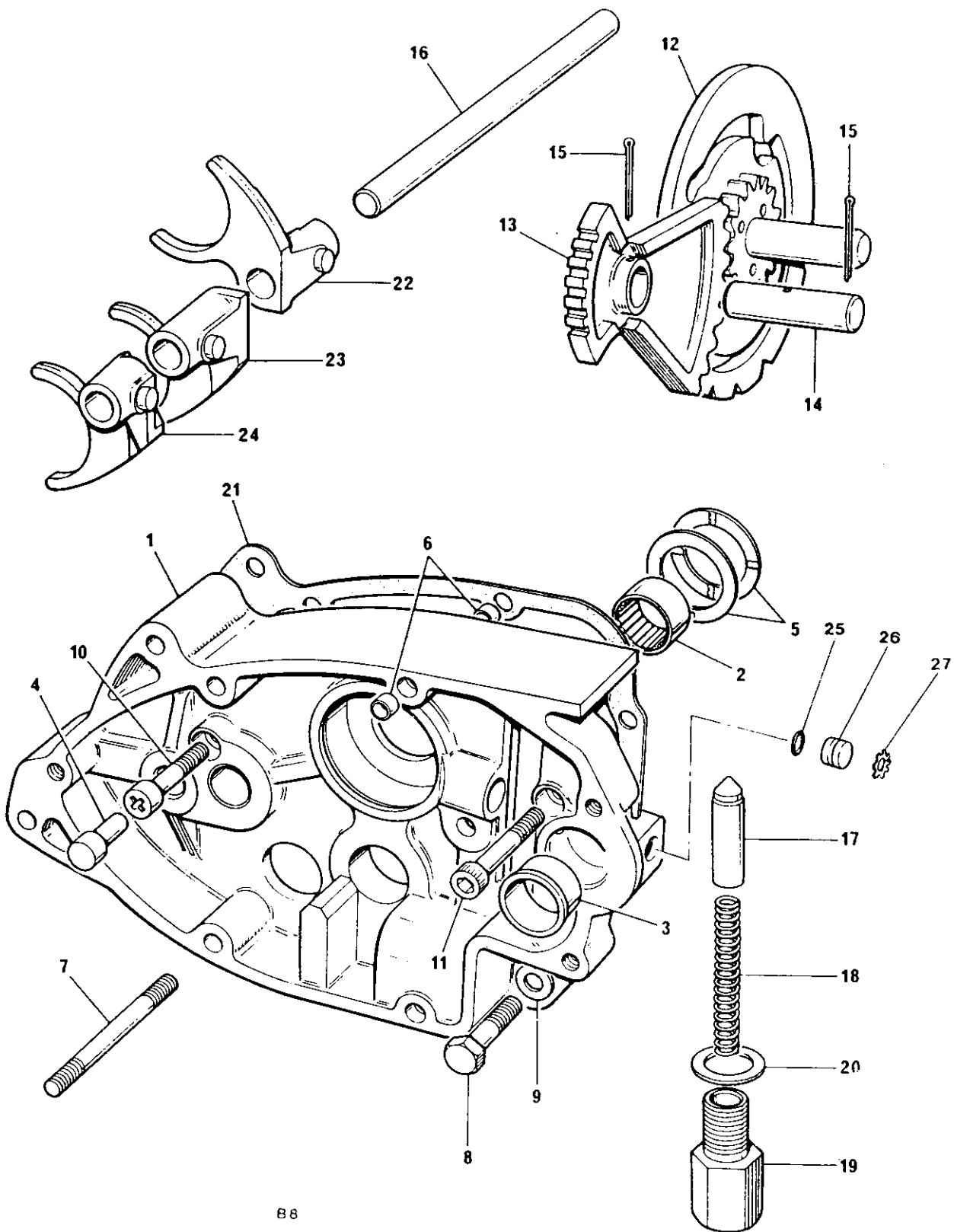


Fig. 10. TIMING COVER AND CONTACT BREAKER

## TIMING COVER AND CONTACT BREAKER

Ref. No.	Part No.	Description	Quantity	Remarks
1	70-9246	Timing cover	1	
2	70-4016	Patent plate	1	
3	60-4255	Hammer-drive screw	3	
4	70-4568	Oil seal	2	
4	70-6387	Oil seal (0.020 in. undersize)		For reground crankshaft
5	70-4569	Circlip	1	
6	57-0989	Hollow dowel	2	
7	14-6609	Screw, long	2	
8	14-6608	Screw, short	6	
9	14-0208	Bolt	1	
10	70-8163	Plain washer	1	
11	70-4707	Rubber grommet	1	
12	70-7680	Pillar bolt	2	
13	70-6559	Plain washer	2	
14	70-8737	Cover	1	
15	71-1462	Joint washer	1	
16	97-0430	Fibre washer	2	
17	70-7354	Screw ( $\frac{1}{2}$ in. U.H.)	2	
18	99-1263	AUTO ADVANCE UNIT	1	Lucas 54425657
19	99-1264	Spring set	1	Lucas 54412229
20	99-1265	CONTACT BREAKER PLATE ASSEMBLY	1	Lucas 54425160
21	99-1266	Contact set	2	Lucas 60600271
22	99-0769	Pin, adjustment	2	Lucas 54419220
23	60-3719	Oil pressure switch	1	
24	71-2930	Cover pressure switch	1	
Not illus.	60-2138	Timing label for C.B. cover	1	



88

Fig. 11 GEARBOX INNER COVER AND SELECTORS



GEARBOX INNER COVER AND SELECTORS

Ref. No.	Part No.	Description	Quantity	Remarks
1	57-7001	GEARBOX INNER COVER	1	
2	57-1614	Layshaft bearing	1	
3	57-7009	Gearchange spindle bush	1	
4	57-0045	Kickstart stop	1	
5	57-1607	Thrust washer	2	
6	57-0989	Hollow dowel	4	
7	21-2149	Stud	2	
8	21-1907	Bolt	1	
9	70-3446	Washer	1	
10	14-6608	Screw	1	
11	14-7023	Screw	1	
12	57-4889	Camplate	1	
13	57-7019	Operating quadrant	1	
14	57-7011	Quadrant spindle	1	
15	-	Split pin (5/64 in. x 1 3/8 in.)		Reference only
16	57-3989	Selector fork rod	1	
17	57-7020	Index plunger	1	
18	57-4459	Plunger spring	1	
19	57-4400	Housing, index plunger	1	
20	57-3978	Washer	1	
21	57-7012	Joint washer, inner cover to crankcase	1	
22	57-4364	Selector fork - mainshaft 4th gear	1	
23	57-4366	Selector fork - layshaft 3rd gear	1	
24	57-4660	Selector fork - layshaft 1st gear	1	
25	37-3761	'O' ring	1	
26	57-7015	Plug	1	
27	57-7016	Retainer	1	

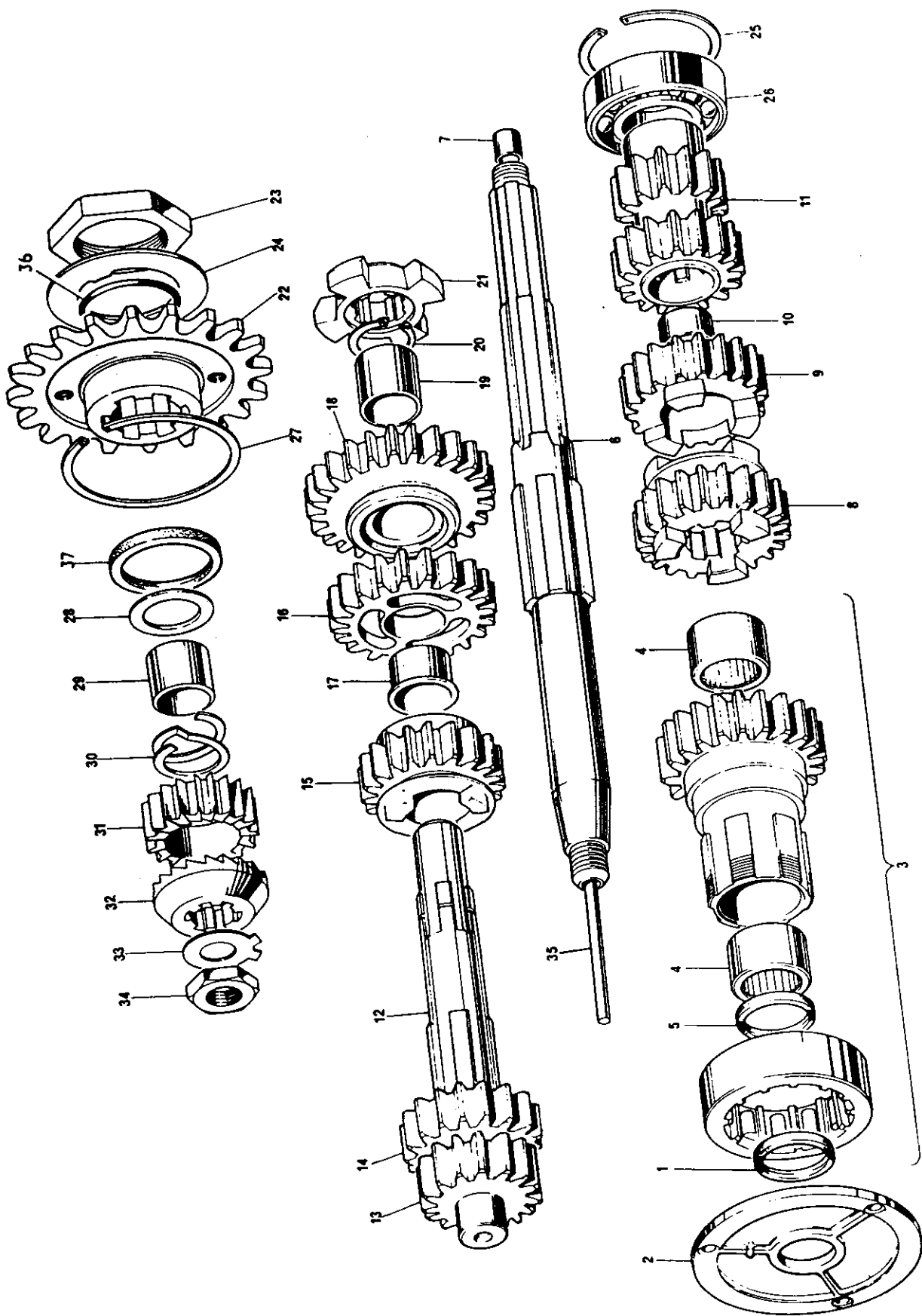
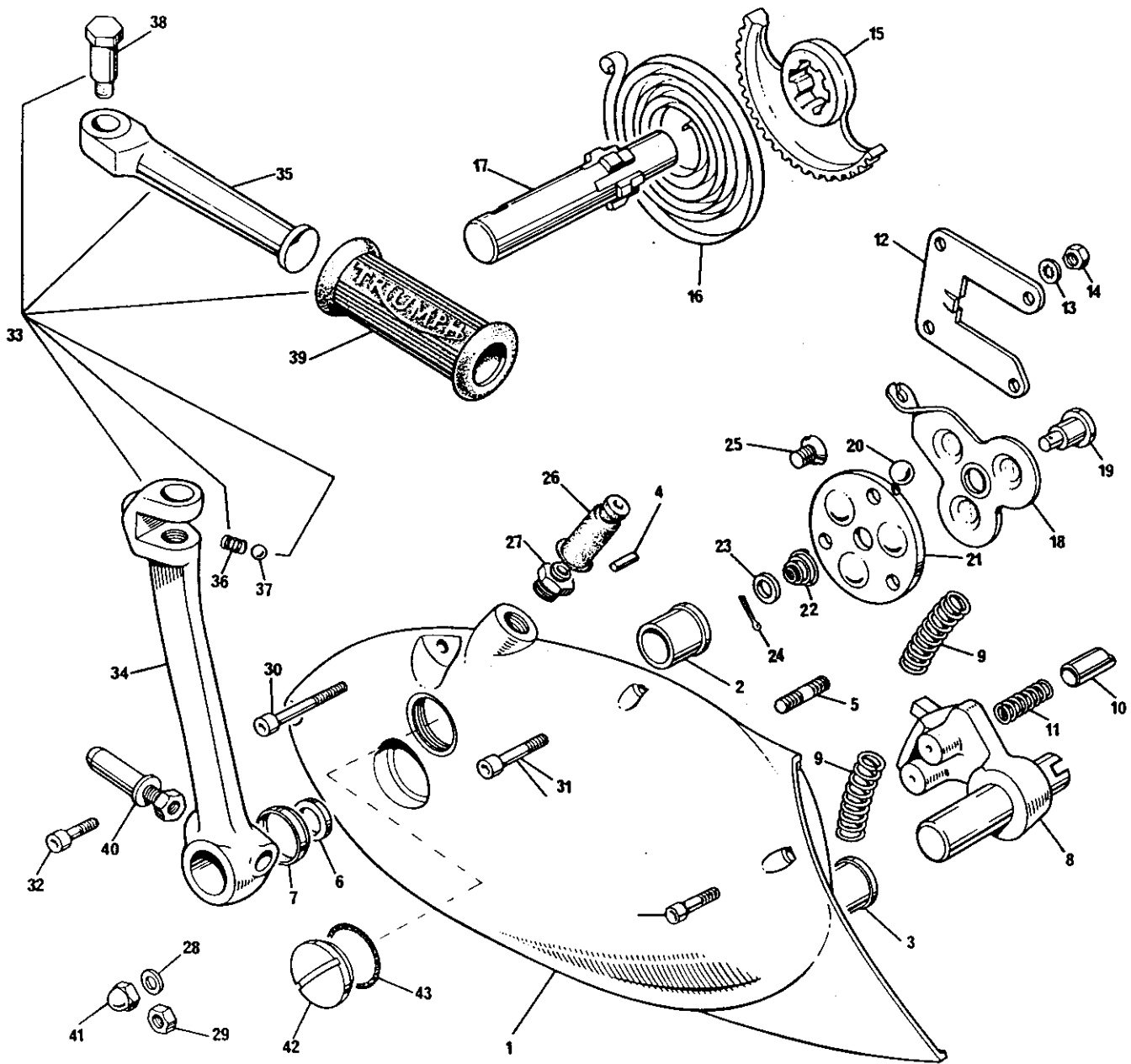


FIG. 12 GEARBOX SHAFTS AND GEARS (5 SPEED)

## GEARBOX SHAFTS AND GEARS

Ref. No.	Part No.	Description	Quantity	Remarks
1	60-3500	Oil seal, cover plate	1	
2	70-3789	Cover plate	1	
3	57-4781	MAINSHAFT HIGH GEAR ASSEMBLY (C/W HIGH GEAR BEARING)	1	
4	60-3511	Needle roller bearing	2	
5	60-3500	Oil seal, high gear	1	
6	57-4432	MAINSHAFT	1	
7	57-3988	Bush	1	
8	57-4376	Mainshaft 4th gear	1	
9	57-4377	MAINSHAFT 3rd GEAR	1	
10	57-4379	Bush	Reference only	
11	57-4653	Mainshaft 1st and 2nd gear	1	
12	57-4900	LAYSHAFT	1	
13	57-4791	Layshaft high gear	Reference only	
14	57-4787	Layshaft 4th gear	Reference only	
15	57-4647	Layshaft 3rd gear	1	
16	57-4657	LAYSHAFT 2nd GEAR	1	
17	57-4659	Bush	1	
18	57-4654	LAYSHAFT 1st GEAR	1	
19	57-4656	Bush	1	
20	60-3494	Circlip	1	
21	57-4661	Driving dog	1	
22	57-4782	Gearbox sprocket - 20T	1	
23	57-4396	Locknut	1	
24	57-4909	Lock washer	1	
25	70-0489	Circlip	1	
26	60-3552	Mainshaft bearing	1	Hoffman LS8 2 SPOT
27	57-4113	Circlip	1	
28	57-1962	Washer	1	
29	57-1963	Pinion sleeve	1	
30	57-1250	Pinion spring	1	
31	57-0730	Kickstart pinion	1	
32	57-0731	Kickstart ratchet	1	
33	57-2240	Tab washer	1	
34	21-0594	Nut	1	
35	57-1736	Clutch operating rod	1	
36	71-1070	'O' ring, gearbox sprocket	1	
37	60-3512	Oil seal, gearbox sprocket	1	



B10

Fig. 13. GEARBOX OUTER COVER

## GEARBOX OUTER COVER

Ref. No.	Part No.	Description	Quantity	Remarks
1	57-7014	GEARBOX OUTER COVER	1	
2	57-0023	Kickstarter spindle bush	1	
3	57-7008	Gearchange spindle bush	1	
4	57-0047	Kickstarter spring anchor pin	1	
5	21-0547	Guide plate stud	4	
6	57-1956	Oil seal	1	
7	57-1955	Oil seal housing	1	
8	57-7021	Gearchange quadrant assembly	1	
9	57-0404	Quadrant return spring	2	
10	57-4403	Gearchange quadrant plunger	2	
11	57-0405	Plunger spring	2	
12	57-0407	Guide plate	1	
13	70-1612	Serrated washer	4	
14	14-0301	Nut	4	
15	57-4117	Kickstarter quadrant	1	
16	57-0031	Kickstarter return spring	1	
17	57-4756	Kickstarter axle	1	
NOT ILLUSTRATED 57-4587 CLUTCH LEVER ASSEMBLY			1	Items 18 to 24 inclusive
18	57-4588	Clutch lever	1	
19	57-1710	Lever shaft	1	
20	60-2368	Ball, 3/8 in. diam.	3	
21	57-4589	Thrust plate	1	
22	57-1712	Return spring	1	
23	57-3673	Plain washer	1	
24	60-2701	Split pin (5/64 in. x 1/2 in.)	1	Reference only
25	21-1879	Countersunk screw	2	
26	57-1646	Rubber cover	1	
27	57-3762	Abutment for clutch cable	1	
28	60-4247	Plain washer	2	
29	14-1302	Nut	1	
30	21-2162	Screw	2	
31	14-6609	Screw	2	
32	14-6608	Screw	1	
FOLDING KICKSTARTER ASSEMBLY			1	
33	57-7018	FOLDING KICKSTARTER ASSEMBLY	1	
34	57-2173	Kickstarter crank	1	
35	57-7017	Kickstarter pedal	1	
36	57-1167	Pedal locating spring	1	
37	60-2364	Steel ball, 1/4 in. diam.	1	
38	21-0541	Pedal bolt	1	
39	57-2330	Pedal rubber	1	
40	57-4356	Cotter pin c/w nut and washer	1	
41	21-0544	Domed nut	1	
42	57-2166	Filler plug	1	
43	70-8782	'O' ring	1	

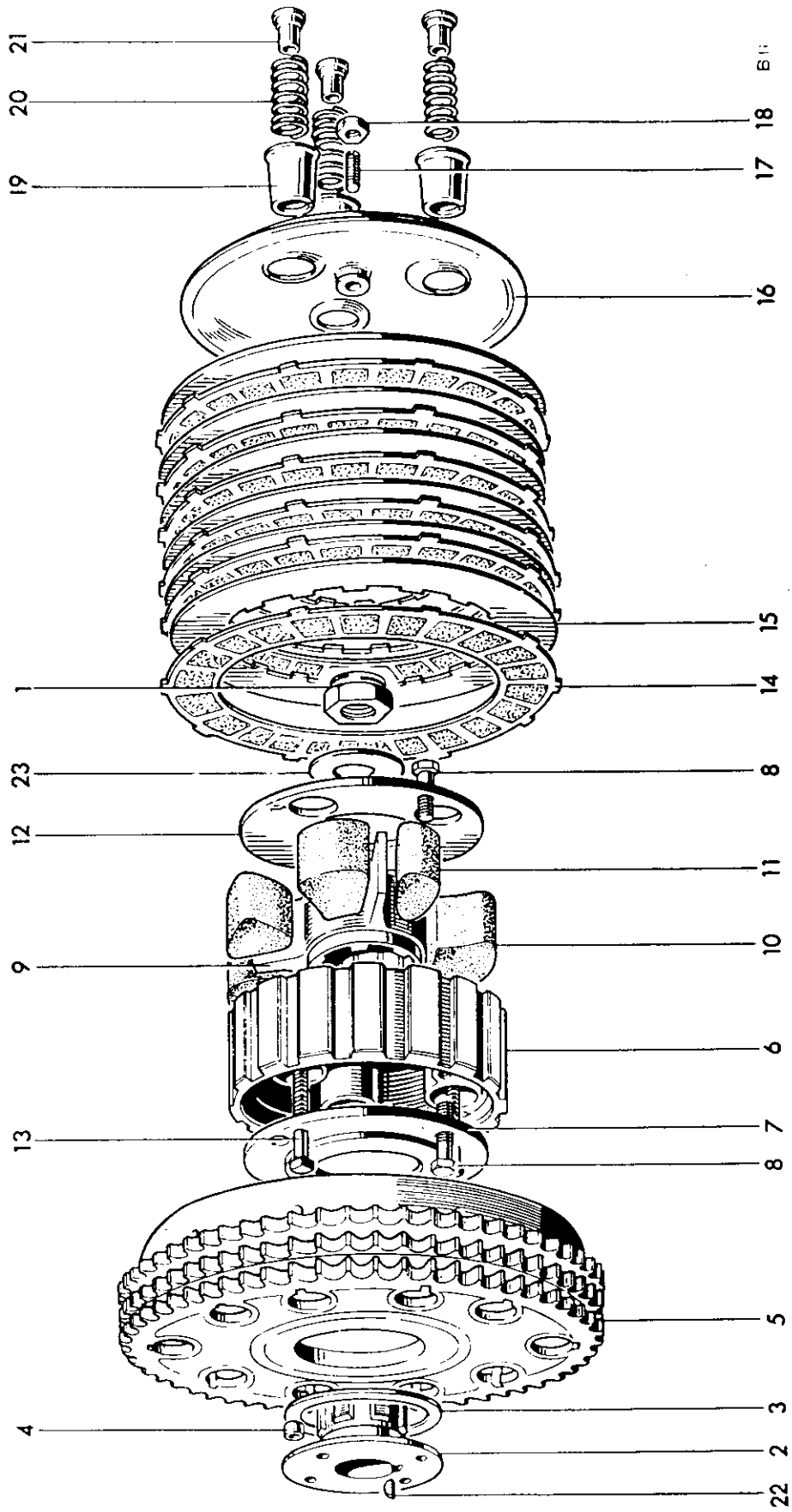
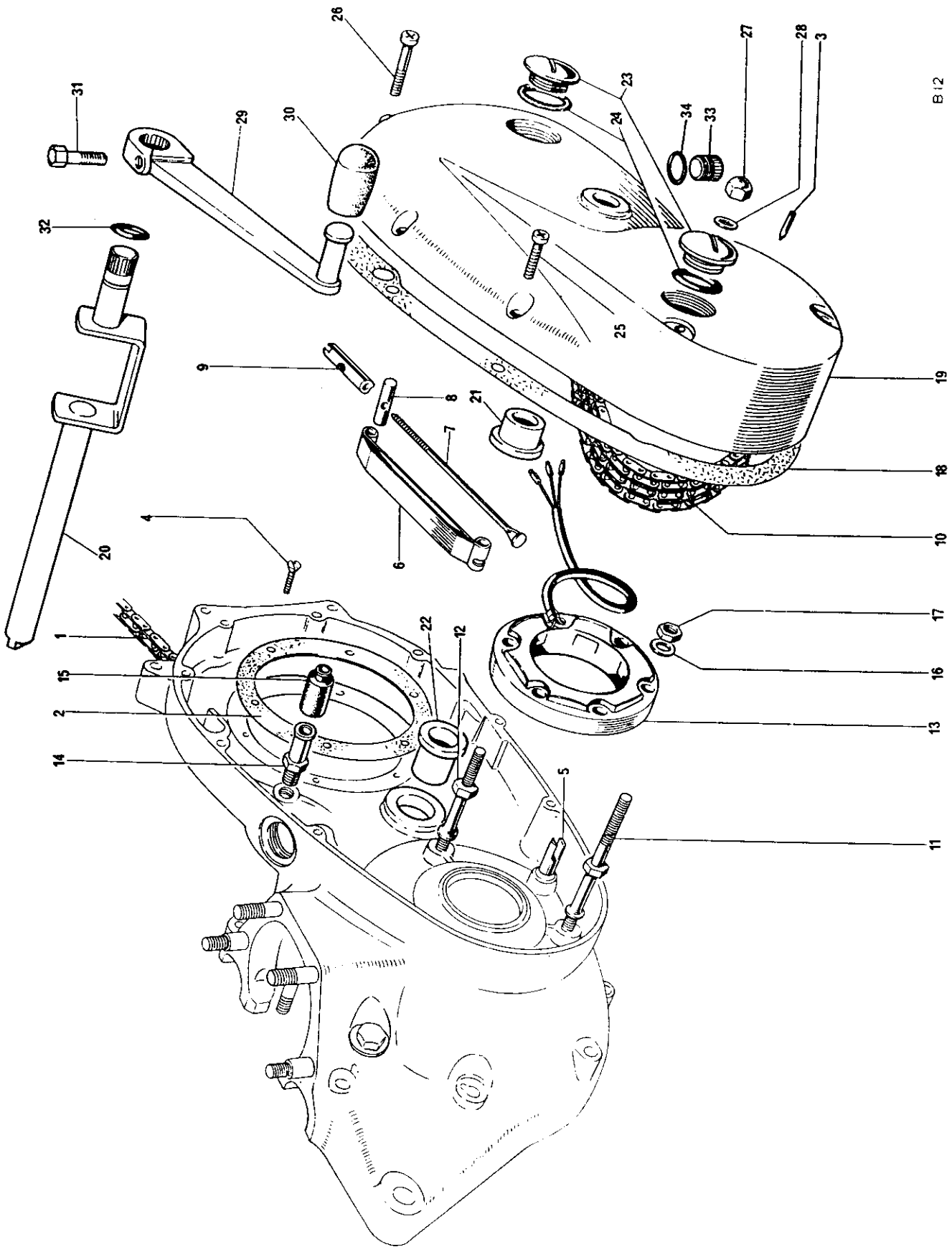


Fig. 14. CLUTCH

## CLUTCH

Ref. No.	Part No.	Description	Quantity	Remarks
1	21-0586	Clutch securing nut	1	
2	57-3929	Hub	1	
3	57-3931	Thrust washer	1	
4	57-0394	Roller	20	
5	57-4640	Sprocket and housing	1	
6	57-4438	Centre	1	
7	57-4436	Inner plate	1	
8	21-2157	Bolt	3	
9	57-4636	Shock absorber spider	1	
10	57-1722	Drive rubber (large)	3	
11	57-1723	Rebound rubber (small)	3	
12	57-4437	Outer plate	1	
13	57-4754	Screwed pin	3	
14	57-4763	Driving plate (bonded)	6	
15	57-1363	Driven plate	6	
16	57-4590	Pressure plate	1	
17	57-2159	Adjuster pin	1	
18	14-0403	Nut	1	
19	57-1931	Spring cup	3	
20	57-4644	Spring	3	
21	57-2526	Pressure nut	3	
22	60-4253	Key	1	
23	57-4794	Washer	1	
Not illustrated	57-4903	Clutch assembly complete	1	
Not illustrated	57-4435	Clutch shock absorber assembly complete	1	



B12

FIG. 15. CHAINCASE AND CHAINS



## CHAINCASE AND CHAINS

Ref. No.	Part No.	Description	Quantity	Remarks
1	60-2118	Rear chain, 5/8 in. x 3/8 in. x 107 links	1	
2	71-1419	Joint washer	1	
3	71-3892	Timing pointer	1	
4	70-3821	Countersunk screw	6	
5	70-5088	Chain tensioner abutment	1	(also listed with crankcase group)
6	70-5085	Chain tensioner blade	1	
7	70-4152	Tie rod	1	
8	70-5087	Trunnion	1	
9	70-9703	Adjuster sleeve nut	1	
10	60-4125	Primary chain, 3/8 in. Triplex x 84 links	1	
11	21-2199	Stator stud	2	
12	21-2198	Stator stud	1	
13	99-1006	Stator, RM21	1	Lucas 47205
14	70-9360	Sleeve nut	1	
15	70-4144	Rubber grommet	1	
16	60-4247	Plain washer	3	
17	14-0702	Self-locking nut	3	
18	71-7009	Joint washer	1	
19	71-7003	Chaincase	1	
20	57-7003	Foot change spindle	1	
21	57-0023	Bushing	1	
22	57-7009	Bushing	1	
23	71-3895	Inspection plug	2	
24	71-3896	'O' ring	2	
25	14-6608	Screw	6	
26	14-6620	Screw	2	
27	21-0544	Domed nut	2	
28	82-1880	Copper washer	2	
29	57-7010	Gearchange pedal	1	
30	57-2450	Pedal rubber	1	
31	14-0201	Bolt	1	
32	60-2640	'O' ring shift spindle	1	
33	14-6113	Drain plug - primary cover	1	
34	70-7431	'O' ring - drain plug	1	

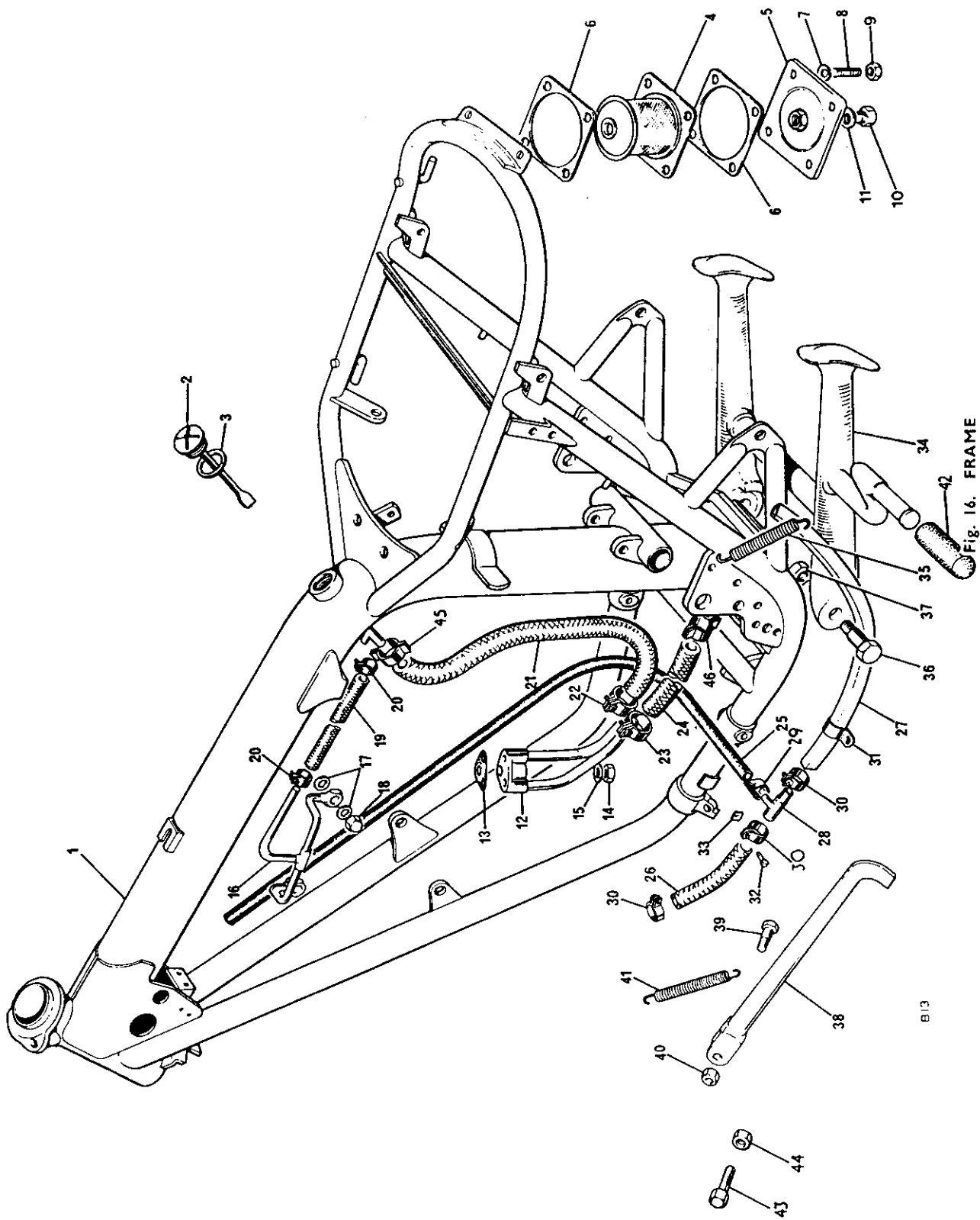


Fig. 16. FRAME

B.13

FRAME

Ref. No.	Part No.	Description	Quantity	Remarks
1	83-7032	Frame	1	
2	71-3463	Oil Filler cap	1	
3	60-3616	'O' ring	1	
4	83-4783	Oil filter	1	
5	71-3316	Sump plate	1	
6	83-2829	Gasket	2	
7	60-2330	Washer	4	
8	21-2109	Stud	4	Sump plate to frame
9	14-1302	Nut	4	
10	82-5343	Drain plug	1	
11	70-1335	Copper washer	1	
12	71-7013	Oil junction block	1	
13	71-3754	Joint washer	1	
14	21-1908	Nut	1	Junction block to crankcase
15	70-3446	Washer		
16	71-3550	Rocker oil pipe	1	
17	70-1335	Washer	4	
18	21-0550	Nut	2	
19	71-3551	Rocker feed pipe	1	
20	70-6848	Clip - rocker feed pipe	2	
21	71-7014	Oil return pipe	1	
22	70-6848	Clip - return pipe	1	
23	82-9073	Clip - feed pipe	1	
24	71-7015	Oil feed pipe	1	
25	71-2349	Oil vent pipe	1	
26	83-5285	Crankcase breather pipe - front	1	
27	83-4813	Crankcase breather pipe - rear	1	
28	83-5290	'T' piece	1	
29	83-7069	Clip - vent pipe to 'T' piece	1	
30	60-2252	Clip - breather pipe - front and rear	2	
31	83-1615	Clip - breather pipe to fender	4	
32	97-3894	Screw	4	
33	82-4717	Nut	4	
34	83-4941	Centre stand	1	
35	83-3793	Spring	1	
36	21-2077	Pivot bolt	2	
37	14-1304	Nut	2	
38	83-1560	Prop stand	1	
39	82-7021	Bolt	1	
40	14-1303	Nut	1	
41	82-8382	Spring	1	
42	57-2331	Pedal rubber, centre stand	1	
Not illus.	60-3361	Transfer "Made in England"	1	
43	14-0114	Bolt	1	Prop stand stop
44	14-0402	Nut		
45	60-4428	'Ear' clamp, oil return pipe	1	
46	60-4429	'Ear' clamp, oil feed pipe	1	

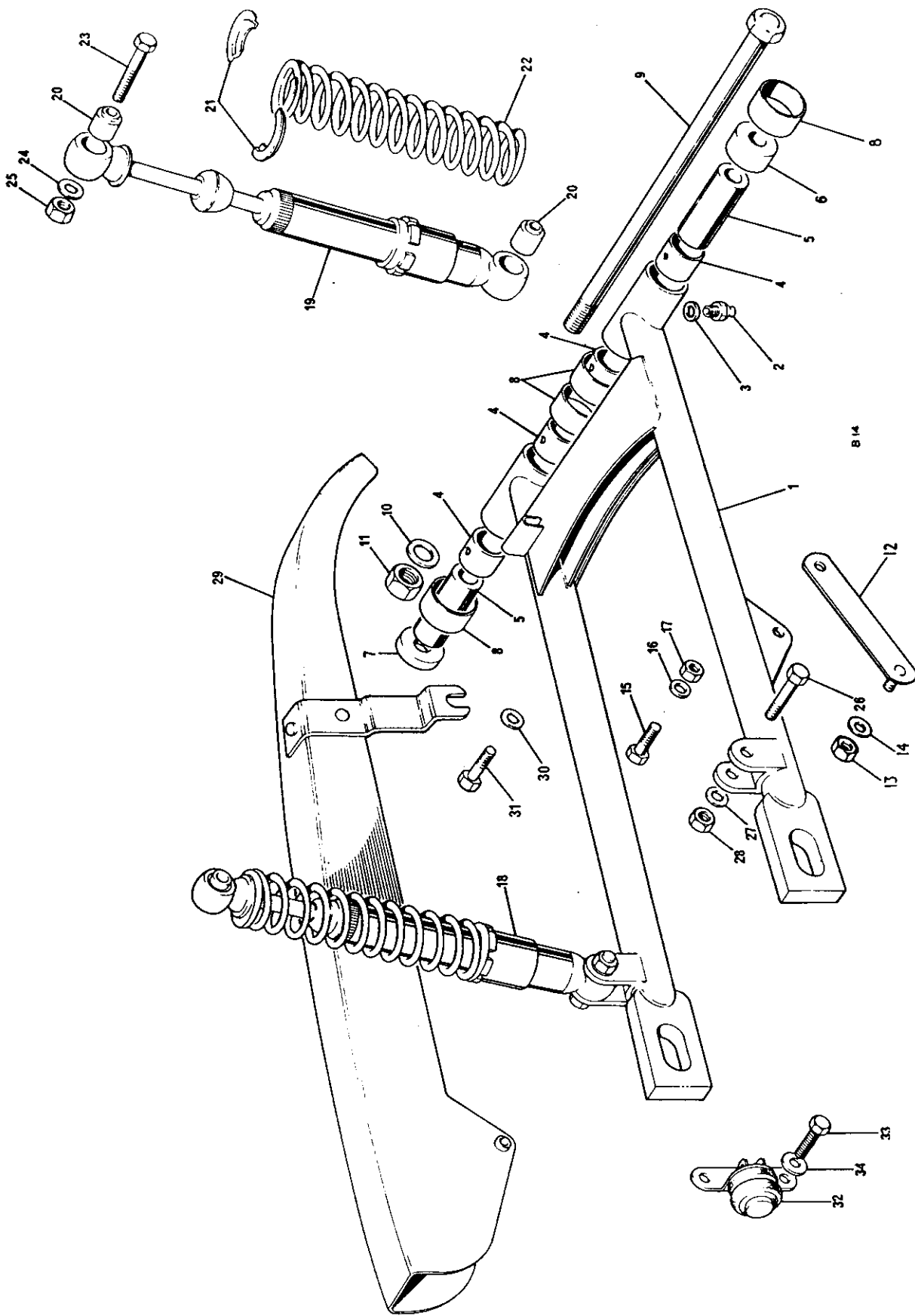


FIG. 17. SWINGING FORK AND SUSPENSION UNITS

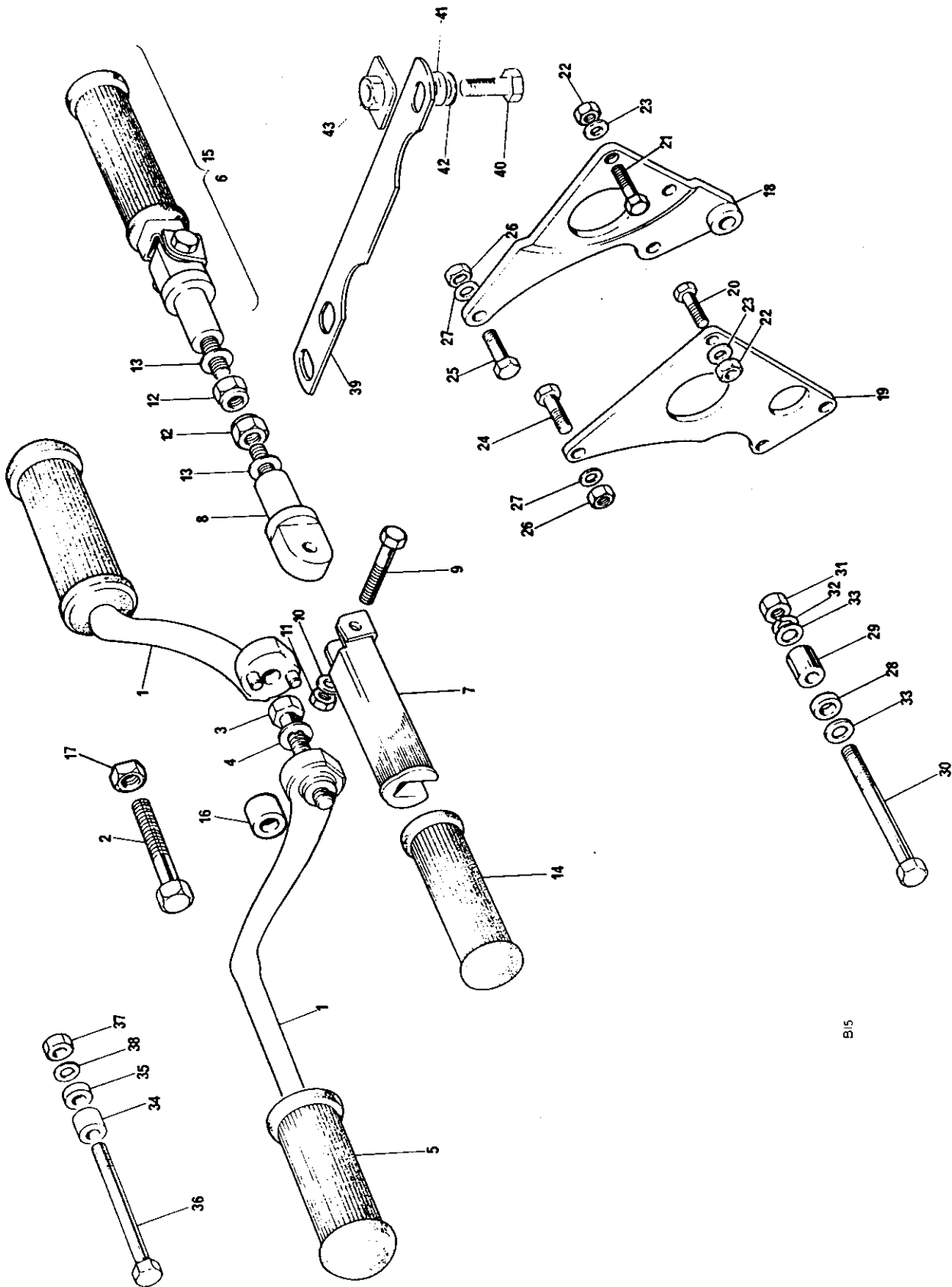
## SWINGING ARM AND SUSPENSION UNITS

Ref. No.	Part No.	Description	Quantity	Remarks
1	83-7035	SWINGING ARM	1	
2	60-1841	Grease nipple	2	
3	71-2501	Washer, grease nipple	2	
4	83-2521	Bush, pivot arm	4	
5	83-2691	Sleeve, swinging arm pivot	2	
6	83-2690	Distance piece R.H.	1	
7	83-2689	Distance piece L.H.	1	
8	83-2692	Dirt excluder	4	
9	21-2087	Pivot bolt - swinging arm	1	
10	83-2266	Washer, swinging arm pivot	2	
11	14-1307	Nut, swinging arm pivot	1	
12	83-7028	Brake torque stay	1	
13	14-1303	Nut er	1	
14	60-4246	Washer	1	
15	21-7004	Bolt, torque stay to swinging arm	1	
16	60-2332	Washer, torque stay to swinging arm	1	
17	14-1304	Nut, torque stay to swinging arm	1	
18	60-3957	SUSPENSION UNIT	2	Girling 64052564
19	Girling	Damper unit		Girling 6405263
20	99-0122	Bonded bush	4	Girling 64533645
21	99-0107	Spring retainer	4	Girling 9054/171
22	99-1048	Spring, 110 lbs. chrome	2	Girling 64543708
23	14-0235	Bolt, damper - top	2	
24	60-2331	Washer, damper - top	2	
25	14-1303	Nut, damper - top	2	
26	14-0234	Bolt, damper, lower	2	
27	60-2331	Washer damper lower	2	
28	14-1303	Nut damper lower	2	
29	83-2641	Chainguard	1	
30	60-2347	Washer, chainguard fixing - front	1	
31	14-0206	Bolt, chainguard fixing front	1	

32

33

34

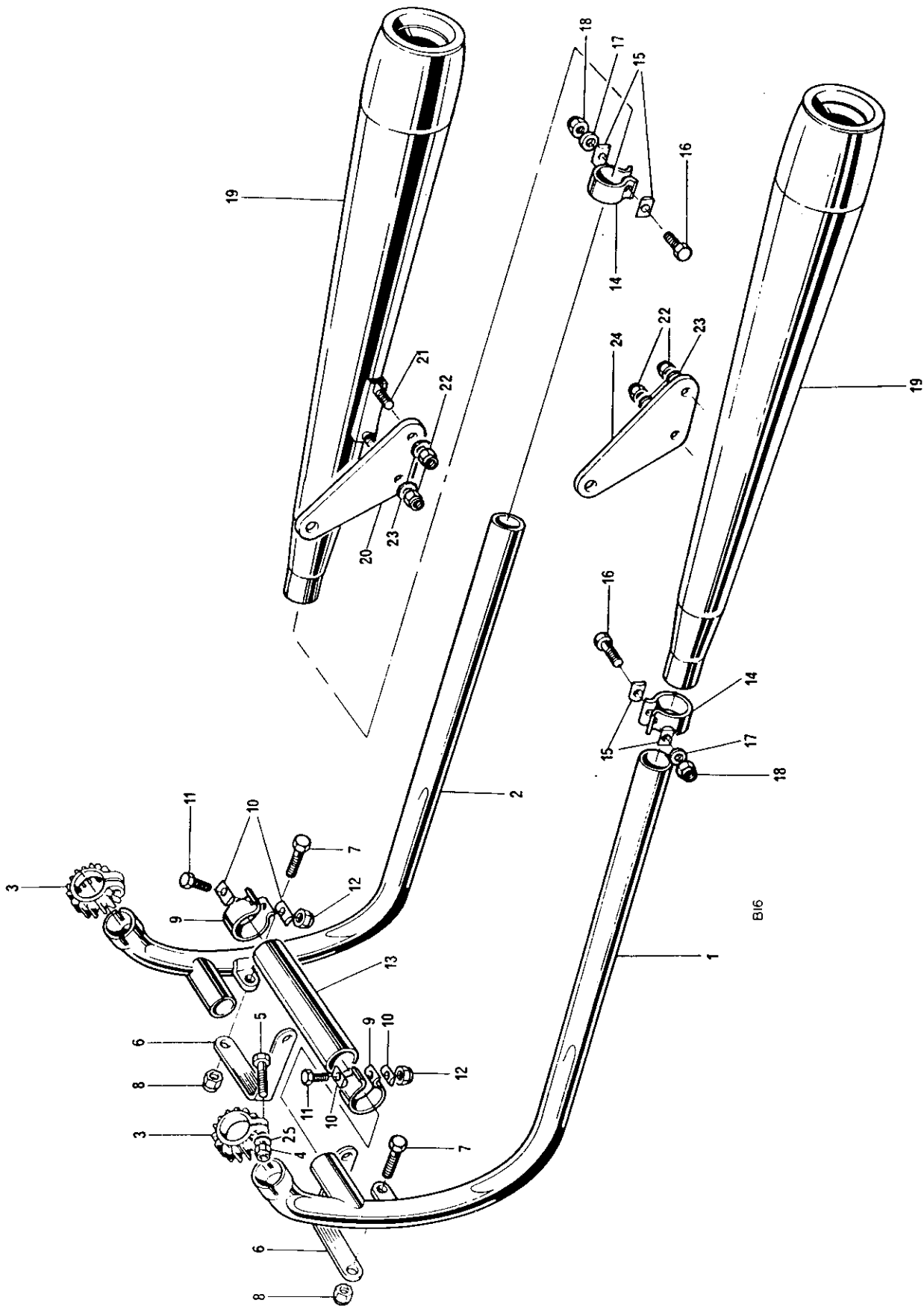


B15

FIG. 18. MOTOR UNIT FITTING AND FOOTRESTS

## MOTOR UNIT FITTINGS AND FOOTRESTS

Ref. No.	Part No.	Description	Quantity	Remarks
1	83-7040	Footrest - left and right	2	
2	14-0261	Footrest bolt, right	1	
3	14-0259	Footrest bolt, left	1	
4	60-2333	Washer	2	
5	82-9279	Footrest rubber (alternative 82-9630)	2	
6	83-7026	PILLION FOOTREST ASSEMBLY RIGHT	1	
7	83-7059	Pedal	2	
8	21-7001	Anchor bolt, left	1	
8	21-7002	Anchor bolt, right	1	
9	14-0216	Bolt	2	
10	82-9089	Washer	2	Footrest swivel
11	14-1302	Nut	2	
12	14-1303	Nut	2	Footrest to frame
13	82-2184	Washer	2	
14	82-9054	Footrest rubber	2	
15	83-7025	PILLION FOOTREST ASSEMBLY LEFT	1	
16	83-3602	Distance piece left footrest	1	
17	14-1305	Footrest bolt nut	2	
18	83-7011	Rear motor plate right	1	
19	83-7009	Rear motor plate left	1	
20	14-0115	Bolt	4	Rear motor plates to frame
21	14-0116	Bolt	1	
22	14-1302	Nut	5	
23	60-2330	Washer	9	
24	14-0220	Bolt	2	Motor to motor plates
25	14-0221	Bolt	2	
26	14-1302	Nut	4	
27	60-2321	Washer	8	
28	83-2846	Distance piece - left	1	Motor to frame centre bottom
29	83-2847	Distance piece - right	1	
30	21-2112	Bolt	1	
31	14-0304	Nut	1	Motor fixing front
32	60-4251	Washer	1	
33	60-2332	Washer	1	
34	83-2848	Distance piece - left	1	
35	83-2849	Distance piece - right	1	Motor fixing front
36	14-0254	Bolt	1	
37	14-1304	Nut	1	
38	60-2332	Washer	1	
39	83-3537	Steady bracket motor to frame	1	
40	14-0129	Bolt	1	Bracket to frame
41	83-3329	Distance piece	1	
42	60-2419	Washer	1	
43	83-4086	Attachment plate	1	



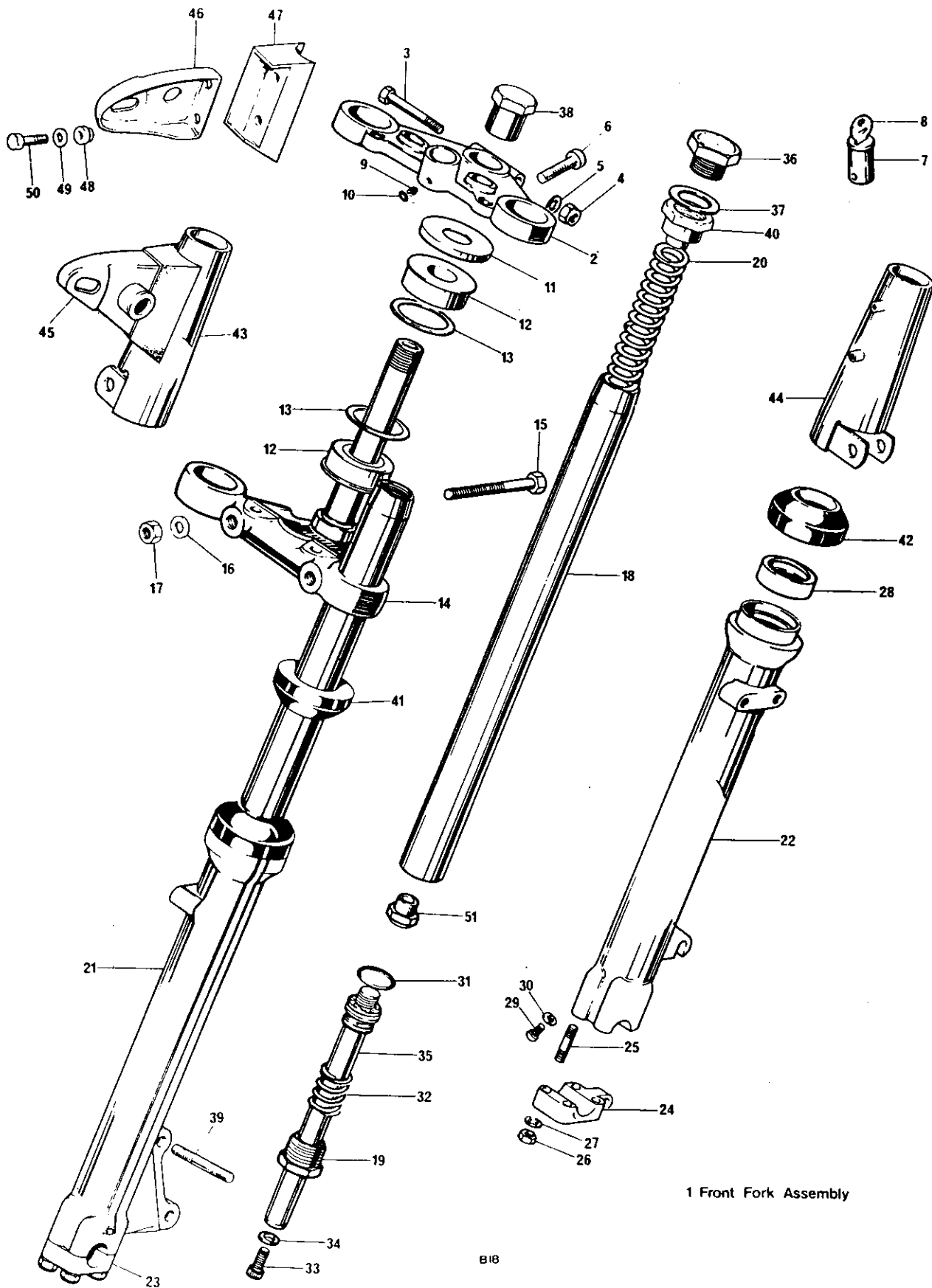
B16

Fig. 19. EXHAUST PIPES AND MUFFLERS



EXHAUST PIPES AND MUFFLERS, TR7RV, T140V

Ref. No.	Part No.	Description	Quantity	Remarks
1	71-3755	Exhaust pipe - left	1	
2	71-3758	Exhaust pipe - right	1	
3	71-2465	Finned clip	2	
4	21-7009	Nut	2	
5	21-2230	Screw	2	
6	70-6857	Exhaust pipe stay	2	
7	14-2205	Screw	2	
8	14-1201	Nut	2	
9	70-7512	Clip	2	
10	70-3768	'D' washer	4	Exhaust pipes to coupling pipe
11	14-0217	Bolt	2	
12	14-1202	Nut	2	
13	70-9888	Coupling pipe	1	
14	70-5874	Clip	2	
15	70-3768	'D' washer	4	Exhaust pipes to mufflers
16	14-0219	Bolt	2	
17	60-4247	Washer	2	
18	14-1202	Nut	2	
19	71-4159	Muffler	2	
20	83-7021	Hanger - muffler right	1	
21	14-0102	Bolt	4	Muffler to hanger
22	14-1201	Nut	4	
23	60-4248	Washer	4	
24	83-7022	Hanger muffler left	1	
25	60-2416	Washer	2	



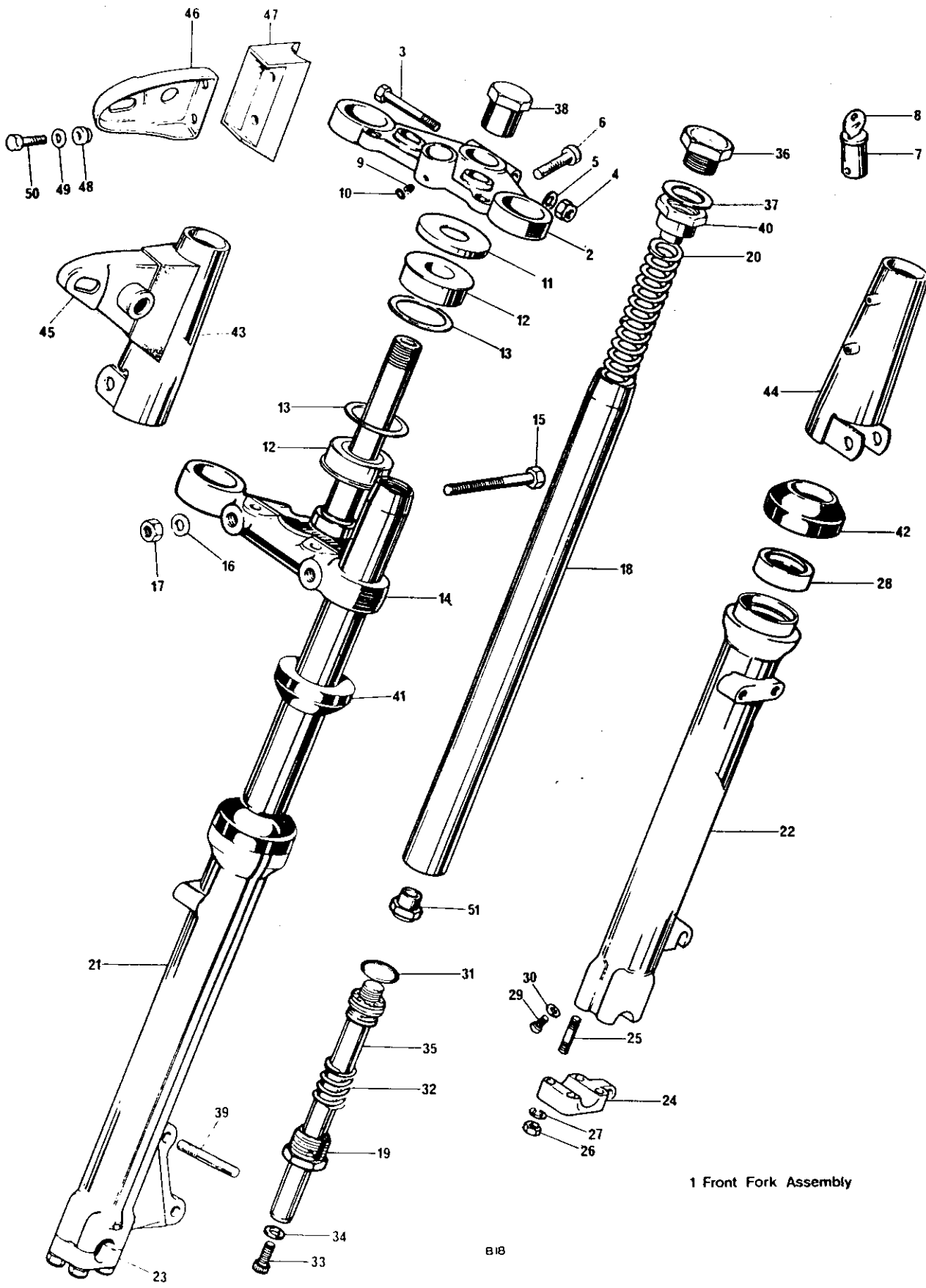
1 Front Fork Assembly

Fig. 20. TELESCOPIC FRONT FORK

B18

TELESCOPIC FRONT FORK

Ref. No.	Part No.	Description	Quantity	Remarks
1	97-4616	FORK ASSEMBLY	1	General
1	97-4396	FORK ASSEMBLY	1	U.S.A.
2	97-4381	Top Yoke	1	
3	14-0234	Pinch bolt	1	
4	14-1303	Nut	1	
5	60-2331	Washer	1	
6	14-1034	Cap screw	2	
7	82-6738	Lock c/w 2 keys	1	
8	60-0623	Key (state serial no.)	1	
9	21-0578	Grub screw	1	
10	97-2266	Sealing washer	1	
11	83-2007	Abutment ring	2	
12	97-4031	Taper roller bearing	2	
13	97-4028	Dust cover	2	
14	97-4385	Bottom yoke and stem	1	
15	14-0237	Pinch bolt, RIGHT	1	
15	97-4476	Eye bolt, LEFT	1	
16	82-2184	Washer	3	
17	14-1303	Nut	2	
18	97-4380	Stanchion	2	
19	97-4076	End plug	2	
20	97-4011	Main spring	2	
21	97-4399	OUTER MEMBER - LEFT	1	
22	97-4579	OUTER MEMBER - RIGHT	1	
23	97-4456	Cap, wheel spindle - left	1	
24	97-4457	Cap, wheel spindle - right	1	
25	21-2102	Stud	8	
26	14-0302	Nut	8	
27	60-2428	Washer	8	
28	97-4001	Oil seal	2	
29	97-3894	Drain plug	2	
30	97-3893	Washer	2	
31	97-4003	'O' ring	2	
32	97-4009	Recoil spring	2	
33	14-1019	Cap screw	2	
34	97-4004	Cap screw seal	2	
35	97-4325	Damper tube and valve assembly	2	
36	97-4395	Cap screw	2	
37	97-4166	Washer	2	
38	97-4317	Steering stem nut	1	
39	21-2189	Stud, caliper to outer member	2	
40	97-4387	Top nut	2	
41	97-4461	Rubber ring, outer cover	2	
42	97-4002	Scraper sleeve	2	



1 Front Fork Assembly

B18

Fig. 20. TELESCOPIC FRONT FORK

TELESCOPIC FRONT FORK (continued)

Ref. No.	Part No.	Description	Quantity	Remarks
43	97-4480	Outer cover - left	1	
44	97-4481	Outer cover - right	1	
45	97-4121	Headlamp bracket - left	1	
46	97-4203	Headlamp bracket - right	1	
47	97-2208	Rubber mounting	2	
48	97-2209	Rubber buffer	4	
49	97-2210	Backing washer	4	
50	21-2095	Attachment bolt	4	
Not illus.	82-6784	Grommet, throttle cable	1	
51	97-4012	Nut, damper valve	1	

ALTERNATIVE FITMENTS (NOT U.S.A.)

97-1510	Gaiter - fork outer cover	2
97-4406	Outer cover - left	1
97-4407	Outer cover - right	1

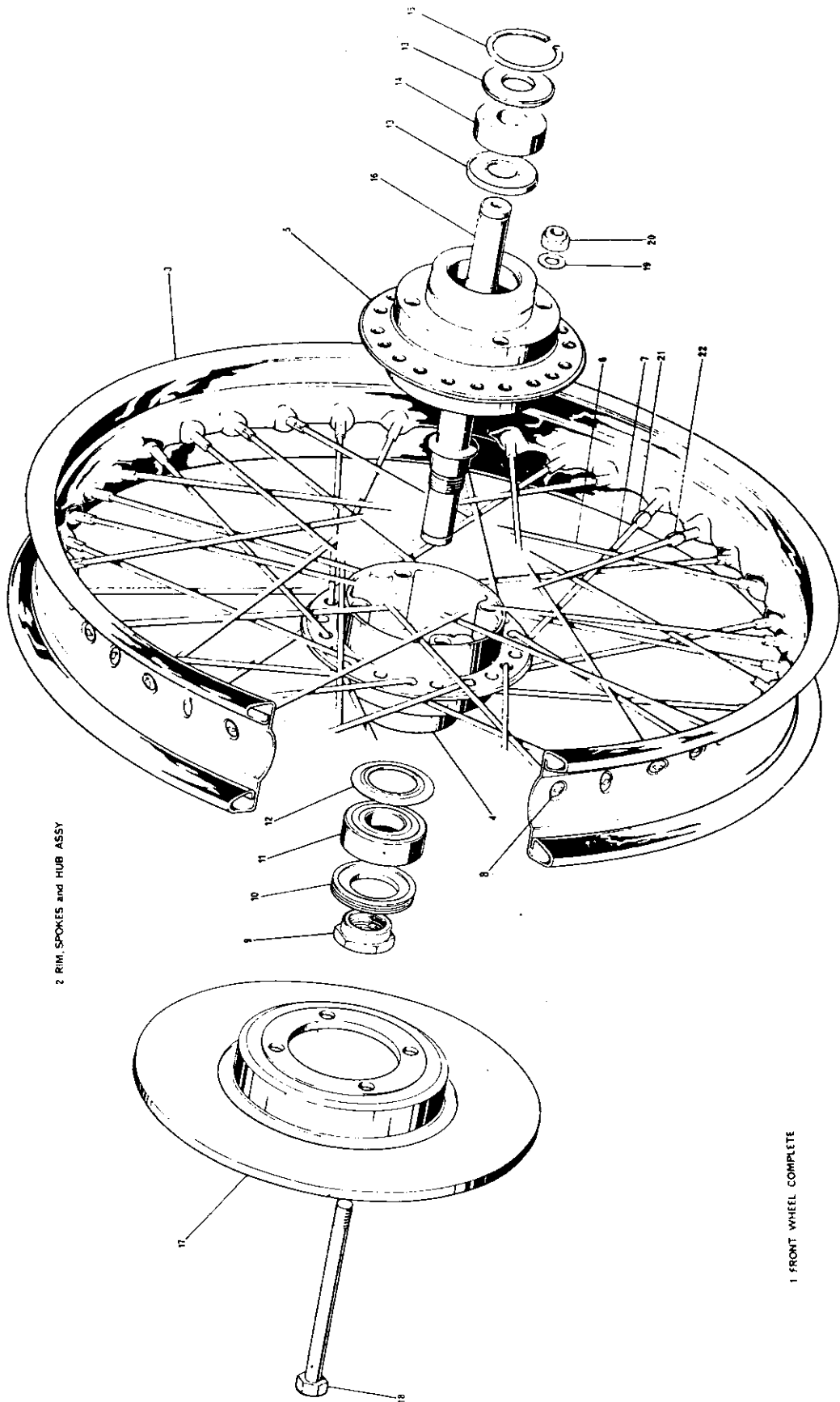


Fig. 22 FRONT WHEEL

FRONT WHEEL

Ref. No.	Part No.	Description	Quantity	Remarks
1	37-4141	FRONT WHEEL COMPLETE	1	
2	37-4143	RIM, SPOKES AND HUB ASSEMBLY	1	
3	37-4129	Rim	1	
4	37-4126	Hub - left half	1	
5	37-4127	Hub - right half	1	
6	37-4131	Spoke - outer	20	
7	37-4130	Spoke - inner	20	
8	37-2294	Spoke nipple	40	
9	37-4133	Nut, wheel spindle	1	
10	37-4134	Lock ring - left	1	
11	57-1070	Bearing - left (metric 125)	1	
12	37-4135	Grease retainer - left	1	
13	37-1237	Dust cover - right	2	
14	37-0653	Bearing - right (metric 120)	1	
15	57-0280	Circlip - right	1	
16	37-4132	Spindle	1	
17	37-4275	Disc	1	
18	21-2207	Bolt	4	} Disc to hub
19	70-8770	Washer	4	
20	14-1903	Nut	4	
21	37-3969	Balance weight		As reqd.
22	37-3970	Balance weight		As reqd.

REF. 1 MASTER CYLINDER COMPLETE

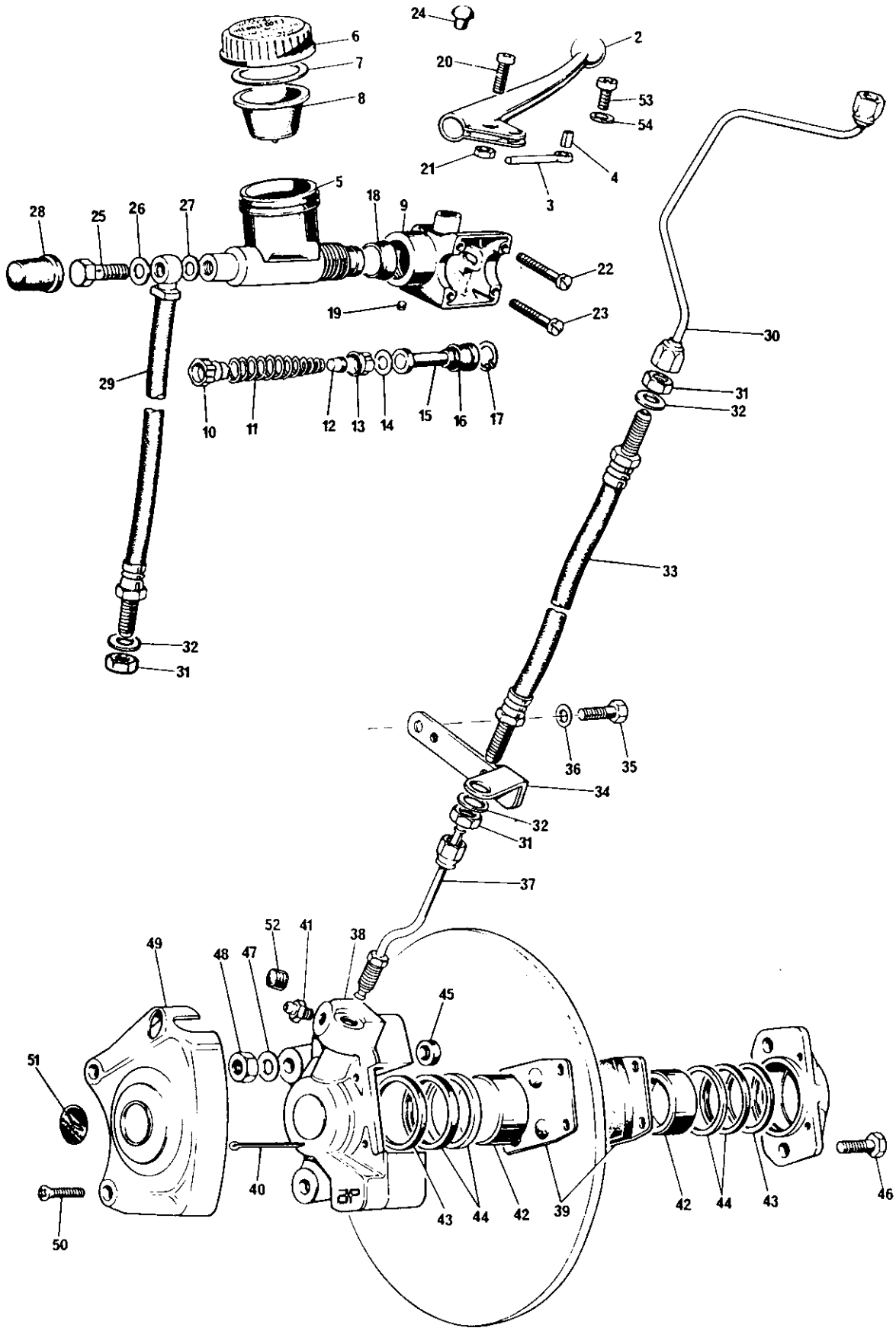


Fig. 23. FRONT BRAKE



FRONT BRAKE

Ref. No.	NVT Part No.	Makers Part No.	Description	Quantity	Remarks
1	60-4102	4222-979	MASTER CYLINDER	1	
2	60-4206	-	Brake lever assembly	1	
3	AP.LTD	3761-270	Piston	1	
4	AP.LTD	3528-441	Spiral pin	1	
5	99-2770	4221-072	Barrel and tank assembly	1	
6	60-4365	3847-240	Cap	1	
7	60-4328	-	Washer	1	
8	60-4366	3818-747	Diaphragm	1	
9	99-2753	3338-901	Switch housing	1	
10	99-2754	4312-318	Trap valve	1	
11	99-2755	3118-234	Spring	1	
12	99-2756	3675-216	Spring retainer	1	
13	99-2757	3842-424	Primary cup	1	
14	99-2758	106418	Piston washer	1	
15	99-2759	3261-542	Piston	1	
16	99-2760	3871-473	Secondary cup	1	
17	99-2761	K29103	Circlip	1	
18	99-2762	3811-420	Rubber boot	1	
19	99-2763	3476-209	Grub screw	1	
20	21-2191	-	Pivot screw	1	
21	14-1201	-	Nut	1	
22	21-2192	-	Screw, short	2	
23	21-2194	-	Screw, long	2	
24	70-7573	-	Plug	1	
25	60-4183	AP40320	Banjo bolt	1	
26	60-4182	KL44516	Sealing washer	1	
27	60-4184	KL44518	Sealing washer	1	
28	60-4186	AP3187/810	Rubber boot	1	
29	60-4176	KL58505	Hose, master cylinder/top yoke	1	For high handlebar
29	60-4619	KL563	Hose, master cylinder/top yoke	1	For low handlebar
30	60-4179	ZT2071N	Pipe, top yoke/bottom yoke	1	
31	60-4180	K24103	Locknut	3	
32	70-2288	-	Washer	3	
33	60-4175	KL56612	Hose, bottom yoke/fork leg	1	
34	83-7064		Bracket - pipe support	1	
35	14-0103		Bolt	2	Bracket to fork leg and bridge piece
36	60-2427		Washer	2	
37	60-4178	ZTA2070N	Pipe, fork leg /caliper	1	
38	60-4101	4823-432	CALIPER	1	
39	AP.LTD	4741-570	Brake pad	2	Order kit, Part No. 99-2769
40	AP.LTD	K19866TP	Retaining pin	2	
41	AP.LTD	3468-229	Bleed nipple	1	
42	99-2765	3275-428	Piston	2	
43	99-2766	96498	Fluid seal	2	
44	99-2767	SSB72075	Retainer	2	
45	19-6901	102799	Fluid seal	2	
46	AP.LTD	3437-307	Bolt, caliper halves	2	

REF. 1 MASTER CYLINDER COMPLETE

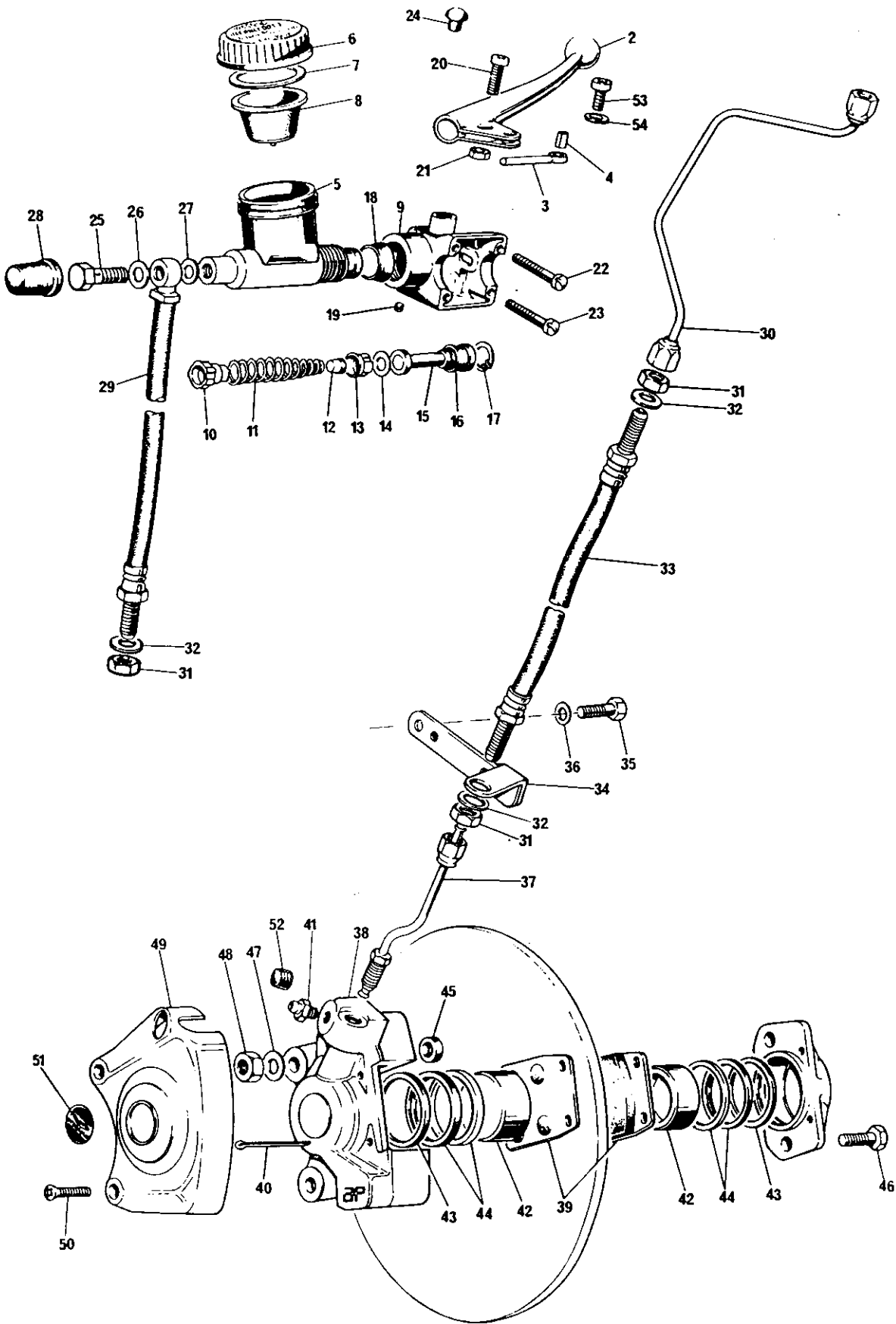
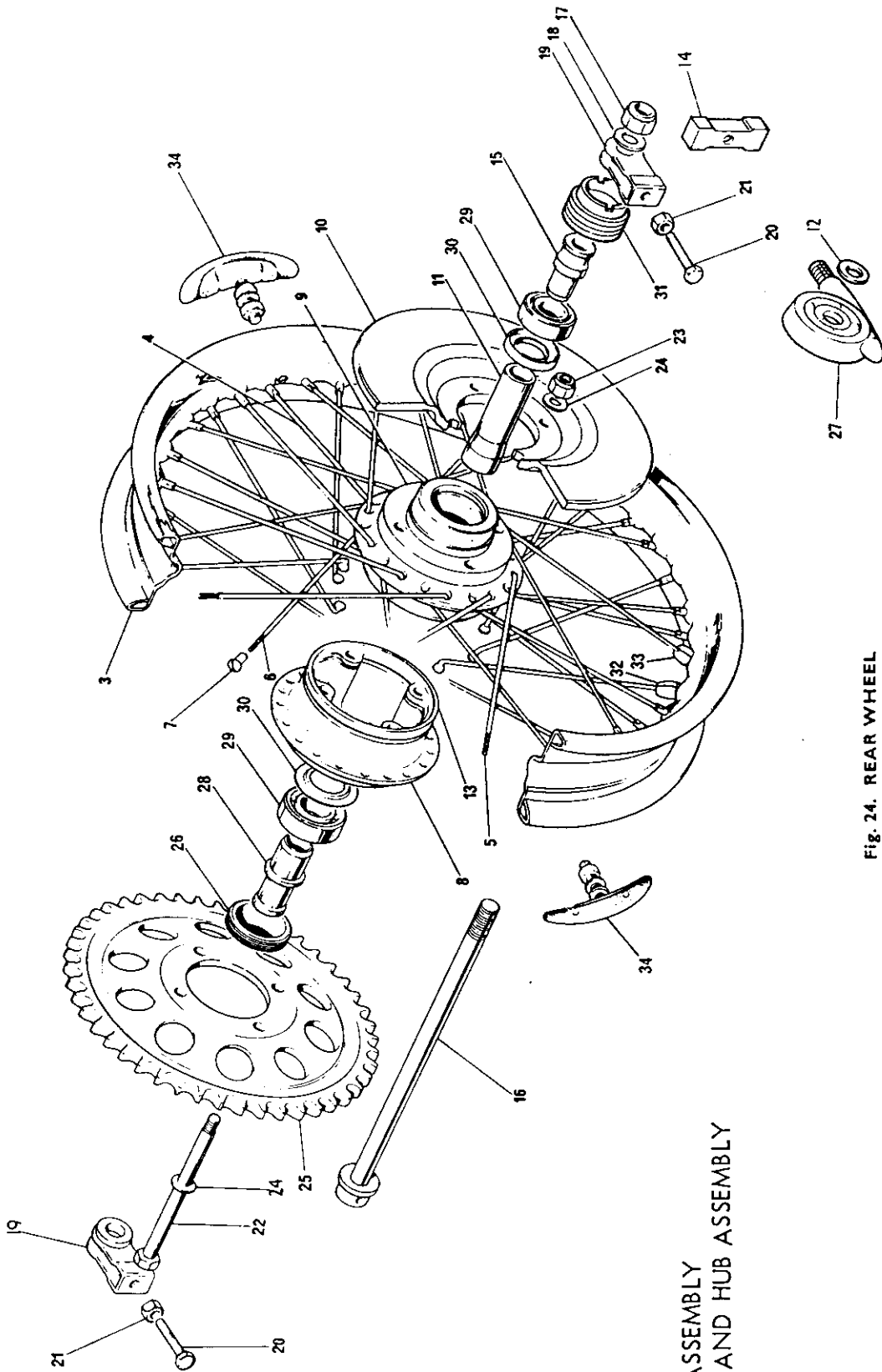


Fig. 23. FRONT BRAKE

Ref. No.	NVT Part No.	Makers Part No.	Description	Quantity	Remarks
47	60-2331	-	Washer	2	} Caliper to outer member
48	14-1303	-	Nut	2	
49	37-4263	-	Cover, caliper	1	
50	21-2196	-	Screw, cover attachment	2	
51	60-4156	-	Decal, caliper cover	1	
52	60-4266	363-400	Cover, bleed nipple	1	} Girling part
53	21-1998	-	Screw, stop switch to lever body	1	
54	21-7008	-	Washer, for screw	1	



REF. 1 REAR WHEEL ASSEMBLY  
 REF. 2 RIM, SPOKES AND HUB ASSEMBLY

Fig. 24. REAR WHEEL

## REAR WHEEL

Ref. No.	Part No.	Description	Quantity	Remarks
1	37-7019	REAR WHEEL ASSEMBLY	1	
2	37-7017	RIM, SPOKES AND HUB ASSEMBLY	1	
3	37-7018	Rim - W.M.3 - 19	1	
4	37-7009	Spoke, inner - right and left	20	
5	37-7007	Spoke, outer - right	10	
6	37-7008	Spoke, outer - left	10	
7	37-2294	Nipple	40	
8	37-7001	Hub - left half	1	
9	37-7002	Hub - right half	1	
10	37-4275	Disc	1	
11	37-7005	Spacer tube - bearings	1	
12	37-7021 *	Washer - speedometer drive gearbox	1	* Used only with
13	37-7010	Centre spacer- rear hub	1	latest caliper plate
14	83-3082	Cover plate - fork end	2	37-7020
15	37-7003	Spacer, - right bearing	1	
16	37-3965	Spindle	1	
17	14-1307	Nut - wheel spindle (5/8" UNF self locking)	1	
18	83-2266	Washer - wheel spindle nut (.656"-1.000"-.092")	1	
19	37-3742	Adjuster - chain	2	
20	14-0107	Screw - chain adjuster (1/4" UNF x 1 1/2" UH)	2	
21	14.0301	Nut - chain adjuster screw (1/4" UNF)	2	
22	21-7005	Bolt - disc to sprocket	4	
23	14-1903	Nut - disc/sprocket bolt (3/8" UNF self locking)	4	
24	70-8770	Washer - disc/sprocket nut (.390"-.625"-.064")	8	
25	37.7016	Sprocket - rear wheel 47T	1	
26	37-4134	Lock ring - left bearing	1	
27	60-3213	Speedometer drive unit	1	
28	37-7006	Spacer - left bearing	1	
29	57-1070	Bearing - left and right	2	
30	37-4135	Grease retainer	2	
31	37-7004	Driving ring - speedometer unit	1	
32	37-3969	Balance weight - short	As required	
33	37-3970	Balance weight - long	As required	
34	37-3468	Security bolt	2	

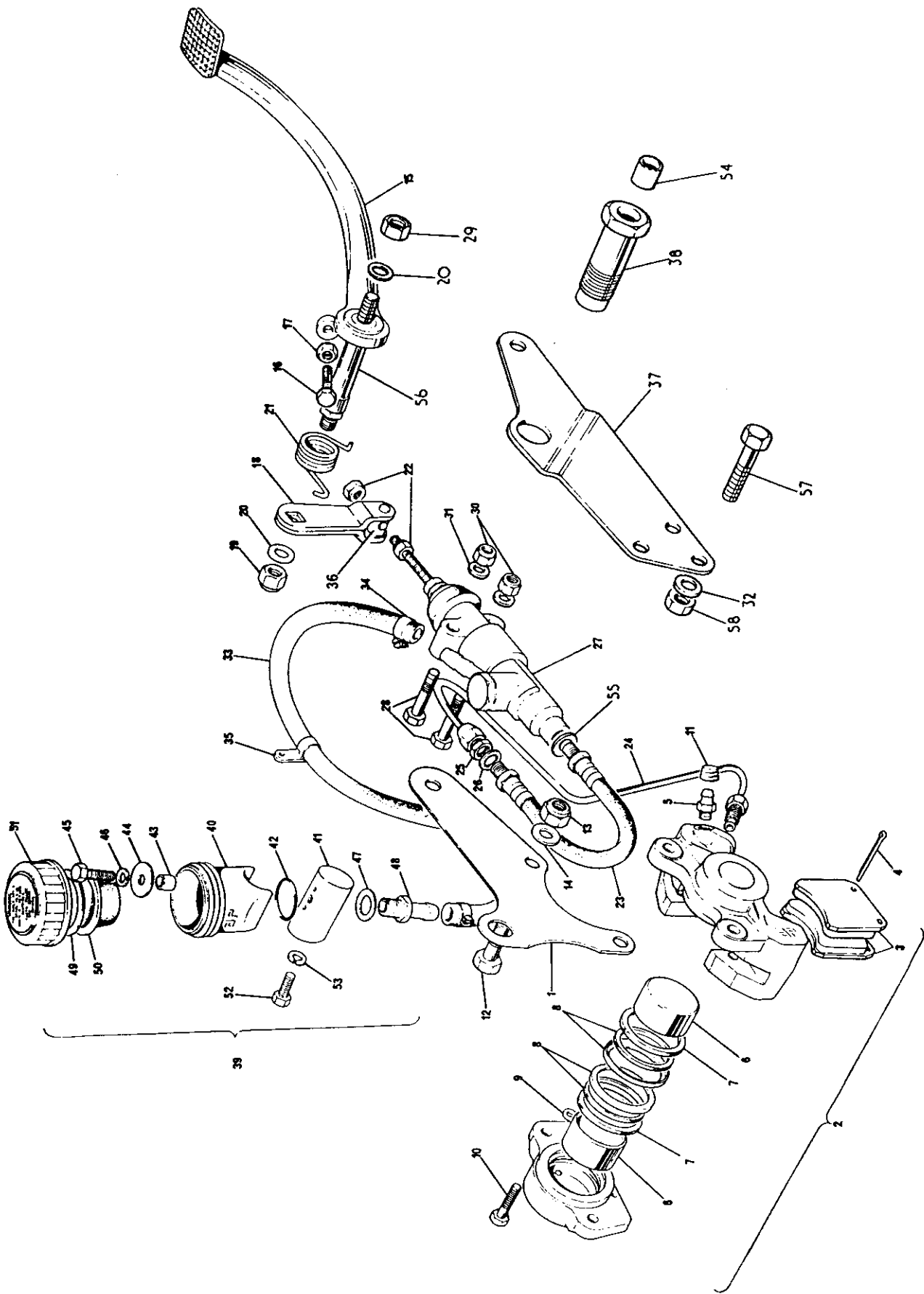


Fig. 25. REAR BRAKE

### REAR BRAKE

Ref. No.	NVT Part No.	Makers Part No.	Description	Quantity	Remarks
1	37-7020	-	Rear caliper mounting plate	1	Replaces 37-7014. Order kit 00-4409 when servicing earlier machines
2	60-4101	4823-432	CALIPER	1	} Order kit Part No. 99-2769
3	AP.LTD	4741-570	Brake pad	2	
4	AP.LTD	K19866TP	Retaining pin	2	
5	AP.LTD	28696	Bleed nipple	1	
6	9912765	3275-428	Piston	2	
7	99-2766	96498	Fluid seal	2	
8	99-2767	SSB72075	Retainer	2	
9	19-6901	102799	Fluid seal	1	
10	AP.LTD	3437-307	Bolt	2	
11	60-4266	363400	Cover, bleed nipple	1	GIRLING PART
12	14-0232	-	Bolt, caliper to mounting	2	
13	14-1203	-	Nut, caliper to mounting plate bolt	2	
14	82-2184	-	Washer, for nut	2	
15	83-7044	-	Brake pedal	1	
16	14-0103	-	Screw, adjuster - stop light	1	1/4" UNF x 3/8" U.H.
17	14-0301	-	Nut, adjuster screw	1	1/4" UNF
18	83-7003	-	Trunnion lever	1	
19	14-1303	-	Nut - brake pedal spindle, inner	1	
20	60-2331	-	Washer, for nut	2	
21	83-7016	-	Return spring, brake pedal	1	
22	21-7006	-	Adjuster nut, push rod	2	5/16" UNF shouldered
23	60-7028	-	Hose, master cylinder to pipe	1	
24	60-7007	ZTA2281	Pipe, hose to caliper	1	
25	60-4180	K24103	Nut, hose to bracket	1	
26	70-2288	K19407	Serrated washer, hose to bracket	1	
27	60-4401	4211-127	MASTER CYLINDER COMPLETE	1	
28	21-7007	-	Bolt, master cylinder fixing	2	
29	14-1903	-	Nut, brake pedal spindle, outer	1	
30	14-1302	-	Nut, cylinder to frame bolt	2	5/16" UNF self locking
31	60-2330	-	Washer for nut	2	
32	60-2330	-	Washer for master cylinder fixing, rear	1	
33	60-4409	9206-2050	Hose, reservoir to master cylinder	1	
34	60-7030	-	Clip, hose	2	
35	83-7049	-	Clip, hose	1	
36	83-7024	-	Trunnion	1	
37	83-7018	-	Mounting plate, master cylinder	1	
38	83-7053	-	Pivot bolt assembly with bushes	1	
39	83-5465	-	Reservoir assembly	1	
40	60-4397	3251/796	Body, reservoir	1	

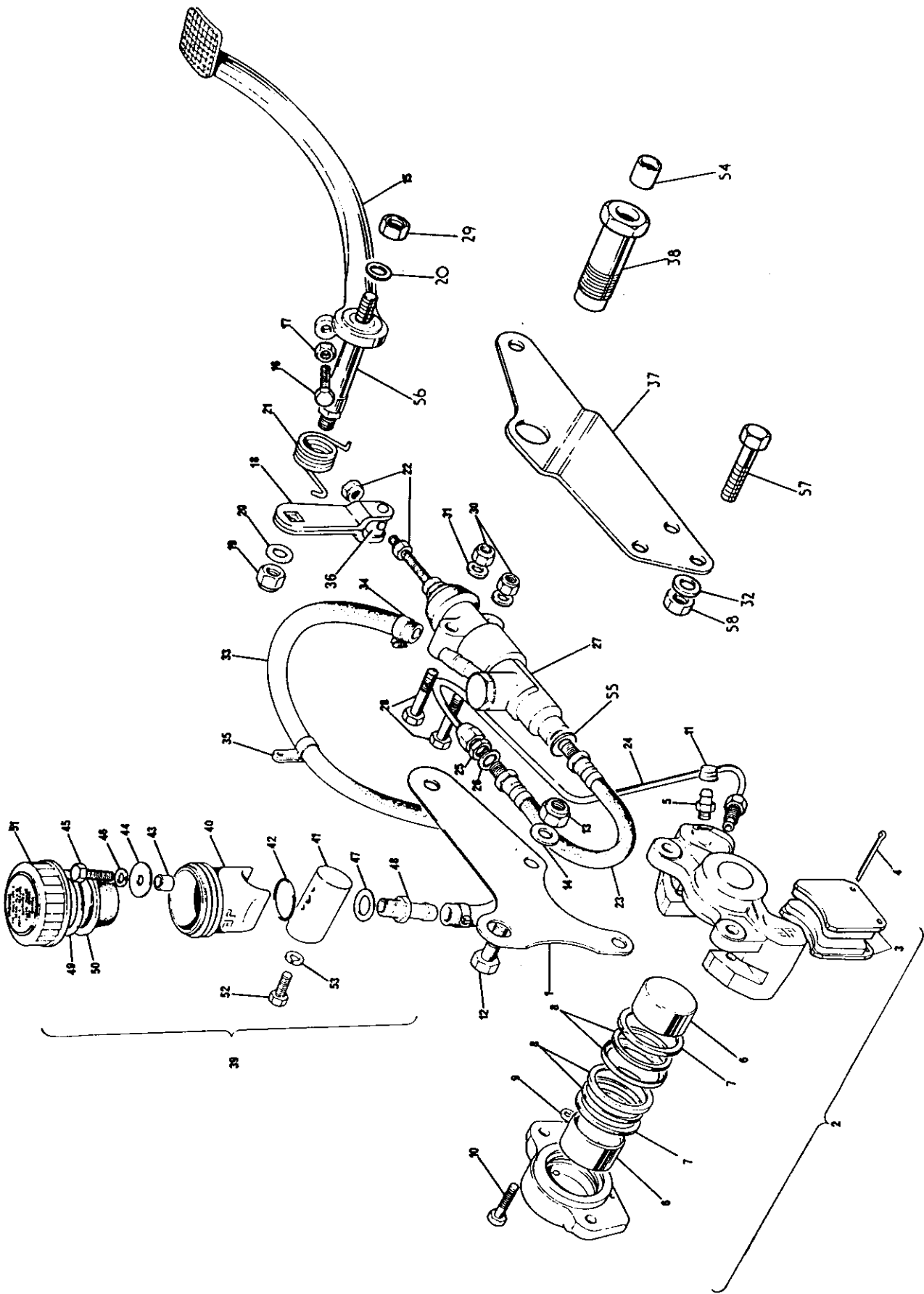


Fig. 25. REAR BRAKE



REAR BRAKE (continued).

Ref. No.	NVT Part No.	Makers Part No.	Description	Quantity	Remarks
41	83-7056	-	Mounting, reservoir	1	
42	60-4374	3855/814	'O' ring	1	
43	60-4398	3517/221	Distance piece	1	
44	60-4399	3512/305	Washer	1	
45	14-0102	-	Bolt, body to mounting	1	1/4" UNF x 5/8" UH
46	60-2427	-	Spring washer for bolt	1	
47	60-7016	-	Sealing washer	1	
48	83-7055	-	Outlet stub, feed hose	1	
49	60-4328	-	Washer, paper	1	
50	60-4366	3818-747	Diaphragm	1	
51	60-4365	3847-240	Filler cap	1	
52	14-0101	-	Bolt, mounting to coil tray	1	1/4" UNF x 5/8" UH
53	60-2427	-	Washer, for bolt	1	
54	83-7054	-	Pivot bolt bush	2	
55	60-4182	-	Copper gasket	1	
56	83-7046	-	Spindle, rear brake pedal	1	
57	14-0114	-	Bolt, master cylinder/plate fixing rear	1	
58	14-1302	-	Nut for bolt	1	

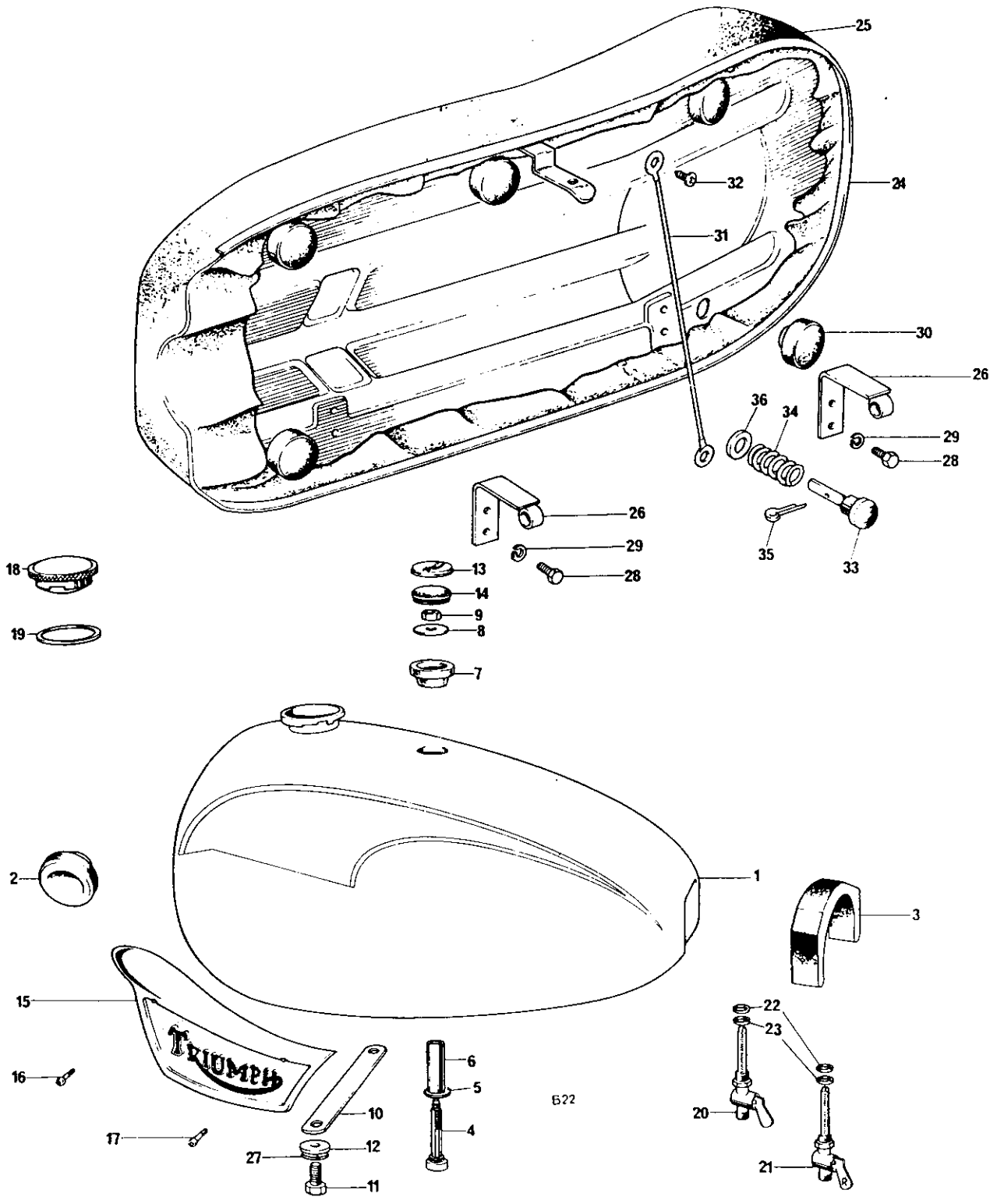


Fig. 25 GAS TANKS AND TWINSEAT

## GAS TANK AND TWINSEAT

Ref. No.	Part No.	Description	Quantity	Remarks
1	83-5413	Gas tank (3.6 U.S. galls.)	1	T140V
1	83-5414	Gas tank (3.6 U.S. galls.)	1	TR7RV
2	83-4931	Steady rubber	2	
3	83-4932	Mounting rubber	2	
4	83-4930	Centre fixing bolt	1	
5	60-2320	Washer	1	
6	82-9063	Distance tube	1	
7	83-4934	Mounting rubber	1	
8	83-3814	Washer	1	
9	14-0302	Nut	1	
10	83-4395	Tie strap	1	
11	14-0113	Bolt	2	
12	60-2321	Washer	2	
13	83-4776	Badge - tank grommet	1	
14	83-4763	Grommet	1	
15	82-9700	Tank motif - right	1	
15	82-9701	Tank motif - left	1	
16	83-1339	Screw - front - tank motif	2	
17	82-7888	Screw - rear - tank motif	2	
18	83-3875	Filler cap	1	
19	82-4048	Joint washer	1	
20	60-4511	Gas tap - main	1	
21	60-4512	Gas tap-reserve	1	
22	70-7351	Tap seal	2	
23	83-0002	Washer	2	
24	83-7065	Twinseat	1	
25	83-7066	Twinseat cover	1	
26	83-4782	Hinge - front and rear	2	
27	60-2428	Spring washer	2	
28	14-0101	Bolt	4	Hinge attachment
29	60-2417	Washer		
30	82-9093	Rubber buffer	4	
31	60-2087	Check wire	1	
32	60-2381	Screw - self tapping	1	
33	82-7560	Seat plunger and knob	1	
34	82-4228	Spring	1	
35	60-2720	Split pin (3/32 in. x 1/2 in.)		Reference only
36	71-3749	Washer	1	

### ALTERNATIVE FITMENTS

* 83-7063	Petrol tank (4 imp galls) blue	1	T140V
* 83-7062	Petrol tank (4 imp galls.) POLY RED		
* 83-7061	Petrol tank (4 imp galls.) SEA JADE	1	TR7RV
83-4933	Mounting rubber	1	
21-2064	Screw - tank badge	4	
60-2569	Tank badge	2	
83-4355	Knee grip - left	1	
83-4356	Knee grip - right	1	
83-4118	Tie strap	1	

\*THESE TANKS REPLACE PREVIOUS 4 GALL. TYPE. WHEN FITTING TO PRE 1977 T140 MACHINES, USE PETROL PIPE PART NUMBER 83-6209. TR7 PETROL PIPE IS UNCHANGED.

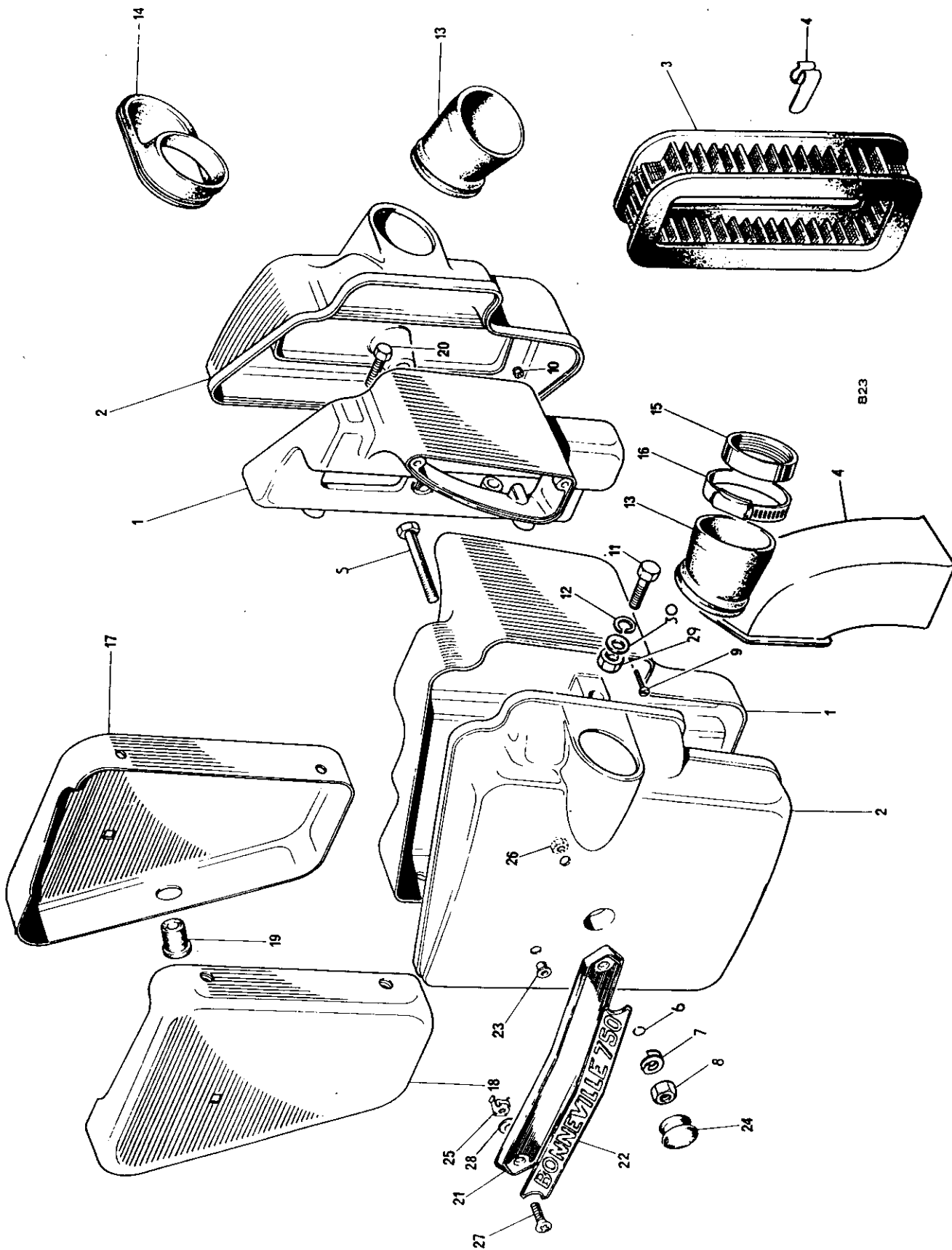


FIG. 26 AIR CLEANERS AND SIDE PANELS

## AIR CLEANER AND SIDE PANELS

Ref. No.	Part No.	Description	Quantity	Remarks
1	83-4606	Body - left	1	Twin Carb T140V
1	83-4607	Body - right	1	
2	83-7067	Cover - left	1	Single Carb TR7RV
2	83-7068	Cover - right	1	
1	83-4845	Body - left	1	Single Carb TR7RV
1	83-4609	Body - right	1	
2	83-4807	Cover - left	1	All models
2	83-4808	Cover - right	1	
3	60-4265	Element	2	All models
4	83-5448	Air intake tube, left	1	
4	83-5449	Air intake tube, right	1	
5	14-0221	Bolt	2	
6	83-7057	Circlip	2	
7	60-2438	Washer	2	
8	14-0302	Nut	2	
9	60-3539	Screw	2	
10	21-0501	Nut	2	
11	14-0218	Bolt	2	
12	83-4299	Plain washer	4	
13	71-7019	Connector pipe	2	Air cleaner to frame
14	83-5161	Connector pipe	1	
15	71-1860	Carburetor adaptor	1	TR7RV
16	60-3975	Clip	1	TR7RV
16	71-7018	Clip	2	T140V
17	83-4854	Side panel - left	1	
18	83-4803	Side panel - right	1	
19	82-6673	Panel grommet	2	
20	14-0102	Bolt	4	
21	60-4150	Name plate	2	
22	60-4384	Motif "Tiger 750"	2	TR7RV
22	60-4385	Motif "Bonneville 750"	2	T140V
23	60-4153	Rubber bush	2	
24	60-4152	Rubber plug	2	
25	60-4154	'Spire' nut	2	Name plate attachment
26	82-4717	Nut	2	
27	82-4129	Screw (rear)	2	
27	83-7058	Screw (front)	2	
28	97-1388	Washer (under motif, front)	2	
29	14-1302	Nut	2	
30	60-2321	Plain washer	2	

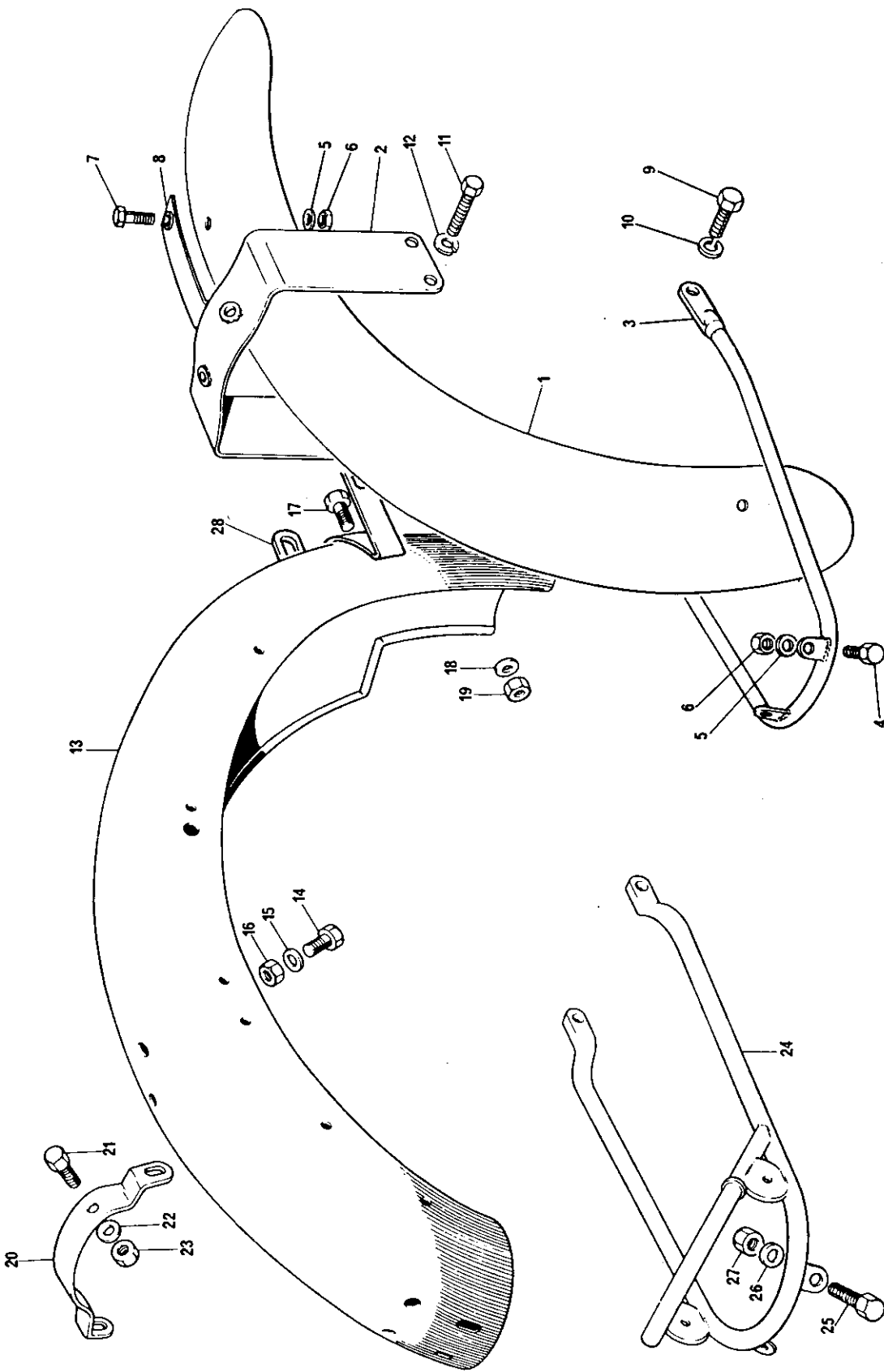


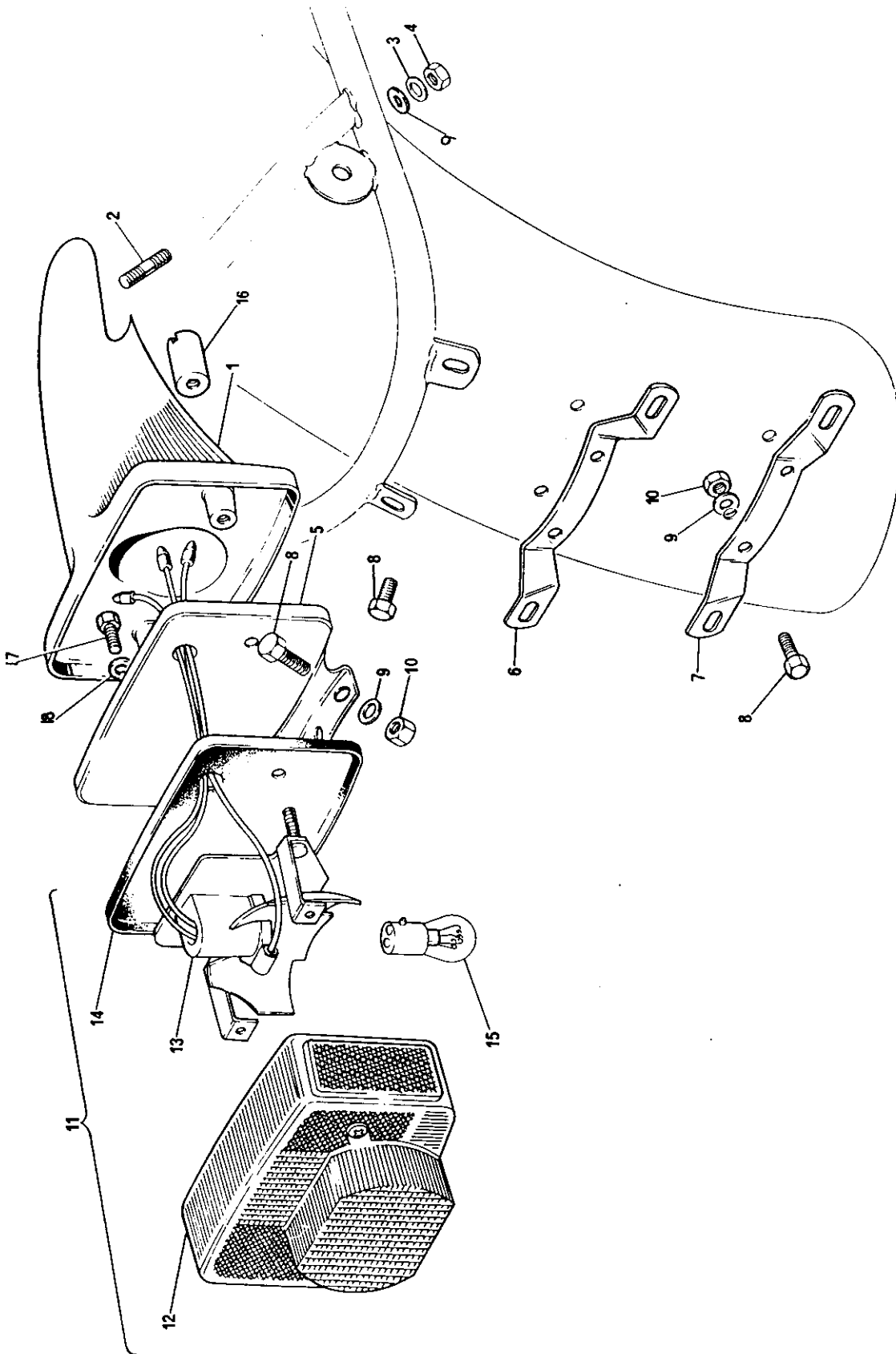
Fig. 27. FENDERS AND TAIL LAMP

F E N D E R S

Ref. No.	Part No.	Description	Quantity	Remarks
1	97-7003	Front fender	1	
2	97-7004	Bridge piece assembly	1	
3	97-4552	Rear stay	1	
4	14-0101	Bolt, rear stay to blade	2	
5	60-4245	Washer	5	
6	14-1201	Nut	5	
7	14-2205	Screw, bridge piece to blade	3	
8	71-2501	Fibre washer	3	
9	14-6114	Bolt, stay to spindle cap	2	
10	60-2428	Washer	2	
11	14-0103	Bolt, bridge piece to fork leg	2	
12	60-2427	Washer	2	
13	83-7031	Rear fender	1	
14	14-0101	Bolt	2	Fender top fixing
15	60-2329	Washer	2	
16	14-1301	Nut	2	
17	14-0114	Bolt	2	Fender front fixing
18	60-2330	Washer	2	
19	14-1302	Nut	2	
20	83-4600	Bridge - rear fender	1	
21	14-0102	Bolt	2	Bridge to fender
22	60-2329	Washer	2	
23	14-1301	Nut	2	
24	83-5145	Grab rail	1	
25	14-0102	Bolt	2	Grab rail to fender
26	60-2329	Washer	2	
27	14-1301	Nut	2	
28	83-2796	Lower front bracket	1	

A L T E R N A T I V E F I T M E N T S

83-2726	Rear number plate	1	
14-0101	Bolt	4	Number plate attachment
60-2329	Washer	4	
14-1301	Nut	4	



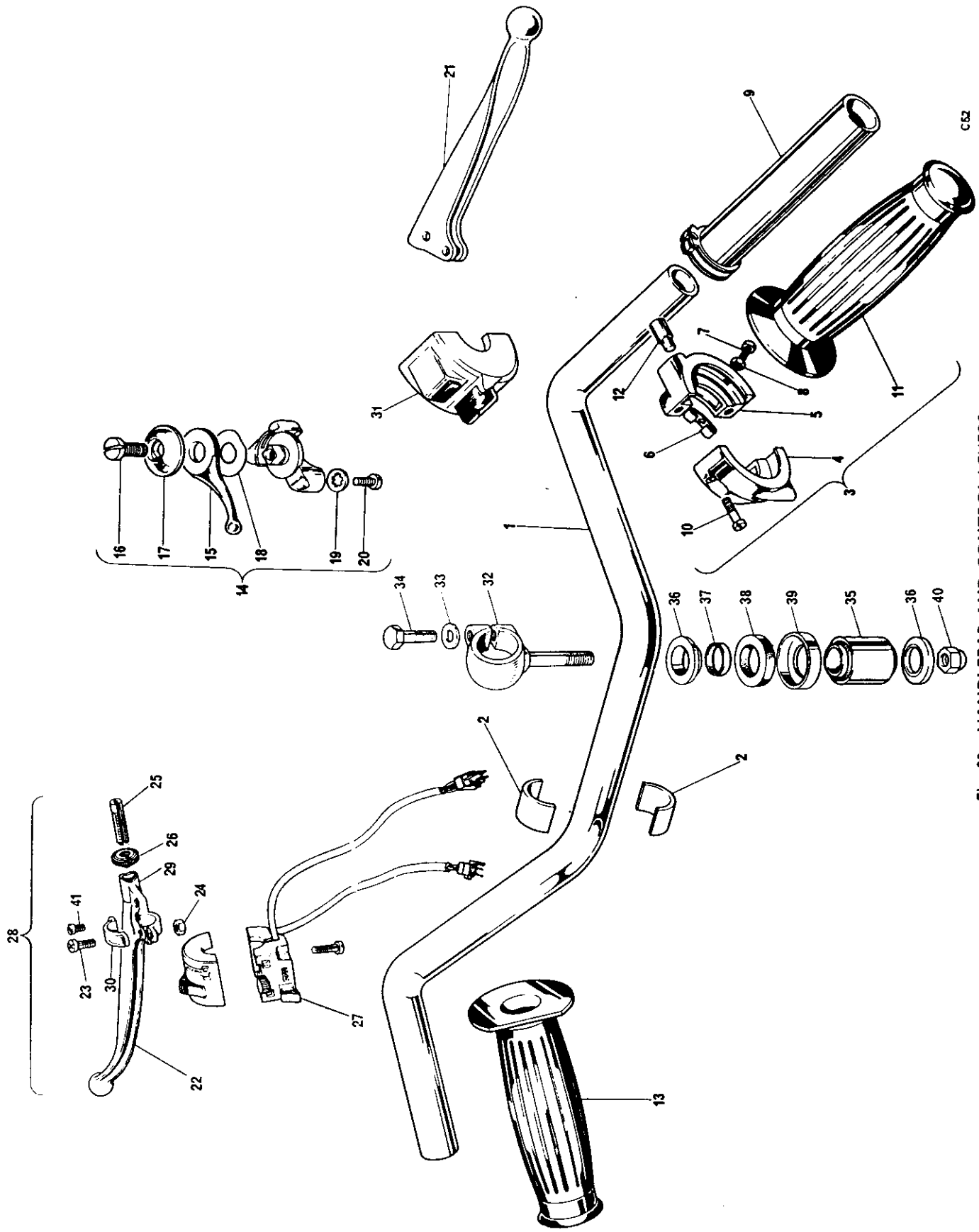
C-50

Fig. 28. TAIL LAMP AND SUPPORT



## TAIL LAMP AND SUPPORT

Ref. No.	NVT Part No.	Makers Part No.	Description	Quantity	Remarks
1	83-4774	-	Tail lamp carrier	1	Tail lamp support to fender
2	21-2225	-	Stud	1	
3	60-4250	-	Washer	1	
4	14-0301	-	Nut	1	
5	83-5001	-	Support plate	1	
6	83-4784	-	Rear No. plate bracket - top	1	No. plate brackets and support plate to fender
7	82-6850	-	Rear No. plate bracket - bottom	1	
8	14-0102	-	Bolt	4	
9	60-2329	-	Washer	5	
10	14-1301	-	Nut	4	
11	06-8029	56515	STOP TAIL LAMP	1	
12	06-8058	54585314	Lens	1	
13	Lucas	54584931	Base assembly	1	
14	Lucas	54583924	Gasket	1	
15	99-0542	380	Bulb	1	
16	83-4800	-	Sleeve nut, lamp to back plate	2	
17	14-7804	-	Screw support plate to carrier	1	
18	70-1612	-	Serrated washer	1	
	83-4806	-	Wiring protector	1	Not illustrated
	60-4103	-	Grommet, flasher wire	1	
	60-3748	-	Decal '5 speed'	1	
	83-5105	-	'U' grommet, lamp carrier	2	
	97-0961	-	Grommet, mudguard for wiring	2	
	60-4440	-	Grommet, flasher wires	2	



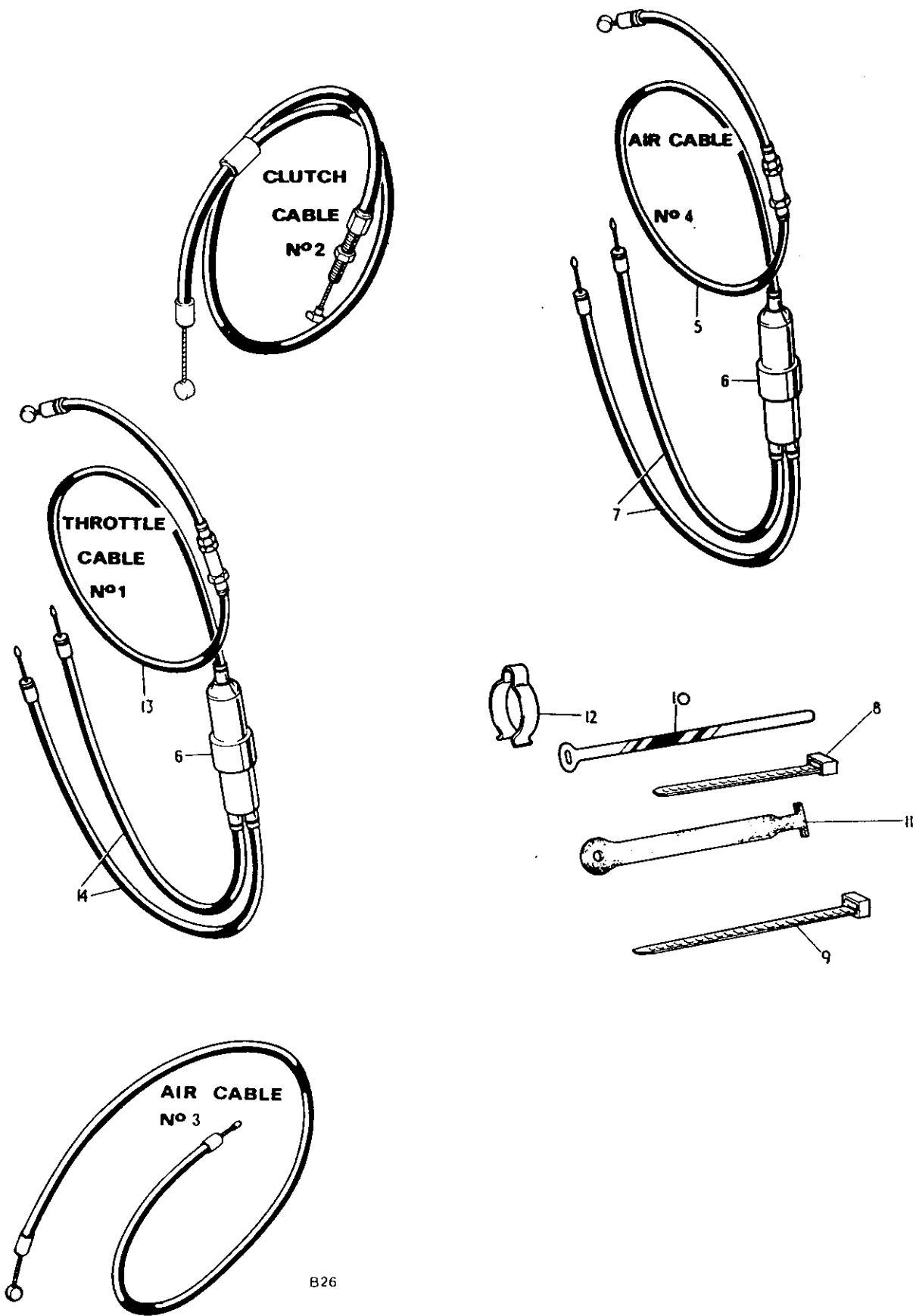
C62

Fig. 29. HANDLEBAR AND CONTROL LEVERS

## HANDLEBARS AND CONTROL LEVERS

Ref. No.	NVT Part No.	Makers Part No.	Description	Quantity	Remarks
1	97-7001	-	Handlebar	1	USA specification
1	97-7002	-	Handlebar	1	UK and General
2	97-1425	-	Sleeve, handlebar mounting	4	
3	99-0248	364/16	TWIST GRIP	1	TR7RV
3	60-7014	364/18	TWIST GRIP	1	T140V
4	Amal	16/328	Body, top half	1	
5	Amal	16/329	Body, bottom half	1	
6	Amal	16/008	Friction spring	1	
7	Amal	16/009	Screw	1	
8	Amal	16/010	Locknut	1	
9	Amal	-	Rotor	1	
10	99-0225	11/013	Screw	2	
11	97-2125	-	Grip, right hand	1	
12	99-0241	16/011	Cable stop	1	
13	97-2142	-	Grip, left hand	1	
14	60-3567	-	AIR CONTROL LEVER	1	
15	Amal	12/556	Lever	1	
16	Amal	12/607	Bolt	1	
17	Amal	12/606	Cap	1	
18	Amal	12/033	Spring washer	1	
19	70-1612	-	Shakeproof washer	2	
20	60-3896	-	Screw	2	
21	60-4206	-	Front brake lever assembly	1	
22	60-7023	-	Clutch lever blade	1	
23	60-7026	-	Pivot pin	1	
24	14-1901	-	Nut, pivot pin	1	
25	60-3585	-	Adjuster	1	
26	60-3586	-	Lockring	1	
27	19-1965	30447	HANDLEBAR SWITCH, LEFT HAND	1	
28	60-7021	-	CLUTCH LEVER ASSEMBLY COMPLETE	1	
29	60-7022	-	Handlebar bracket, clutch lever	1	
30	60-7024	-	Handlebar clamp for bracket	1	
31	19-1961	30781	Handlebar switch, right hand	1	
32	97-2291	-	Handlebar eyebolt	2	
33	82-1335	-	Washer	2	
34	21-0589	-	Bolt	2	
35	97-1527	-	Metalastik bush	2	
36	97-1529	-	Hemispherical washer	4	
37	97-1581	-	Distance piece	2	
38	97-1580	-	Rubber washer	2	
39	97-2221	-	Cup	2	
40	14-1303	-	Nut	2	
41	60-7025	-	Screw, handlebar clamp 5/8" x 1BA	2	

Footnote. All clutch lever components on machines prior to 1977 MODELS are serviced by the latest clutch lever assembly complete, Part no. 60-7021. Individual parts are no longer available for the earlier clutch lever assemblies.



B26

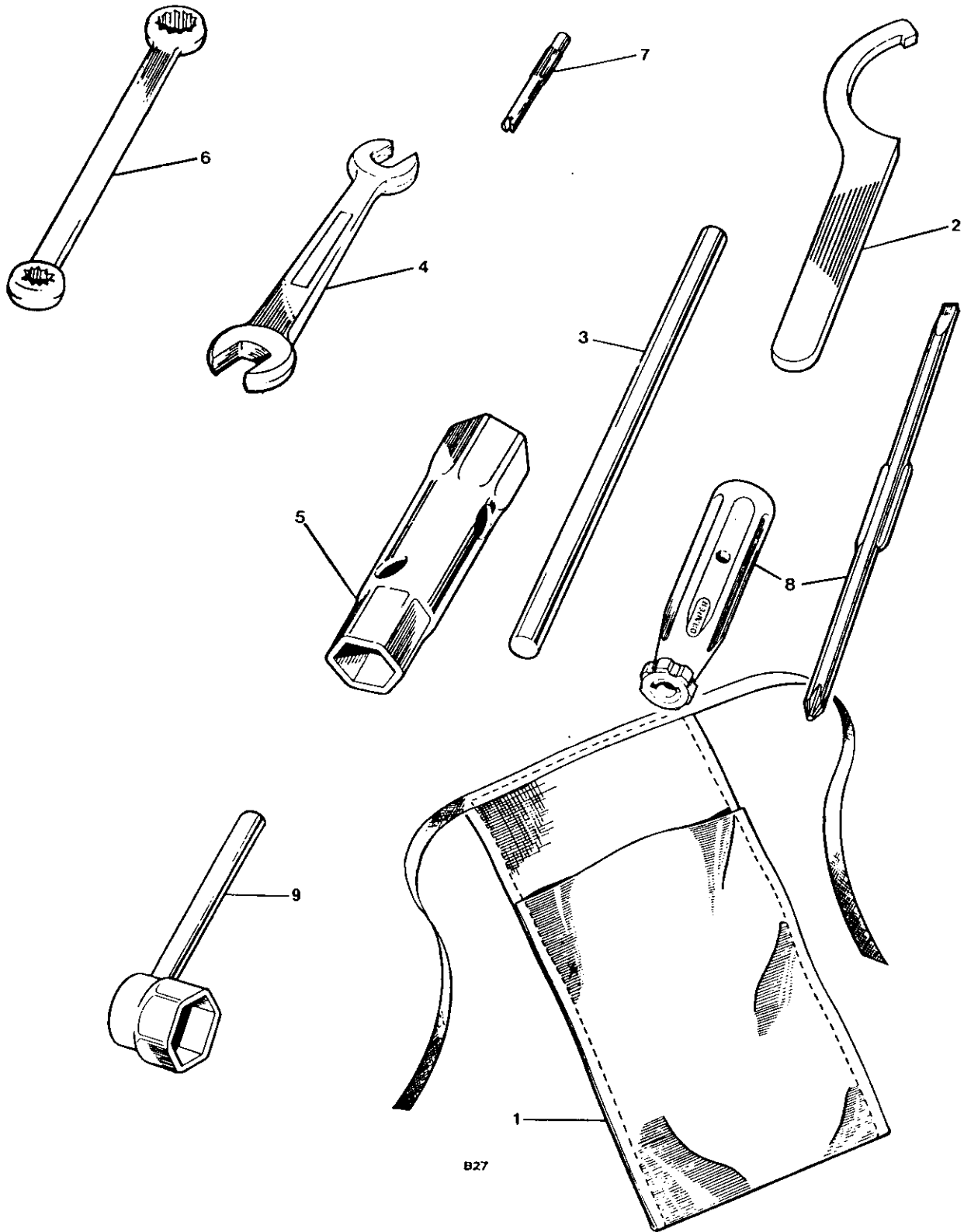
Fig. 30. CONTROL CABLES

## CONTROL CABLES

Ref. No.	Part No.	Description	Quantity	Remarks
1	60-7002	Throttle cable COMPLETE	1 T140V	HIGH BAR
1	60-1806	Throttle cable COMPLETE	1 TR7RV	HIGH BAR
2	60-3925	Clutch cable COMPLETE	1	HIGH BAR
3	60-4194	Air control cable COMPLETE	1 TR7RV	UNIVERSAL
4	60-4126	AIR CONTROL CABLE COMPLETE	1 T140V	UNIVERSAL
5	60-4127	Air cable, lever to junction box	1 T140V	UNIVERSAL
6	60-0685	Junction box throttle and air control	2 T140V	UNIVERSAL
7	60-4128	Air cable, junction box to carburetor	1 T140V	UNIVERSAL
8	60-0978	Cable clip	1	
9	60-4254	Cable clip	13	
10	60-0777	Cable clip	1	
11	60-4258	Cable clip	2	
12	97-4112	Handlebar clip	As required	
13	60-7001	Throttle cable (twist grip to junction block)	1 T140V	HIGH BAR
14	60-0733	Throttle cable (junction block to carburetor)	2 T140V	HIGH BAR

## ALTERNATIVE FITMENTS

1	60-0732	Throttle cable COMPLETE	1 T140V	LOW BAR
1	60-0746	Throttle cable COMPLETE	1 TR7RV	LOW BAR
2	60-4168	Clutch cable COMPLETE	1	LOW BAR
13	60-0683	Throttle cable (twist grip to junction block)	1 T140V	LOW BAR
14	60-0733	Throttle cable (junction block to carburetor)	2 T140V	LOW BAR

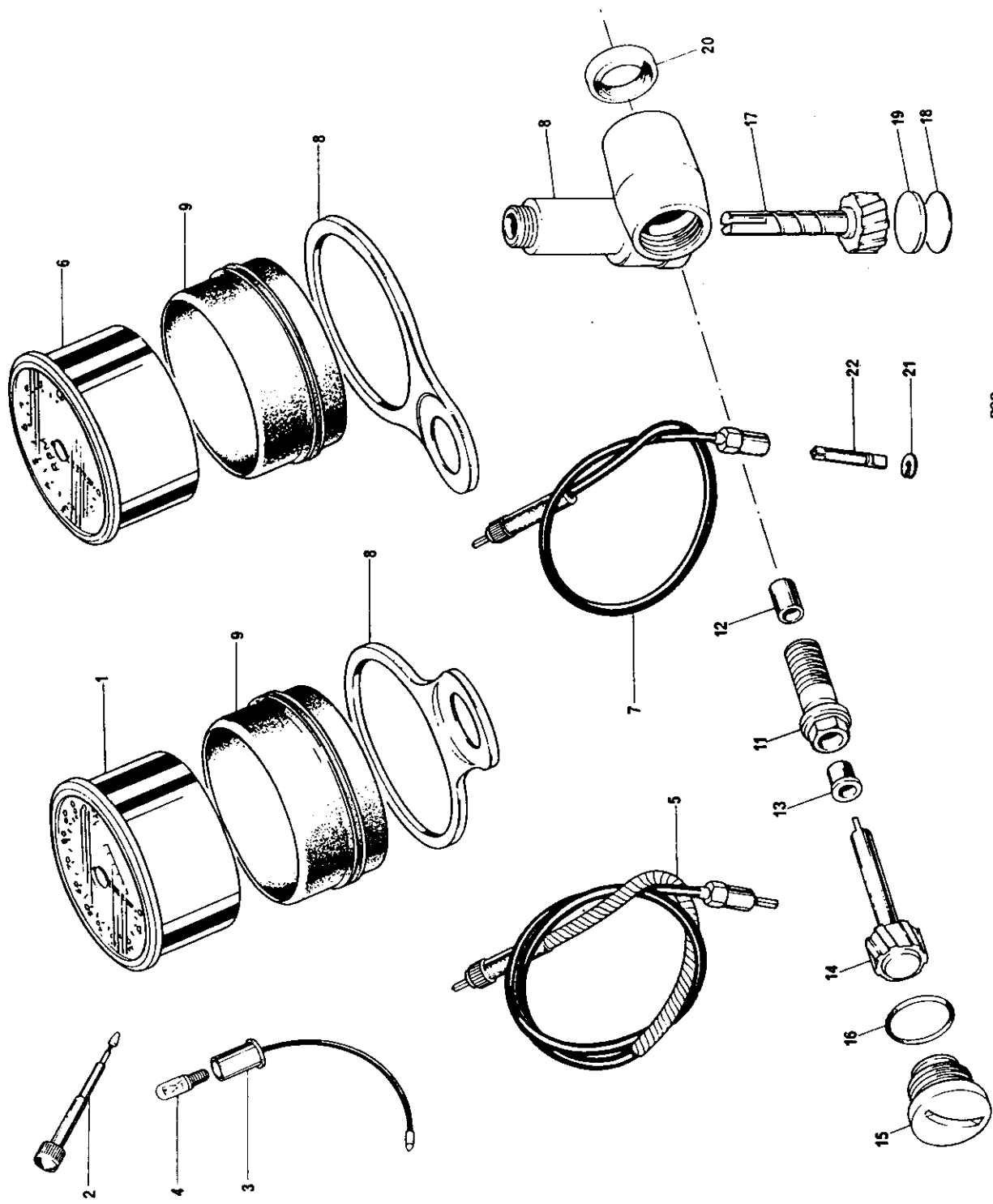


B27

Fig. 31. TOOLKIT

## TOOLKIT

Ref. No.	Part No.	Description	Quantity	Remarks
	60-7019	TOOKLIT COMPLETE	1	
1	60-0291	Tool roll	1	
2	60-2184	Damper unit spanner	1	
3	60-7020	Tommy bar, for rear wheel and box spanner	1	
4	60-2084	Spanner - open ended	1	
5	60-0971	Box spanner	1	
6	60-1907	Ring spanner	1	
7	60-0974	Tyre valve key	1	
8	60-0767	Screw driver	1	
9	60-1050	Plug spanner	1	
Not illus.	60-2599	Licence holder	Available	



B28

Fig. 32. SPEEDOMETER AND TACHOMETER

10 TACHOMETER GEARBOX COMPLETE



## SPEEDOMETER AND TACHOMETER

Ref. No.	NVT Part No.	Makers Part No.	Description	Quantity	Remarks
1	06-5638	SSM4003/00	Speedometer head - MPH	1	
1	60-7027	SSM4003/01	Speedometer head - KPH	1	
2	60-7011	41-118-126-47	Trip control	1	
3	Lucas	51271406	Bulb holder	1	
4	Lucas	643	Bulb	1	
5	60-7012	DF9110/00	Speedometer cable	1	
6	60-7010	RSM3006/00	Tachometer head	1	
7	60-7013	DF9111/03	Tachometer cable	1	
8	97-4026	-	Mounting bracket	1	
9	60-2600	-	Rubber cup	1	
10	71-7011	-	TACHOMETER GEARBOX	1	
11	70-9332	-	Securing screw	1	
12	70-5156	-	Bush	1	} Reference only not supplied separately Part of 70-9332.
13	70-5155	-	Flanged bush	1	
14	70-5157	-	Driving gear	1	
15	71-2480	-	End cup	1	
16	60-3355	-	'O' ring	1	
17	71-2653	-	Driven gear	1	
18	71-2481	-	Welch washer	1	
19	71-7012	-	Thrust cap	1	1 After Engine No. XN65837
19	71-2482	-	Thrust washer	1	1 Before Engine No. XN65837
20	70-7351	-	Sealing washer	1	
21	60-0494	-	Circlip	1	
22	99-0173	31-371-398	Spade	1	
	60-2391	-	Washer	4	4 For speedo and Tacho
	21-0778	-	Nut	4	4 Mounting not illustrated

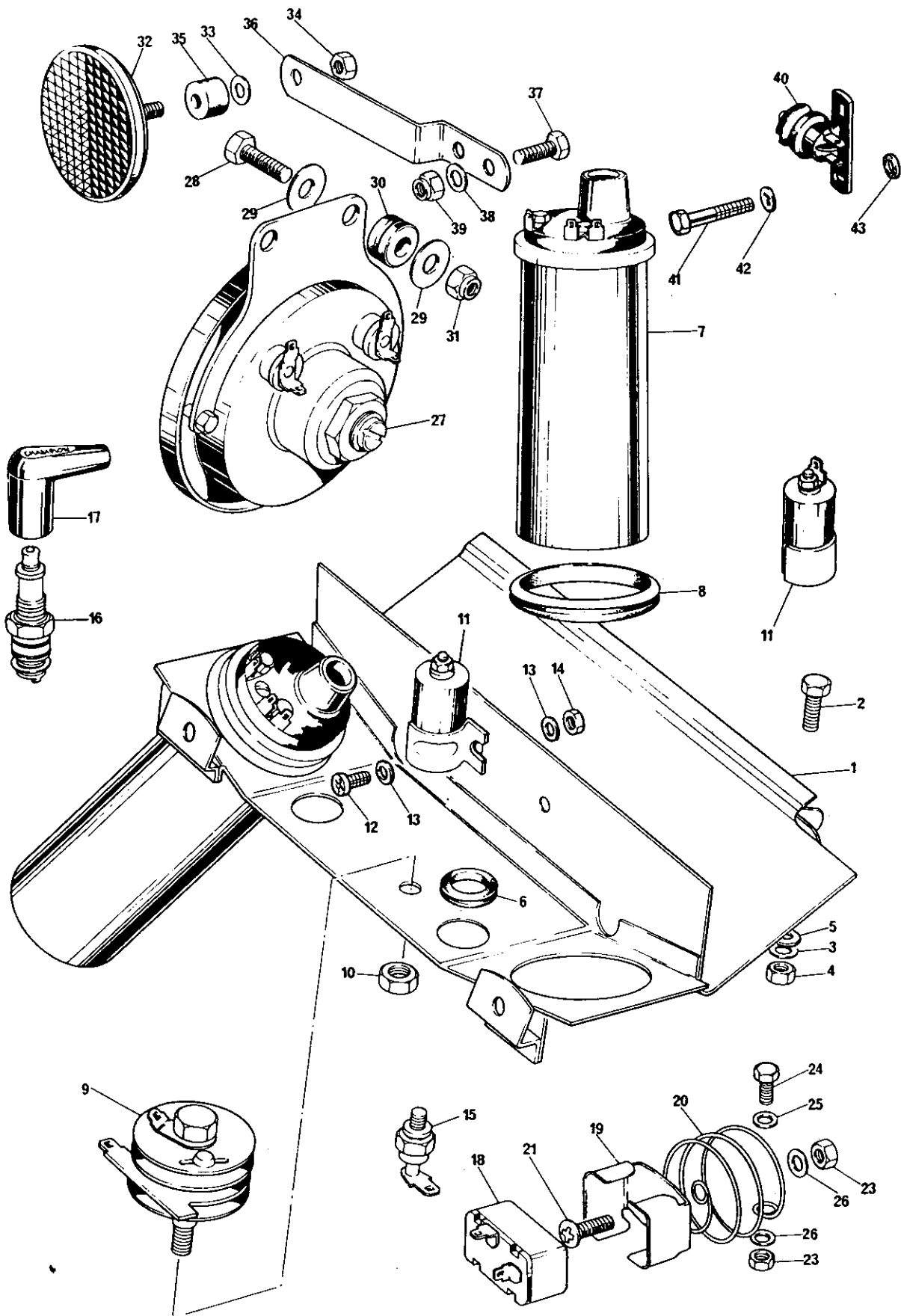


Fig. 33. COIL, CAPACITOR PACK, FLASHER UNIT, ZENER DIODE AND HORN

ELECTRICAL COMPONENTS

Ref. No.	NVT Part No.	Makers Part No.	Description	Quantity	Remarks
1	83-7041	-	Coil and tool tray assembly	1	
2	14-0102	-	Bolt	1	Coil and tool tray attachment, rear.
3	60-2329	-	Washer	2	
4	14-1301	-	Nut	1	
5	70-7554	-	Rubber washer	1	
6	82-6784	-	Grommet, wiring harness	2	
7	19-1964	45223	Ignition coil (17-M-12)	2	
8	82-9561	-	Coil grommet	2	
9	99-0589	49072	Rectifier	1	
10	82-5338	-	Nut	1	
11	60-7018	54420128	Condenser	2	Condenser attachment
12	21-2079	-	Screw	2	
13	60-2391	-	Washer	4	
14	21-0778	-	Nut	2	
15	99-0590	49345	Zener diode	1	
16	60-0911	N3	Sparking plug	2	CHAMPION
17	60-0262	WC200	Plug cover	2	CHAMPION
17	60-3891	MWI/10/51/10	Plug cover, suppressed (FRANCE)	2	MERIT-WORKE
18	99-1201	35048	Flasher unit	1	
19	99-1204	54385091	Clip, flasher unit	1	
20	60-3614	54386637	Spring	1	Flasher unit attachment
21	21-2079	-	Screw	1	
22	60-2391	-	Washer	1	
23	21-7009	-	Nut	2	
24	21-2120	-	Bolt, spring to battery carrier	1	
25	97-1388	-	Plain washer	1	
26	60-2416	-	Washer	2	
27	99-1245	70228	Horn	1	Horn attachment
28	14-0103	-	Bolt	2	
29	60-2347	-	Washer	4	
30	60-3161	-	Grommet	2	
31	14-1301	-	Nut	2	
32	99-1161	57183	Reflector - amber	2	Reflector Mounting
33	60-2416	-	Washer	2	
34	82-3799	-	Nut	2	
35	83-3522	-	Mounting Rubber	2	
36	83-3764	-	Reflector bracket	2	
37	21-2120	-	Bolt	2	Bracket to frame
38	60-2391	-	Washer	2	
39	21-0778	-	Nut	2	
40	99-1028	34815A	Rear stop light switch 118SA	1	
41	21-7010	-	Screw, rear stop switch	2	
42	97-1388	-	Plain washer	2	
43	83-7060	-	Rubber washer	2	
	Lucas	83205	Diode, headlamp (CANADA ONLY)	1	Not illustrated
	70-4144	-	Grommet (for spark plug cover)	2	Not illustrated

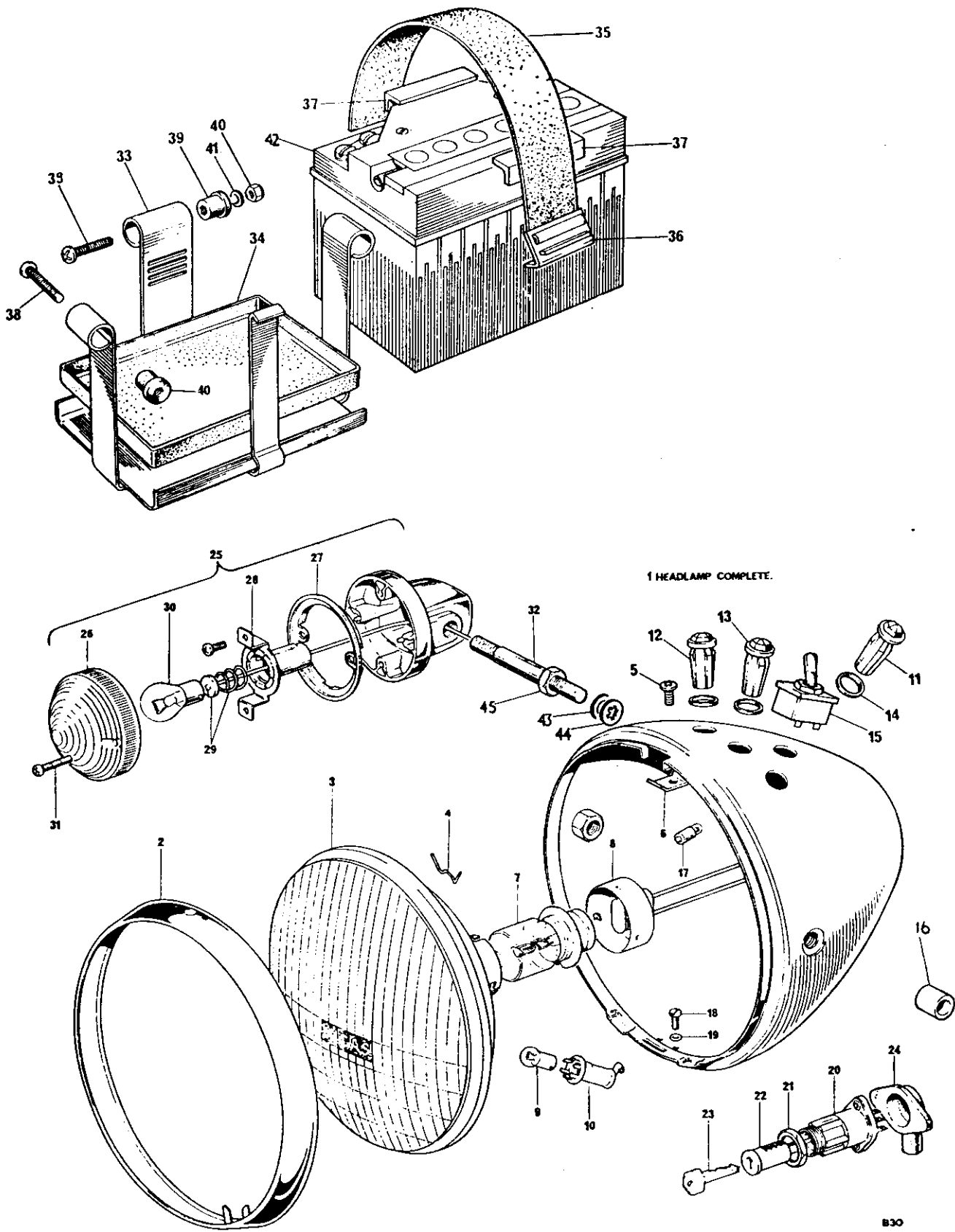


Fig. 34. HEADLAMP AND FLASHER LAMPS

## HEADLAMP AND FLASHER LAMPS

Ref. No.	NVT Part No.	Makers Part No.	Description	Quantity	Remarks
1	19-1284	60513	HEADLAMP COMPLETE	1	Europe
1	99-1267	60512	HEADLAMP COMPLETE	1	UK-USA-Canada
2	99-0692	553248	Headlamp rim	1	
3	99-1249	54525927	Light unit	1	UK-USA-Canada
3	06-8048	54522680	Light unit	1	Europe
4	99-0683	504665	Fixing wire	6	
5	Lucas	144921	Screw	1	
6	Lucas	534296	Plate	1	
7	99-1214	370	Main bulb, 45/35W	1	UK-USA-Canada
7	06-8019	410	Main bulb	1	Europe, except France
7	06-8020	411	Main bulb	1	France
8	Lucas	554602	Bulbholder	1	UK-USA-Canada
8	Lucas	553783	Bulbholder	1	Europe
9	99-0548	989	Pilot bulb	1	
10	99-1213	54573590	Pilot bulbholder	1	
11	99-1208	54363454	Warning light, red	1	
12	99-1209	54363455	Warning light, green	1	
13	99-1207	54363453	Warning light, amber	1	
14	99-1210	54140331	Sealing washer	3	
15	99-1251	34419	Light switch	1	
15	06-8024	34660	Light switch	1	Canada only
16	97-4125	-	Distance piece, headlamp bolt	2	
17	99-0537	281	Bulb, warning light	3	
18	99-1223	54115106	Screw, headlamp fixing	2	
19	99-1224	143086	Washer, headlamp fixing	2	
20	99-0558	54531899 S45	etc IGNITION SWITCH	1	
21	Lucas	54130041	Nut	1	
22	82-6981	-	IGNITION LOCK WITH KEY	1	
23	60-0622	-	Ignition key	1	state serial number
24	97-2262	-	Cover, ignition switch	1	
25	19-1377	56559	FLASHER LAMP	4	
26	19-1191	54581638	Lens	1	
27	Lucas	54580300	Gasket	1	
28	Lucas	54580322	Bulbholder	1	
29	Lucas	573832	Interior assembly	1	
30	99-1192	382	Bulb	1	
31	99-1193	54123401	Screw	2	
32	99-1246	60600091	Stanchion, flasher lamp front	2	
32	19-1963	60600269	Stanchion, flasher lamp rear	2	
33	83-4610	-	Battery carrier assembly	1	
34	82-8091	-	Battery tray moulding	1	
35	82-9353	-	Retaining strap	1	
36	82-9355	-	Buckle	1	
37	82-7380	-	Protective strip	4	
38	83-2508	-	Shoulder screw	3	Battery carrier mounting
39	82-6039	-	Rubber bush	3	
40	14-1301	-	Nut	1	
41	60-2329	-	Plain washer	1	

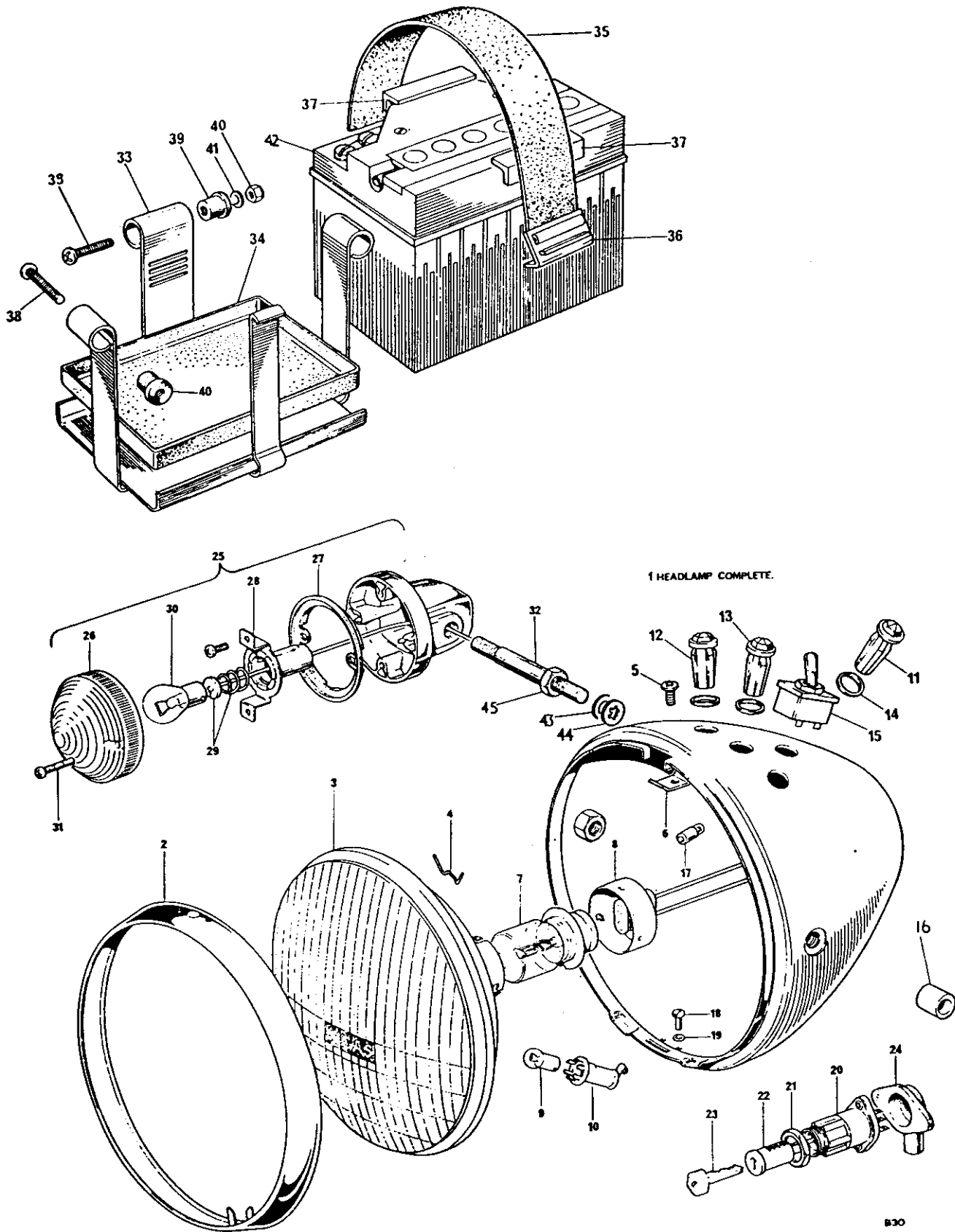


Fig. 34. HEADLAMP AND FLASHER LAMPS

Ref. No.	NVT Part No.	Makers Part No.	Description	Quantity	Remarks
42	99-0719	54027029	Battery PUZ5A	1	
43	60-2332	-	Plain washer	6	} Flasher lamp
44	37-2331	-	Serrated washer	6	
45	14-0404	-	Nut	6	} stanchion
	19-1962	54962258A	Main Wiring harness	1	Not illustrated
	60-7004	-	Decal, warning lights	1	Not illustrated
	60-7005	-	Decal, light switch	1	Not illustrated
	60-7003	-	Decal, ignition switch	1	Not illustrated

**STANDARD HARDWARE SPECIFICATION  
BOLTS**

Part No.	Material	Thd. dia.	Length under head	Min. length of thread	Hexagon A.F.
	Steel				
21-1822	"	5/16" UNF	1/2"	27/64"	0.500"
21-1910	"	3/8" UNF	13/16"	13/16"	0.565"
21-1919	"	5/16" UNC	1 5/8"	7/8"	0.500"
21-2010	"	1/4" UNF	13/16"	3/8"	0.375"
14-0101	"	1/4" UNF	1/2"		0.438"
14-0102	"	1/4" UNF	5/8"		0.438"
14-0103	"	1/4" UNF	3/4"		0.438"
14-0113	"	5/16" UNF	5/8"		0.500"
14-0114	"	5/16" UNF	3/4"		0.500"
14-0115	"	5/16" UNF	7/8"		0.500"
14-0128	"	3/8" UNF	1"		0.563"
14-0208	"	1/4" UNF	2 1/4"	3/4"	0.438"
14-0216	"	5/16" UNF	1 1/8"	7/8"	0.500"
14-0217	"	5/16" UNF	1 1/4"	7/8"	0.500"
14-0219	"	5/16" UNF	1 1/2"	7/8"	0.500"
14-0220	"	5/16" UNF	1 3/4"	7/8"	0.500"
14-0225	"	6/16" UNF	3"	7/8"	0.500"
14-0228	"	5/16" UNF	4"	7/8"	0.500"
14-0234	"	3/8" UNF	1 3/4"	1"	0.563"
14-0236	"	3/8" UNF	2 1/4"	1"	0.563"
14-0239	"	3/8" UNF	3"	1"	0.563"
14-0240	"	3/8" UNF	3 1/4"	1"	0.563"
14-0242	"	3/8" UNF	4"	1"	0.563"
14-0251	"	7/16" UNF	2 3/4"	1 1/4"	0.625"
14-6102	"	1/4" UNC	5/8"		0.438"
14-6115	"	5/16" UNC	7/8"		0.500"

**SCREWS**

Part No.	Type of head	Material	Thd. Dia.	Length under head	Type of drive
21-1916	Cheese head	Steel	1/4" UNC	1 1/8"	Cross recess
21-1917	Cheese head	"	1/4" UNC	2 5/8"	Cross recess
21-1918	Cheese head	"	1/4" UNC	2 3/8"	Cross recess
21-1920	Hex. head	"	1/4" UNC	21/64"	
21-1929	Countersunk (82")	"	1/4" UNC	17/32"	Slot
21-2079	Cheese head	"	No. 10 UNF	1/2"	Pozidrive
14-0604	Cheese head	"	1/4" UNF	1/2"	Cross recess
14-6505	Countersunk (82")	"	1/4" UNC	7/8"	Cross recess
14-6607	Cheese head	"	1/4" UNC	7/8"	Cross recess
14-6608	Cheese head	"	1/4" UNC	1"	Cross recess
14-6609	Cheese head	"	1/4" UNC	1 1/4"	Cross recess
14-7019	Socket head	"	5/16" UNC	7/8"	Hex. socket
14-7024	Socket head	"	5/16" UNC	2"	Hex. socket



## N U T S

Part No.	Material Steel	Thd. dia.	Hexagon A.F.	Thickness	Remarks
21-0778	"	No. 10 UNF	0.375"	0.225"	Cleavelock
21-1852	"	5/16" UNF	0.437"	0.330"	Philidas
21-1906	"	1/4" UNF	0.438"	0.188"	Plain
21-1908	"	5/16" UNF	0.438"	0.313"	Plain
21-1914	"	3/4" UNEF	1.125"	0.250"	Plain
21-2012	"	7/8" UNEF	1.313"	0.438"	Plain
21-2013	"	3/4" UNEF	1.313"	0.313"	Plain
21-2014	"	3/4" UNEF	1.313"	0.438"	Plain
14-0301	"	1/4" UNF	0.438"	0.224"	Plain
14-0302	"	5/16" UNF	0.500"	0.271"	Plain
14-0401	"	1/4" UNF	0.438"	0.161"	Lock
14-0402	"	5/16" UNF	0.500"	0.192"	Lock
14-0403	"	3/8" UNF	0.563"	0.224"	Lock
14-0701	"	1/4" UNF	0.438"	0.203"	Philidas
14-0702	"	5/16" UNF	0.500"	0.246"	Philidas
14-0703	"	3/8" UNF	0.563"	0.296"	Philidas
14-1201	"	1/4" UNF	0.438"	0.285"	Stiffnut
14-1202	"	5/16" UNF	0.500"	0.335"	Stiffnut
14-1301	"	1/4" UNF	0.438"	0.245"	Stiffnut
14-1302	"	5/16" UNF	0.500"	0.290"	Stiffnut
14-1303	"	3/8" UNF	0.563"	0.320"	Stiffnut
14-1304	"	7/16" UNF	0.688"	0.275"	Stiffnut
14-1305	"	1/2" UNF	0.750"	0.435"	Stiffnut.
14-1902	"	5/16" UNF	0.500"	0.361"	Nyloc
14-1903	"	3/8" UNF	0.563"	0.375"	Nyloc

## W A S H E R S — P L A I N

Part No.	Material	i/dia.	o/dia.	Thickness
60-4245	Steel	0.273"	0.563"	0.048"
60-4246	Steel	0.398"	0.750"	0.063"
60-4247	Steel	0.336"	0.625"	0.063"
37-2027	Steel	0.531"	1.031"	0.092"
60-4248	Steel	0.266"	0.469"	0.064"

## W A S H E R S — S P R I N G

Part No.	Material	i/dia.	o/dia.	o/a height	Thickness
60-4259	Spring steel	3/8" clearance	19/32"	7/32"	0.104"
60-4250	"	1/4" clearance	13/32"	3/16"	0.064"
60-3541	"	17/32"	7/8"	7/32"	0.040"***
21-0648	"	5/16" clearance	1/2"	5/32"	0.080"

\*\* Double coil.

## ESSENTIAL SERVICE TOOLS

Part No.	Description
60-1810	Camshaft oil seal protector
61-6019	Crankshaft pinion extractor
61-3808	Universal extractor set
61-6113	Front fork assembly tool
60-4614	5 speed gearbox assembly tool
61-6125	Gearbox sprocket spanner
61-6008	Tappet guide block punch
61-3766	Clutch extractor
61-3768	Clutch locking tool
61-6112	Piston ring clamp
60-3677	Crankshaft bearing (inner race) extractor

Part No.	Page	Ref. No.	Qty.	Part No.	Page	Ref. No.	Qty.
00-4409	63	1	1	14-1019	51	33	2
				14-1034	51	6	2
06-5638	81	1	1	14-1201	49	8	2
06-8019	85	7	1	14-1201	49	22	4
06-8020	85	7	1	14-1201	57	21	1
06-8024	85	15	1	14-1201	71	6	5
06-8029	73			14-1202	49	12	2
06-8029	73			14-1202	49	18	2
06-8048	85	11	1	14-1203	63	13	2
06-8058	73	3	1	14-1203	63	13	2
		12	1	14-1301	17	9	2
				14-1301	17	16	4
14-0101	65	52	1	14-1301	71	16	2
14-0101	67	28	4	14-1301	71	23	2
14-0101	71	4	2	14-1301	71	27	2
14-0101	71	14	2	14-1301	73	10	4
14-0102	49	21	4	14-1301	83	4	1
14-0102	65	45	1	14-1301	83	31	2
14-0102	69	20	4	14-1301	85	40	1
14-0102	71	21	2	14-1302	11	31	5
14-0102	71	25	2	14-1302	37	29	1
14-0102	73	8	4	14-1302	43	9	4
14-0102	83	2	1	14-1302	47	11	2
14-0103	57	35	2	14-1302	47	22	5
14-0103	63	16	1	14-1302	47	26	4
14-0103	71	11	2	14-1302	63	30	2
14-0103	83	28	2	14-1302	65	58	1
14-0107	61	20	2	14-1302	69	29	2
14-0113	67	11	2	14-1302	71	19	2
14-0114	43	43	1	14-1303	11	16	1
14-0114	65	57	1	14-1303	19	39	2
14-0114	71	17	2	14-1303	23	39	2
14-0115	47	20	4	14-1303	43	40	1
14-0116	47	21	1	14-1303	45	13	1
14-0129	47	40	1	14-1303	45	25	2
14-0201	41	31	1	14-1303	45	28	2
14-0206	45	31	1	14-1303	47	12	2
14-0208	31	9	1	14-1303	51	4	1
14-0216	47	9	2	14-1303	51	17	2
14-0217	49	11	2	14-1303	59	48	2
14-0218	69	11	2	14-1303	63	19	1
14-0219	49	16	2	14-1303	75	40	2
14-0220	47	24	2	14-1304	43	37	2
14-0221	47	25	2	14-1304	45	17	1
14-0221	69	5	2	14-1304	47	37	1
14-0230	11	28	1	14-1305	47	17	2
14-0232	63	12	2	14-1307	45	11	1
14-0234	51	3	1	14-1307	61	17	1
14-0234	45	26	2	14-1401	19	30	6
14-0235	45	23	2	14-1401	23	30	6
14-0237	51	15	1	14-1445	11	14	1
14-0241	19	29	4	14-1901	75	24	1
14-0241	23	29	4	14-1903	55	20	4
14-0254	47	36	1	14-1903	61	23	4
14-0259	47	3	1	14-1903	63	29	1
14-0261	47	2	1	14-2205	49	7	2
14-0301	19	32	6	14-2205	71	7	3
14-0301	23	32	6	14-6101	13	55	1
14-0301	37	14	4	14-6103	21	55	8
14-0301	61	21	2	14-6103	25	55	8
14-0301	63	17	1	14-6113	17	20	1
14-0301	73	4	1	14-6113	41	33	1
14-0302	51	26	8	14-6114	71	9	2
14-0302	69	9	1	14-6220	11	26	1
14-0302	69	8	2	14-6223	11	27	1
14-0304	47	31	1	14-6242	11	43	1
14-0402	11	46	2	14-6606	21	57	4
14-0402	43	44	1	14-6606	25	57	4
14-0403	39	18	1	14-6608	31	8	6
14-0404	87	45	6	14-6608	33	10	1
14-0702	41	17	3	14-6608	37	32	1

Part No.	Page	Ref. No.	Qty.	Part No.	Page	Ref. No.	Qty.
14-6608	41	25	6	21-2177	19	3	4
4-6609	31	7	2	21-2177	23	3	4
4-6609	37	31	2	21-2182	9	24	1
4-6620	41	26	2	21-2183	9	8	1
14-7023	33	11	1	21-2189	51	39	2
14-7804	73	17	1	21-2191	57	20	1
				21-2192	57	22	2
				21-2194	57	23	2
19-1191	85	26	1	21-2196	59	50	2
19-1284	85	1	1	21-2197	19	36	2
19-1377	85	25	4	21-2197	23	36	2
19-1961	75	31	1	21-2198	41	12	2
19-1962	87	-	1	21-2199	41	11	2
19-1963	85	32	2	21-2200	19	24	2
19-1964	83	7	2	21-2200	23	24	2
19-1965	75	27	1	21-2201	19	23	4
19-2452	29	1	1	21-2201	23	23	4
19-2453	29	2	1	21-2204	19	25	4
19-2454	27	1	1	21-2204	23	25	4
19-6901	57	45	2	21-2205	19	26	2
19-6901	63	9	1	21-2205	23	26	2
				21-2206	19	33	4
				21-2206	23	33	4
21-0501	69	10	2	21-2207	55	18	4
21-0541	37	38	1	21-2225	73	2	1
21-0543	11	36	1	21-2230	49	5	2
21-0544	37	41	1	21-7001	47	8	1
21-0544	41	27	2	21-7002	47	8	1
21-0547	37	5	4	21-7004	45	15	1
21-0550	43	18	2	21-7005	61	22	4
21-0578	51	9	1	21-7005	61	22	4
21-0586	39	1	1	21-7006	63	22	2
21-0589	75	34	2	21-7007	63	28	2
21-0594	35	34	1	21-7008	59	54	1
21-0669	11	44	1	21-7009	49	4	2
21-0692	19	5	4	21-7009	83	23	2
21-0692	23	5	4	21-7010	83	41	2
21-0778	81	-	1				
21-0778	83	14	2				
21-0778	83	39	2	37-0653	55	14	1
21-1823	11	29	2	37-1237	55	13	2
21-1863	11	22	1	37-2294	55	8	40
21-1864	15	10	2	37-2294	61	7	40
21-1865	11	23	4	37-2331	87	44	6
21-1870	11	25	1	37-2338	19	37	2
21-1871	11	20	1	37-2338	23	37	2
21-1872	11	24	1	37-3468	61	34	2
21-1875	19	34	4	37-3742	61	19	2
21-1875	23	34	4	37-3761	11	21	1
21-1876	17	3	2	37-3761	33	25	1
21-1877	17	5	4	37-3965	61	16	1
21-1879	37	25	2	37-3969	55	21	-
21-1906	15	12	2	37-3969	61	32	-
21-1907	33	8	1	37-3970	55	22	-
21-1908	43	14	1	37-3970	61	33	-
21-1996	17	6	2	37-4126	55	4	1
21-1998	59	53	1	37-4127	55	5	1
21-2064	67	-	4	37-4129	55	3	1
21-2077	43	36	2	37-4130	55	7	20
21-2079	83	12	2	37-4131	55	6	20
21-2079	83	21	1	37-4132	55	16	1
21-2087	45	9	1	37-4133	55	9	1
21-2095	53	50	4	37-4134	55	10	1
21-2102	51	25	8	37-4134	61	26	1
21-2109	43	8	4	37-4135	55	12	1
21-2112	47	30	1	37-4135	61	30	2
21-2120	83	24	1	37-4141	55	1	1
21-2120	83	37	2	37-4143	55	2	1
21-2149	33	7	2	37-4263	59	49	1
21-2157	39	8	3	37-4275	55	17	1
21-2162	37	30	2				

Part No.	Page	Ref. No.	Qty.	Part No.	Page	Ref. No.	Qty.
37-4275	61	10	1	57-3929	39	2	1
37-7001	61	8	1	57-3931	39	3	1
37-7002	61	9	1	57-3978	33	20	1
37-7003	61	15	1	57-3988	35	7	1
37-7004	61	31	1	57-3989	33	16	1
37-7005	61	11	1	57-4113	35	27	1
37-7006	61	28	1	57-4117	37	15	1
37-7007	61	5	10	57-4356	37	39	1
37-7008	61	6	10	57-4364	33	22	1
37-7009	61	4	20	57-4366	33	23	1
37-7010	61	13	1	57-4376	35	8	1
37-7014	63	1	1	57-4377	35	9	1
37-7016	61	25	1	57-4396	35	23	1
37-7017	61	2	1	57-4400	33	19	1
37-7018	61	3	1	57-4403	37	10	2
37-7019	61	1	1	57-4432	35	6	1
37-7020	63	1	1	57-4435	39	-	1
37-7021	61	12	1	57-4436	39	7	1
				57-4437	39	12	1
				57-4438	39	6	1
57-0023	37	2	1	57-4459	33	18	1
57-0023	41	21	1	57-4587	37	-	1
57-0031	37	16	1	57-4588	37	18	1
57-0045	33	4	1	57-4589	37	21	1
57-0047	37	4	1	57-4590	39	16	1
57-0280	55	15	1	57-4636	39	9	1
57-0394	39	4	20	57-4640	39	5	1
57-0404	37	9	2	57-4644	39	20	3
57-0405	37	11	2	57-4647	35	15	1
57-0407	37	12	1	57-4653	35	11	1
57-0730	35	31	1	57-4654	35	18	1
57-0731	35	32	1	57-4656	35	19	1
57-0912	11	10	1	57-4657	35	16	1
57-0989	11	9	2	57-4659	35	17	1
57-0989	31	6	2	57-4660	33	24	1
57-0989	33	6	4	57-4661	35	21	1
57-1070	35	36	1	57-4754	39	13	3
57-1070	55	11	1	57-4756	37	18	1
57-1070	61	29	2	57-4763	39	14	6
57-1167	37	36	1	57-4781	35	3	1
57-1250	35	30	1	57-4782	35	22	1
57-1257	11	35	1	57-4794	39	23	1
57-1363	39	15	6	57-4889	33	12	1
57-1606	11	11	1	57-4900	35	12	1
57-1607	33	5	2	57-4903	39	-	1
57-1614	33	2	1	57-4909	35	24	1
57-1646	37	26	1	57-7001	33	1	1
57-1710	37	19	1	57-7003	41	20	1
57-1712	37	22	1	57-7008	37	3	1
57-1722	39	10	3	57-7009	33	3	1
57-1723	39	11	3	57-7009	41	22	1
57-1736	35	35	1	57-7010	41	29	1
57-1920	11	40	-	57-7011	33	14	1
57-1931	39	19	3	57-7012	33	21	1
57-1955	37	7	1	57-7014	37	1	1
57-1956	37	6	1	57-7015	33	26	1
57-1962	35	28	1	57-7016	33	27	1
57-1963	35	29	1	57-7017	37	35	1
57-2159	39	17	1	57-7018	37	33	1
57-2166	11	41	2	57-7019	33	13	1
57-2166	37	42	1	57-7020	33	17	1
57-2167	11	34	1	57-7021	37	8	1
57-2173	37	34	1				
57-2240	35	33	1				
57-2259	11	38	1				
57-2330	37	39	1	60-0262	83	17	2
57-2331	43	42	1	60-0291	79	1	1
57-2450	41	30	1	60-0494	81	21	1
57-2526	39	21	3	60-0622	85	23	1
57-3673	37	23	1	60-0623	51	8	1
57-3762	37	27	1				

No.	Page	Ref. No.	Qty.	Part No.	Page	Ref. No.	Qty.
683	77	13	1	60-2428	71	10	2
685	77	6	2	60-2438	69	7	2
732	77	1	1	60-2569	67	-	2
733	77	14	2	60-2599	79	-	1
60-0746	77	1	1	60-2600	81	9	1
60-0767	79	8	1	60-2640	41	32	1
60-0777	77	10	1	60-2701	37	24	-
60-0911	83	16	2	60-2720	67	35	-
60-0971	79	5	1	60-3161	83	30	2
60-0974	79	7	1	60-3213	61	27	1
60-0978	77	8	1	60-3355	15	19	1
60-1050	79	9	1	60-3355	81	16	1
60-1806	77	1	1	60-3361	43	-	1
60-1810	90	-	-	60-3494	35	20	1
60-1841	45	2	2	60-3500	35	1	1
60-1907	79	6	1	60-3500	35	5	1
60-2084	79	4	1	60-3511	35	4	2
60-2087	67	31	1	60-3512	35	37	1
60-2118	41	1	1	60-3539	69	9	2
60-2138	31	-	1	60-3548	19	45	2
60-2184	79	2	1	60-3548	23	46	2
60-2252	43	30	2	60-3553	35	26	1
60-2320	67	27	8	60-2567	75	14	1
60-2321	67	12	2	60-3585	75	25	1
60-2321	69	30	2	60-3586	75	26	1
60-2329	71	15	2	60-3614	83	20	1
60-2329	71	22	2	60-3616	43	3	1
60-2329	71	26	2	60-3677	90	-	-
60-2329	73	9	5	60-3719	31	23	1
60-2329	83	3	2	60-3748	73	-	1
60-2329	85	41	1	60-3761	9	11	1
60-2330	11	30	10	60-3891	83	17	2
60-2330	43	7	4	60-3896	75	20	1
60-2330	47	23	9	60-3925	75	2	1
60-2330	63	31	2	60-3957	45	18	2
60-2330	63	32	1	60-3963	21	56	12
60-2330	71	18	2	60-3963	25	56	12
60-2331	19	38	2	60-3975	69	16	1
60-2331	23	38	2	60-4101	57	38	1
60-2331	45	24	2	60-4101	63	2	1
60-2331	45	27	2	60-4102	57	1	1
60-2331	51	5	1	60-4103	73	-	1
60-2331	59	47	2	60-4125	41	10	1
60-2331	63	20	2	60-4126	77	4	1
60-2332	45	16	1	60-4127	77	5	1
60-2332	47	33	1	60-4128	77	7	1
60-2332	47	38	1	60-4150	69	21	2
60-2332	87	43	6	60-4152	69	24	2
60-2333	47	45	2	60-4153	69	23	2
60-2347	45	30	1	60-4154	69	25	2
60-2347	83	29	4	60-4156	59	51	1
60-2363	15	6	2	60-4167	9	18	1
60-2364	37	37	1	60-4168	77	2	1
60-2368	37	20	3	60-4175	57	33	1
60-2381	67	32	1	60-4176	57	29	1
60-2391	81	-	4	60-4178	57	37	1
60-2391	83	13	4	60-4179	57	30	1
60-2391	83	22	1	60-4180	57	31	3
60-2391	83	38	2	60-4180	63	25	1
60-2416	49	25	2	60-4182	57	26	1
60-2416	83	26	2	60-4182	65	55	1
60-2416	83	33	2	60-4183	57	25	1
60-2417	67	29	4	60-4184	57	27	1
60-2419	47	42	1	60-4186	57	28	1
60-2427	57	36	2	60-4194	77	3	1
60-2427	65	46	1	60-4206	57	2	1
60-2427	65	53	1	60-4206	75	21	1
60-2427	71	12	2	60-4245	71	5	5
60-2428	11	49	2	60-4246	11	15	2
60-2428	51	27	8	60-4246	45	14	1
60-2428	67	27	2				

Part No.	Page	Ref. No.	Qty.	Part No.	Page	Ref. No.	Qty.
60-4247	37	28	2	70-0375	11	12	1
60-4247	49	17	2	70-0400	9	29	1
60-4248	17	4	4	70-0403	15	7	2
60-4248	19	35	4	70-0470	21	51	4
60-4248	23	35	4	70-0470	25	51	4
60-4248	49	23	4	70-0489	35	25	1
60-4250	13	54	1	70-0495	15	5	1
60-4250	73	3	1	70-1330	21	54	2
60-4251	47	32	1	70-1330	25	54	2
60-4253	39	22	1	70-1335	43	11	1
60-4254	77	9	13	70-1335	43	17	4
60-4255	31	3	3	70-1457	21	47	2
60-4258	77	11	2	70-1457	25	47	2
60-4260	17	28	1	70-1458	21	48	2
60-4265	69	3	2	70-1458	25	48	2
60-4266	59	52	1	70-1513	21	50	4
60-4266	63	11	1	70-1513	25	50	4
60-4328	57	7	1	70-1532	11	17	2
60-4328	65	49	1	70-1543	19	21	4
60-4365	57	6	1	70-1543	23	21	4
60-4365	65	51	1	70-1558	9	31	2
60-4366	57	8	1	70-1574	21	52	4
60-4366	65	50	1	70-1574	25	52	4
60-4374	65	42	1	70-1575	21	53	6
60-4384	69	22	2	70-1575	25	53	6
60-4385	69	22	2	70-1580	9	25	1
60-4397	63	40	1	70-1612	37	13	4
60-4398	63	43	1	70-1612	73	18	1
60-4399	63	44	1	70-1612	75	19	2
60-4401	63	27	1	70-2288	57	32	3
60-4409	63	33	1	70-2360	15	8	2
60-4429	43	46	1	70-2441	11	37	1
60-4440	73	-	2	70-2441	17	25	2
60-4511	67	20	1	70-2879	9	38	1
60-4512	67	21	1	70-2904	19	17	2
60-4614	90	-	-	70-2904	23	17	2
60-4619	57	29	1	70-3135	21	59	2
60-7001	77	13	1	70-3135	25	59	2
60-7002	77	1	1	70-3300	9	37	6
60-7003	87	-	1	70-3302	19	31	6
60-7004	87	-	1	70-3302	23	31	6
60-7005	87	-	1	70-3446	19	4	4
60-7007	63	24	1	70-3446	23	4	4
60-7010	81	6	1	70-3446	33	9	1
60-7011	81	2	1	70-3446	43	15	1
60-7012	81	5	1	70-3586	9	12	4
60-7013	81	7	1	70-3586-010	9	12	4
60-7014	81	5	1	70-3586-020	9	12	4
60-7016	65	47	1	70-3768	49	10	4
60-7018	83	11	1	70-3768	49	15	4
60-7019	79	-	1	70-3789	35	2	1
60-7020	79	3	1	70-3821	41	4	6
60-7021	75	28	1	70-3887	15	11	2
60-7022	75	29	1	70-3902	9	39	1
60-7023	75	22	1	70-3903	9	3	1
60-7024	75	30	1	70-3975	9	23	1
60-7025	75	41	2	70-4016	31	2	1
60-7026	75	23	1	70-4144	41	15	1
60-7027	81	1	1	70-4144	83	-	2
60-7028	63	23	1	70-4152	41	7	1
60-7030	75	30	1	70-4221	19	19	4
				70-4221	23	19	4
				70-4538	11	7	-
				70-4564	9	26	1
61-3766	90	-	-	70-4568	31	4	2
61-3768	90	-	-	70-4569	31	5	1
61-3808	90	-	-	70-4603	19	16	2
61-6008	90	-	-	70-4603	23	16	2
61-6019	90	-	-	70-4705	13	53	1
61-6112	90	-	-	70-4707	31	11	1
61-6113	90	-	-	70-4752	19	9	2
61-6125	90	-	-				

No.	Page	Ref. No.	Qty.	Part No.	Page	Ref. No.	Qty.
752	23	9	2	70-9988	9	36	1
085	41	6	1				
087	41	8	1				
088	11	4	1				
70-5088	41	5	1	71-0070	21	49	4
70-5155	81	13	1	71-0070	25	49	4
70-5156	81	12	1	71-0082	9	21	1
70-5157	81	14	1	71-0286	11	6	2
70-5660	17	2	2	71-0287	11	2	2
70-5874	49	14	2	71-1003	9	7	3
70-6159	9	28	1	71-1007	9	32	1
70-6309	19	1	1	71-1072	11	47	1
70-6309	23	1	1	71-1075	11	48	1
70-6386	11	8	-	71-1078	13	52	1
70-6387	31	4	-	71-1283	19	11	2
70-6523	9	33	1	71-1283	23	11	2
70-6559	13	57	2	71-1345	13	56	1
70-6559	31	13	2	71-1419	41	2	1
70-6596	15	17	1	71-1460	13	50	1
70-6681	15	4	1	71-1462	31	15	1
70-6848	43	20	2	71-1707	19	8	2
70-6848	43	22	1	71-1707	23	8	2
70-6857	49	6	2	71-1860	69	15	1
70-7310	19	10	2	71-2349	43	25	1
70-7310	23	10	2	71-2361	21	58	4
70-7351	67	22	2	71-2361	25	58	4
70-7351	81	20	1	71-2425	9	5	1
70-7354	13	51	2	71-2465	49	3	2
70-7354	31	17	2	71-2480	81	15	1
70-7400	19	20	4	71-2481	81	18	1
70-7400	23	20	4	71-2482	81	18	1
70-7431	11	39	1	71-2501	45	3	2
70-7431	41	34	1	71-2501	71	8	3
70-7512	49	9	2	71-2598	21	60	4
70-7554	83	5	1	71-2599	19	40	2
70-7563	17	23	2	71-2599	23	40	2
70-7573	11	45	1				
70-7573	57	24	1	71-2598	25	60	4
70-7590	15	14	1				
70-7591	15	14	1				
70-7680	31	12	2	71-2653	81	17	1
70-8038	9	-	As required	71-2660	9	-	As required
70-8163	31	10	1	71-2663	9	-	1
70-8738	31	14	1	71-2800	9	4	1
70-8751	11	13	2	71-2813	17	12	4
70-8752	15	15	1	71-2877	9	27	1
70-8754	15	18	1	71-2930	31	24	1
70-8770	55	19	4	71-3006	9	9	2
70-8770	61	24	8	71-3013	11	23	4
70-8782	11	33	1	71-3030	9	1	1
70-8782	37	43	1	71-3294	19	14	2
70-8782	11	42	2	71-3294	23	14	2
70-8801	17	27	2	71-3295	19	15	2
70-9246	31	1	1	71-3295	23	15	2
70-9269	15	3	1	71-3296	19	18	4
70-9330	11	18	1	71-3296	23	18	4
70-9332	81	11	1	71-3298	9	2	1
70-9336	11	32	1	71-3313	17	17	2
70-9352	17	21	1	71-3316	43	5	1
70-9353	17	22	1	71-3329	19	6	2
70-9360	41	14	1	71-3329	23	6	2
70-9421	15	1	1	71-3330	19	7	1
70-9554	17	7	2	71-3330	23	7	1
70-9554	17	14	4	71-3338	17	11	1
70-9555	17	8	2	71-3339	17	10	1
70-9555	17	15	4	71-3354	9	16	2
70-9703	41	9	1	71-3447	15	13	1
70-9711	27	29	1	71-3463	43	2	1
70-9711	29	29	1	71-3542	9	19	1
70-9888	49	13	1	71-3544	9	20	1
70-9914	9	10	4				



Part No.	Page	Ref. No.	Qty.	Part No.	Page	Ref. No.	Qty.
71-3549	19	45	2	82-1335	75	33	2
71-3549	23	45	2	82-1880	11	19	1
71-3550	43	16	1	82-1880	41	28	2
71-3551	43	19	1	82-2184	19	28	4
71-3552	9	6	3	82-2184	23	28	4
71-3553	19	27	1	82-2184	47	13	2
71-3553	23	27	1	82-2184	51	16	3
71-3556	17	1	1	82-2184	63	14	2
71-3573	17	13	2	82-3799	83	34	2
71-3577	17	18	1	82-4048	67	19	1
71-3666	9	30	2	82-4129	69	27	2
71-3668	19	41	1	82-4228	67	34	1
71-3668	23	41	1	82-4717	43	33	4
71-3669	19	42	1	82-4717	69	26	2
71-3669	23	42	1	82-5338	83	10	1
71-2671	19	43	2	82-5343	43	10	1
71-3671	23	43	2	82-6039	85	39	3
71-3673	19	44	2	82-6673	69	19	2
71-3673	23	44	2	82-6738	51	7	1
71-3676	9	13	2	82-6784	53	-	1
71-3681	19	12	1	82-6784	83	6	2
71-3681	23	12	1	82-6850	73	7	1
71-3686	7	-	2	82-6981	85	22	1
71-3687	7	-	2	82-7021	43	39	1
71-3689	7	-	2	82-7380	85	37	4
71-3690	9	14	4	82-7560	67	33	1
71-3691	7	-	4	82-7888	67	17	2
71-3692	7	-	4	82-8091	85	34	1
71-3694	7	-	4	82-8382	43	41	1
71-3695	9	15	2	82-9054	47	14	2
71-3696	7	-	2	8-9063	67	6	1
71-3697	7	-	2	82-9073	43	23	1
71-3699	7	-	2	82-9089	47	10	2
71-3700	9	17	4	82-9093	67	30	4
71-3748	19	22	8	82-9279	47	5	2
71-3748	23	22	8	82-9353	85	35	1
71-3754	43	13	1	82-9355	85	36	1
71-3755	49	1	1	82-9561	83	8	2
71-3758	49	2	1	82-9700	67	15	1
71-3778	9	13	2	82-9701	67	15	1
71-3892	41	3	1	83-0002	67	23	2
71-3895	41	23	2	83-1339	67	16	2
71-3896	41	24	2	83-1560	43	38	1
71-3910	15	9	1	83-1615	43	31	4
71-3989	11	3	1	83-2007	51	11	2
71-3995	7	-	2	83-2266	45	10	2
71-3996	7	-	2	83-2266	61	18	1
71-3998	7	-	2	83-2508	85	38	3
71-4005	19	2	1	83-2521	45	4	4
71-4005	23	2	1	83-2641	45	29	1
71-4020	19	18	1	83-2689	45	7	1
71-4044	13	58	1	83-2690	45	6	1
71-4159	49	19	2	83-2691	45	5	2
71-7001	11	1	1	83-2692	45	8	1
71-7002	11	5	1	83-2726	71	-	1
71-7003	41	19	1	83-2796	71	28	1
71-7004	11	-	1	83-2829	43	6	2
71-7007	23	13	1	83-2846	47	28	1
71-7008	17	26	2	83-2847	47	29	1
71-7009	41	18	1	83-2848	47	29	1
71-7011	81	10	1	83-2849	47	35	1
71-7012	81	19	1	83-3082	61	14	2
71-7013	43	12	1	83-3329	47	41	1
71-7014	43	21	1	83-3522	83	35	2
71-7015	43	24	1	83-3527	47	39	1
71-7016	0	34	1	83-3602	47	16	1
71-7017	9	35	1	83-3764	83	36	2
71-7018	69	16	2	83-3793	43	35	1
71-7019	69	13	2	83-3814	67	8	1

No.	Page	Ref. No.	Qty.	Part No.	Page	Ref. No.	Qty.
1875	67	18	1	83-7057	69	6	2
1927	29	28	1	83-7058	69	27	2
83-4086	47	43	1	83-7059	47	7	2
83-4118	67	-	1	83-7060	67	-	1
83-4299	69	12	4	83-7061	67	-	1
83-4355	67	-	1	83-7062	67	-	1
83-4356	67	-	1	83-7063	67	-	1
83-4395	67	10	1	83-7064	57	34	1
83-4600	71	20	1	83-7065	67	24	1
83-4606	69	1	1	83-7066	67	25	1
83-4607	69	1	1	83-7067	69	2	1
83-4609	69	1	1	83-7068	69	2	1
83-4610	85	33	1	83-7069	43	29	1
83-4763	67	14	1				
83-4774	73	1	1	97-0200	17	24	2
83-4776	67	13	1	97-0430	31	16	2
83-4782	67	26	2	97-0961	73	-	2
83-4783	43	4	1	97-1388	69	28	2
83-4784	73	6	1	97-1388	83	25	1
83-4800	73	16	2	97-1388	83	42	2
83-4803	69	18	1	97-1425	75	2	4
83-4806	67	-	1	97-1510	53	-	2
83-4807	69	2	1	97-1527	75	35	2
83-4808	69	2	1	97-1529	75	36	4
83-4813	43	27	1	97-1580	75	38	2
83-4845	69	1	1	97-1581	75	37	2
83-4854	69	17	1	97-2125	75	11	1
83-4887	27	28	1	97-2142	75	13	1
83-4898	17	19	1	97-2208	53	47	2
83-4930	67	4	1	97-2209	53	48	4
83-4931	67	2	2	97-2210	53	49	4
83-4932	67	3	2	97-2221	75	39	2
83-4933	67	-	1	97-2262	85	24	1
83-4934	67	7	1	97-2266	51	10	1
83-4941	43	34	1	97-2291	75	32	2
83-5001	73	5	1	97-3893	51	30	2
83-5105	73	-	2	97-3894	43	32	4
83-5145	71	24	1	97-3894	51	29	2
83-5161	69	14	1	97-4001	51	28	2
83-5285	43	26	1	97-4002	51	42	2
83-5290	43	28	1	97-4003	51	31	2
83-5413	67	1	1	97-4004	51	34	2
83-5414	67	1	1	97-4009	51	32	2
83-5448	69	4	1	97-4011	51	20	2
83-5449	69	4	1	97-4012	53	51	1
83-5465	63	39	1	97-4026	81	8	1
83-6209	29	28	1	97-4028	51	13	2
83-7003	63	18	1	97-4031	51	12	2
83-7009	47	19	1	97-4076	51	19	2
83-7011	47	18	1	97-4121	53	45	1
83-7016	63	21	1	97-4125	85	16	2
83-7018	63	37	1	97-4166	51	37	2
83-7021	49	20	1	97-4203	53	46	1
83-7022	49	24	1	97-4317	51	38	1
83-7024	63	36	1	97-4325	51	35	2
83-7025	47	15	1	97-4380	51	18	2
83-7026	47	6	1	97-4381	51	2	1
83-7028	45	12	1	97-4385	51	14	1
83-7031	71	13	1	97-4387	51	40	2
83-7032	43	1	1	97-4395	51	36	2
83-7035	45	1	1	97-4396	51	1	1
83-7040	47	1	2	97-4399	51	21	1
83-7041	83	1	1	97-4406	53	-	1
83-7044	63	15	1	97-4407	53	-	1
83-7046	63	56	1	97-4450	51	23	1
83-7049	63	35	1	97-4457	51	24	1
83-7053	63	38	1	97-4461	51	41	2
83-7054	65	54	2	97-4476	51	15	1
83-7055	65	48	1	97-4480	53	43	1
83-7056	65	41	1				

Part No.	Page	Ref. No.	Qty.	Part No.	Page	Ref. No.	Qty.
77-4481	53	44	1	99-1038	29	10	1
77-4552	71	3	1	99-1048	45	22	2
77-4579	51	22	1	99-1124	27	25	1
77-4616	51	1	1	99-1124	29	25	1
7-7001	75	1	1	99-1152	27	26	1
7-7002	75	1	1	99-1152	29	26	1
97-7003	71	1	1	99-1153	27	27	1
97-7004	71	2	1	99-1153	29	27	1
				99-1161	83	32	2
				99-1191			
99-0107	45	21	4	99-1192	85	30	1
99-0122	45	22	1	99-1193	85	31	2
99-0173	81	22	1	99-1201	83	18	1
99-0225	75	10	2	99-1204	83	19	1
99-0241	75	12	1	99-1207	85	13	1
99-0244				99-1208	85	11	1
99-0248	75	3	1	99-1209	85	12	1
99-0438	27	23	1	99-1210	85	14	3
99-0438	29	20	1	99-1213	85	10	1
99-0446	29	17	1	99-1214	85	7	1
99-0454	27	17	1	99-1223	85	18	2
99-0506	27	20	1	99-1224	85	19	2
99-0506	29	20	1	99-1245	83	27	1
99-0510	27	7	1	99-1246	85	32	2
99-0511	27	22	1	99-1249	85	3	1
99-0511	29	22	1	99-1251	85	15	1
99-0512	27	18	1	99-1263	31	18	1
99-0512	29	18	1	99-1264	31	19	1
99-0513	27	19	1	99-1265	31	20	1
99-0513	29	19	1	99-1266	31	21	2
99-0514	27	21	1	99-1267	85	1	1
99-0514	29	21	1	99-2753	57	9	1
99-0515	27	13	1	99-2754	57	10	1
99-0515	29	13	1	99-2755	57	11	1
99-0516	27	12	1	99-2756	57	12	1
99-0516	29	12	1	99-2757	57	13	1
99-0517	27	24	1	99-2758	57	14	1
99-0517	29	24	1	99-2759	57	15	1
99-0520	27	14	2	99-2760	57	16	1
99-0520	29	14	2	99-2761	57	17	1
99-0521	27	4	4	99-2762	57	18	1
99-0521	29	4	4	99-2763	57	19	1
99-0527	27	5	1	99-2765	57	42	2
99-0527	29	5	1	99-2765	63	6	2
99-0528	27	9	1	99-2766	57	43	2
99-0528	29	9	1	99-2766	63	7	2
99-0537	85	17	3	99-2767	57	44	2
99-0542	73	15	1	99-2767	63	8	2
99-0548	85	9	1	99-2769	57	39	1
99-0558	85	20	1	99-2770	57	5	1
99-0589	83	9	1	99-3022	7	-	1
99-0590	83	15	1	99-3023	7	-	1
99-0638	85	4	6	99-3789	7	-	1
99-0692	85	2	1	99-3790	7	-	1
99-0719	85	42	1	99-3791	7	-	1
99-0739	9	22	1	99-3792	7	-	1
99-0769	31	22	2	99-3793	7	-	1
99-1006	41	13	1	99-3794	7	-	1
99-1028	83	40	1	99-3795	7	-	1
99-1033	27	6	1	99-3796	7	-	1
99-1033	29	6	1				
99-1034	27	16	1				
99-1034	29	16	1				
99-1035	27	15	1				
99-1035	29	15	1				
99-1036	27	8	1				
99-1036	29	8	1				
99-1037	27	11	1				
99-1037	29	11	1				
99-1038	27	10	1				



# **TRIUMPH 750 SILVER JUBILEE PARTS SUPPLEMENT**

**MERIDEN MOTORCYCLES LTD.,  
MERIDEN WORKS, ALLESLEY, COVENTRY, ENGLAND**

1-78-1000

This supplement should be read in conjunction with 99-2257 parts catalogue.

Part No.	Description	Quantity
<b>Engine</b>		
71-7056	Timing Cover (Chrome)	1
71-7036	Primary Cover (Chrome)	1
57-7022	Gearbox Outer Cover (Chrome)	1
<b>Frame Parts</b>		
60-7037	Suspension Unit (one of a thousand)	2
60-7037	Suspension Unit (Limited Edition)	2
60-3957	Suspension Unit (International)	2
83-7089	Rear Mudguard	1
83-7090	Rear Chainguard	1
97-7011	Front Mudguard	1
83-7087	Twinseat (use with 3.0 Gallon Tank)	1
83-7088	Twinseat Cover (use with 3.0 Gallon Tank)	1
83-7082	Twinseat (use with 4.0 Gallon Tank)	1
83-7086	Twinseat Cover (use with 4.0 Gallon Tank)	1
<b>Side Panels</b>		
83-7072	Side Panel L.H.	1
83-7075	Side Panel R.H.	1
83-7070	Retaining Spring Panel	1
83-7071	Rubber Pad	2
21-7021	Bolt Side Panel Securing	2
21-7022	Nut Side Panel Securing	2
70-2287	Washer for Nut (serrated)	2
83-7078	Badge L.H. (one of a thousand)	1
83-7079	Badge R.H. (one of a thousand)	1
83-7080	Badge L.H. (Limited Edition)	1
83-7081	Badge R.H. (Limited Edition)	1
83-7135	Badge L.H. (International)	1
83-7136	Badge R.H. (International)	1
14-2219	Screw for Badge	4
21-7020	Nut for Screw	4
83-7094	Housing Rear Lamp	1

Part No.	Description	Quantity
<b>Petrol Tank</b>		
83-7091	Petrol Tank 3.0 Gallon	1
83-7092	Petrol Tank 4.0 Gallon	1
83-7093	Badge Petrol Tank Centre	1
83-7138	Badge Petrol Tank L.H.	1
83-7139	Badge Petrol Tank R.H.	1
<b>Wheels</b>		
37-7036	Front Rim	1
37-7040	Front Rim Spokes & Hub Assembly	1
37-7039	Front Wheel Complete	1
37-7038	Rear Rim	1
37-7046	Rear Rim Spokes & Hub Assembly	1
37-7037	Rear Wheel Complete	1